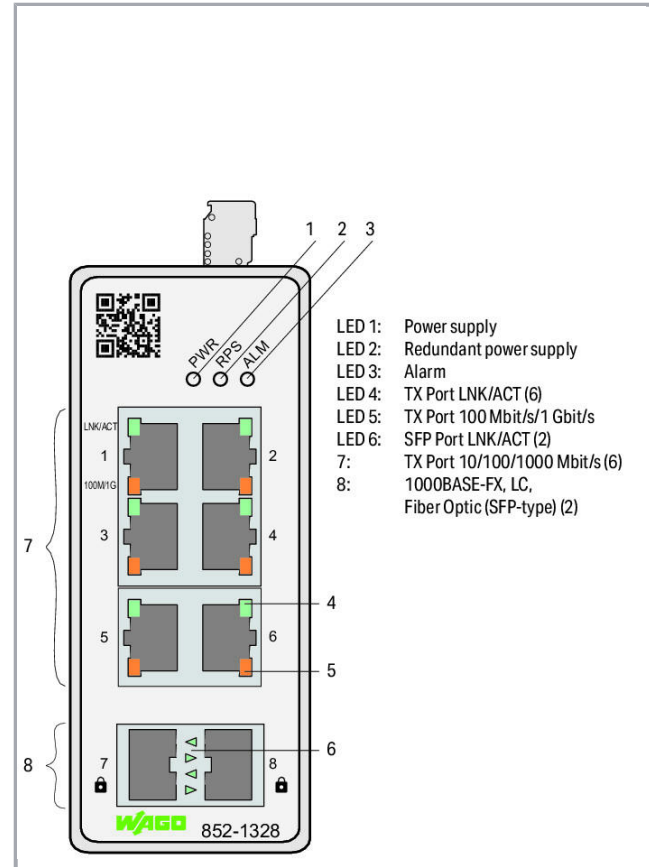


Data sheet | Item number: 852-1328

Industrial-Managed-Switch; 6-Port 1000BASE-T; 2-Slot 1000BASE-SX/LX;
MAC Security; light gray

www.wago.com/852-1328



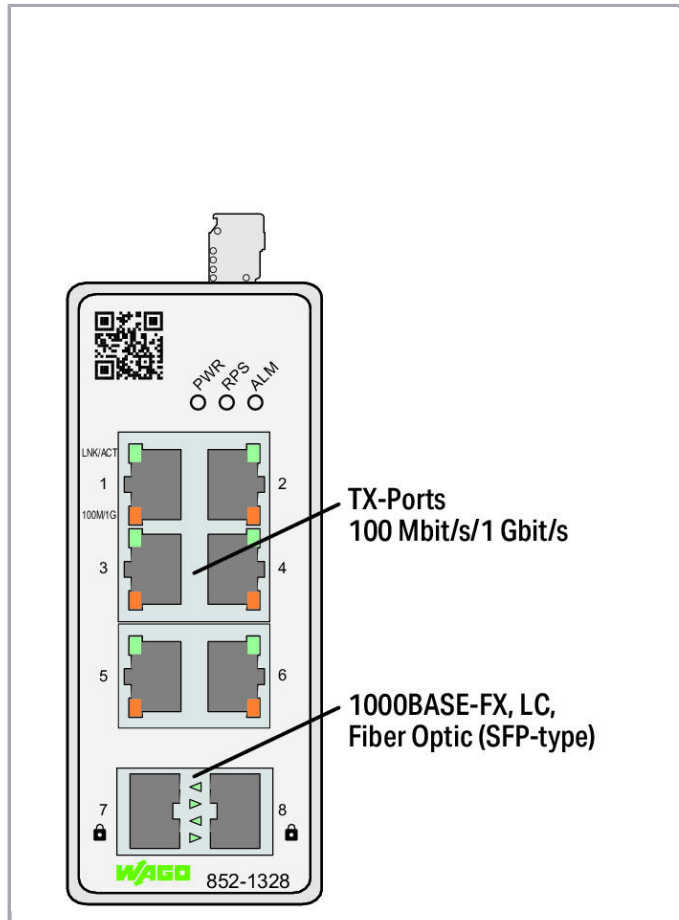
Subject to changes. Please also observe the further product documentation!

WAGO Kontakttechnik GmbH & Co. KG
Hansastr. 27
32423 Minden
Phone: +49571 887-0 | Fax: +49571 887-169
Email: info.de@wago.com | Web: www.wago.com

Do you have any questions about our products?
We are always happy to take your call at +49 (571) 887-44222.

RoHS 
Compliant

BOMcheck.net

Color: 

Item description

The 852-1328 Industrial Managed Switch is a 6-port 10/100/1000BASE-T and 2-port SFP-1000BASE-SX/LX configurable ETHERNET switch (SFP modules are optional). Data encryption complies with IEEE802.1AE (MAC Security Standard) for communication via SFP slots (ports 7 and 8). This functionality, combined with compact dimensions, makes WAGO's managed switch ideal for retrofitting network security during operation of the automation system. The customer application remains unchanged. The optional authentication of the other participants in the network is port-specific in accordance with IEEE 802.1X and RADIUS server.

Packaged in a rugged housing, this switch offers a redundant power supply.

Features:

- Web-based (HTTP(S))
- Configuration and diagnostics via SNMPv3

Subject to changes. Please also observe the further product documentation!

WAGO Kontakttechnik GmbH & Co. KG

Hansastr. 27

32423 Minden

Phone: +49571 887-0 | Fax: +49571 887-169

Email: info.de@wago.com | Web: www.wago.com

Do you have any questions about our products?

We are always happy to take your call at +49 (571) 887-44222.



- Redundant DC power supply
- Supply voltage range: 9 ... 48 VDC
- Full compliance with IEEE802.3, 802.3u, 802.3z, 802.3x, 802.3ab, 802.1p, 802.1X, 802.3az, 802.1AE standards
- Non-blocking, store-and-forward switching
- Auto-negotiation at all 10/100/1000BASE-T ports
- Auto-MDI/MDIX (crossover) at all 10/100/1000Base-T ports
- SNMP v1/v2c/v3

Note:

Available June 2020

Data

Technical Data

Switching mode	Store-and-forward; non-blocking
Number of 1000Base-T ports	6
Number of 1000Base SX/LX ports	2
Communication standards	IEEE 802.3 10BASE-T IEEE 802.3u 100BASE-TX IEEE 802.3ab 1000BASE-T IEEE 802.3z 1000BASE-SX/LX IEEE 802.3x Flow Control IEEE 802.1p Prioritization IEEE 802.1x Port Authentication IEEE 802.3az Energy Efficient Ethernet IEEE 802.1AE MAC Security
Redundancy function	Redundant DC power supply
Configuration options	Web-based (HTTP(S)) SNMPv1/v2c/v3
Diagnostics	Modbus TCP; Port status; Syslog; SNMP traps
MAC table (size)	16000 addresses
Supply voltage	DC 9 ... 48 V
Power consumption (max.)	5.8 W
ESD (contact/air discharge)	8 KV / 15 KV
Baud rate	Copper cable: 10/1000 Mbit/s; Fiber optic:1000 Mbit/s
Indicators	Device: LED (PWR, RPS) green: Power supply (primary), redundant power supply (secondary); LED (ALM) red: Alarm; per port: LED (100M/1G, LNK/ACT) green: Status 100 Mbit/s/1 Gbit/s, LNK/ACT ports 1 ... 6; LED port 7, 8 green: Status of fiber optic ports

Subject to changes. Please also observe the further product documentation!

WAGO Kontakttechnik GmbH & Co. KG
 Hansastr. 27
 32423 Minden
 Phone: +49571 887-0 | Fax: +49571 887-169
 Email: info.de@wago.com | Web: www.wago.com

Do you have any questions about our products?
 We are always happy to take your call at +49 (571) 887-44222.



Connection data

Connection technology: communication/fieldbus	Copper cable: 6 x RJ-45; Fiber optic: 2 x SFP; LC fiber-optic connector
Connection technology: supply	1 x Built-in male connector: 231-435/001-000; included female connector (MCS Connectors): 2231-105/026-000

Geometrical Data

Width	45,3 mm / 1.783 inch
Height	110 mm / 4.331 inch
Depth	92 mm / 3.622 inch

Mechanical data

Weight	639 g
Color	light gray

Environmental Requirements

Surrounding air temperature (operation)	-20 ... 70 °C
Surrounding air temperature (storage)	-40 ... 80 °C
Protection type	IP30
Relative humidity (without condensation)	95 %
Mounting type	DIN-35 rail
Vibration resistance	per IEC 60068-2-6
Shock resistance	per IEC 60068-2-27
EMC immunity to interference	per EN 61000-6-2
EMC emission of interference	per EN 55011; 55024; 55032 (Class A + B); 61000-6-3, -4

Commercial data

Packaging type	BOX
Country of origin	TW
GTIN	4055143978415
Customs tariff number	85176200000

Counterpart

Subject to changes. Please also observe the further product documentation!

WAGO Kontakttechnik GmbH & Co. KG
 Hansastr. 27
 32423 Minden
 Phone: +49571 887-0 | Fax: +49571 887-169
 Email: info.de@wago.com | Web: www.wago.com

Do you have any questions about our products?
 We are always happy to take your call at +49 (571) 887-44222.

Compatible products

transfer module



Item no.: 289-195

Interface module; RJ-45; IDC technology; Cat. 6; in mounting carrier; with shield connection

www.wago.com/289-195

wiring and connectors



Item no.: 750-976

PROFINET RJ-45 connector, IP20; ETHERNET 10/100 Mbit/s; for field assembly

www.wago.com/750-976



Item no.: 750-977/000-011

Connector ETHERNET; RJ-45; Cat. 6A; straight; Code T568A; AWG 22

www.wago.com/750-977/000-011



Item no.: 750-977/000-012

Connector ETHERNET; RJ-45; Cat. 6A; straight; Code T568B; AWG 22

www.wago.com/750-977/000-012



Item no.: 750-977/000-013

Connector PROFINET; RJ-45; Cat. 6A; straight; AWG 22

www.wago.com/750-977/000-013



Item no.: 750-977/000-021

Connector ETHERNET; RJ-45; Cat. 6A; straight; Code T568A; AWG 24

www.wago.com/750-977/000-021



Item no.: 750-977/000-022

Connector ETHERNET; RJ-45; Cat. 6A; straight; Code T568B; AWG 24

www.wago.com/750-977/000-022



Item no.: 750-978/000-011

Connector ETHERNET; RJ-45; Cat. 6A; straight; Code T568A; AWG 22; Strain relief

www.wago.com/750-978/000-011



Item no.: 750-978/000-012

Connector ETHERNET; RJ-45; Cat. 6A; straight; Code T568B; AWG 22; Strain relief

www.wago.com/750-978/000-012



Item no.: 750-978/000-013

Connector PROFINET; RJ-45; Cat. 6A; straight; AWG 22; Strain relief

www.wago.com/750-978/000-013



Item no.: 750-978/000-021

Connector ETHERNET; RJ-45; Cat. 6A; straight; Code T568A; AWG 24; Strain relief

www.wago.com/750-978/000-021

Subject to changes. Please also observe the further product documentation!

WAGO Kontakttechnik GmbH & Co. KG

Hansastr. 27

32423 Minden

Phone: +49571 887-0 | Fax: +49571 887-169

Email: info.de@wago.com | Web: www.wago.com

Do you have any questions about our products?

We are always happy to take your call at +49 (571) 887-44222.



Item no.: 750-978/000-022
Connector ETHERNET; RJ-45; Cat. 6A; straight; Code T568B; AWG 24; Strain relief

www.wago.com/750-978/000-022



Item no.: 750-979/000-011
Connector ETHERNET; RJ-45; Cat. 6A; angled; Code T568A; AWG 22; Strain relief

www.wago.com/750-979/000-011



Item no.: 750-979/000-012
Connector ETHERNET; RJ-45; Cat. 6A; angled; Code T568B; AWG 22; Strain relief

www.wago.com/750-979/000-012



Item no.: 750-979/000-013
Connector PROFINET; RJ-45; Cat. 6A; angled; AWG 22; Strain relief

www.wago.com/750-979/000-013



Item no.: 750-979/000-021
Connector ETHERNET; RJ-45; Cat. 6A; angled; Code T568A; AWG 24; Strain relief

www.wago.com/750-979/000-021



Item no.: 750-979/000-022
Connector ETHERNET; RJ-45; Cat. 6A; angled; Code T568B; AWG 24; Strain relief

www.wago.com/750-979/000-022

General accessories



Item no.: 852-1200
SFP Module 1000BASE; SX Multi-Mode 850 nm LC; 0.55 km; Extended temperature range; DDM; silver-colored www.wago.com/852-1200



Item no.: 852-1210
SFP Module 1000BASE; LX Single-Mode 1310 nm LC; 10 km; Extended temperature range; DDM; silver-colored www.wago.com/852-1210



Item no.: 852-1280
SFP Module 1000BASE; ZX Single-Mode 1550 nm LC; 80 km; Extended temperature range; DDM; silver-colored www.wago.com/852-1280



Item no.: 852-201/107-002
SFP module 2: 1310nm; 100Base-FX Multi-Mode LC; 2 km; silver-colored www.wago.com/852-201/107-002



Item no.: 852-201/107-030
SFP module 30: 1310nm; 100Base-FX Single-Mode LC; 30 km; silver-colored www.wago.com/852-201/107-030

power supply



Item no.: 787-1602
Switched-mode power supply; Classic; 1-phase; 24 VDC output voltage; 1 A output current; NEC Class 2; DC OK signal www.wago.com/787-1602







Item no.: 787-1606
Switched-mode power supply; Classic; 1-phase; 24 VDC output voltage; 2 A output current; NEC Class 2; DC OK signal www.wago.com/787-1606



Item no.: 787-1622
Switched-mode power supply; Classic; 1-phase; 24 VDC output voltage; 5 A output current; TopBoost; DC OK contact www.wago.com/787-1622

Subject to changes. Please also observe the further product documentation!

	Item no.: 787-1623 Switched-mode power supply; Classic; 1-phase; 48 VDC output voltage; 2 A output current; DC OK signal	www.wago.com/787-1623
	Item no.: 787-1632 Switched-mode power supply; Classic; 1-phase; 24 VDC output voltage; 10 A output current; TopBoost; DC OK contact	www.wago.com/787-1632
	Item no.: 787-1633 Switched-mode power supply; Classic; 1-phase; 48 VDC output voltage; 5 A output current; TopBoost; DC OK contact	www.wago.com/787-1633
	Item no.: 787-1635 Switched-mode power supply; Classic; 1-phase; 48 VDC output voltage; 10 A output current; TopBoost; DC OK contact	www.wago.com/787-1635

Downloads

Documentation

Manual

Managed Switch; MAC Security	V 1.0.0 2020.05.28.	pdf 3.2 MB	Download
------------------------------	------------------------	---------------	----------

System Description

Industrial Switches – General Product Information		pdf 2.0 MB	Download
---	--	---------------	----------

Handling Instructions

Subject to changes. Please also observe the further product documentation!

WAGO Kontakttechnik GmbH & Co. KG
Hansastr. 27
32423 Minden
Phone: +49571 887-0 | Fax: +49571 887-169
Email: info.de@wago.com | Web: www.wago.com

Do you have any questions about our products?
We are always happy to take your call at +49 (571) 887-44222.