

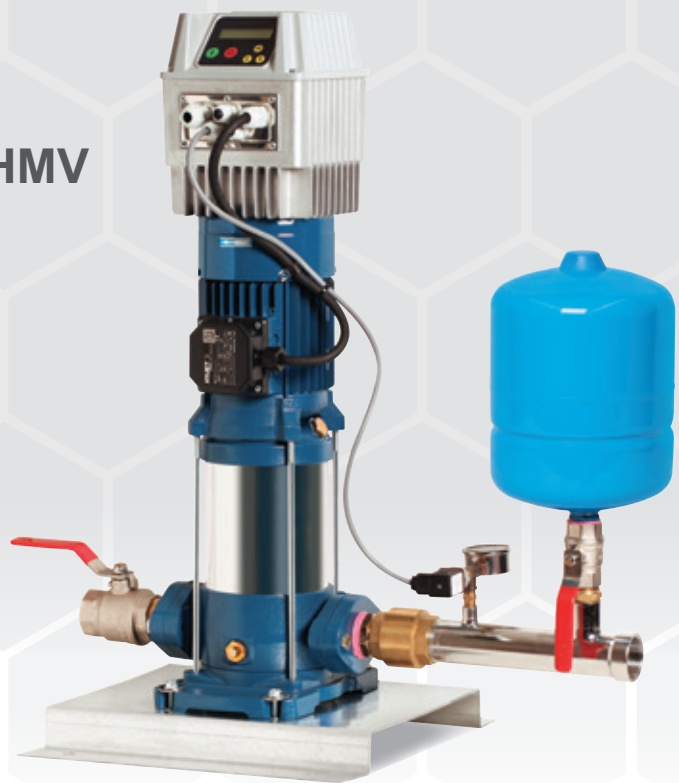
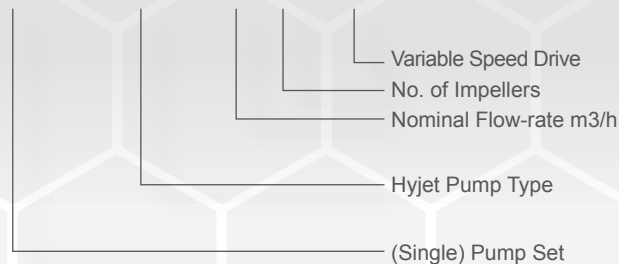
WATER SUPPLY & PRESSURE PUMPS

Variable Speed Vertical Multistage Booster Sets

1P-HMV

IDENTIFICATION CODES

1P HMV 5-7-E1



VSD CONTROLLER AND CONNECTION

- 1 x VSD directly mounted on board of the pumps with pre-set parameters in accordance to the connected pump; available solution with E1 VSD (for pumps up to 2kW with single phase input voltage) or with E109 – E385 VSD (single phase input voltage up to 3 kW and with three phase input voltage up to 45 kW. (See VSD specifications on pages 107-109)

CONSTRUCTION FEATURES

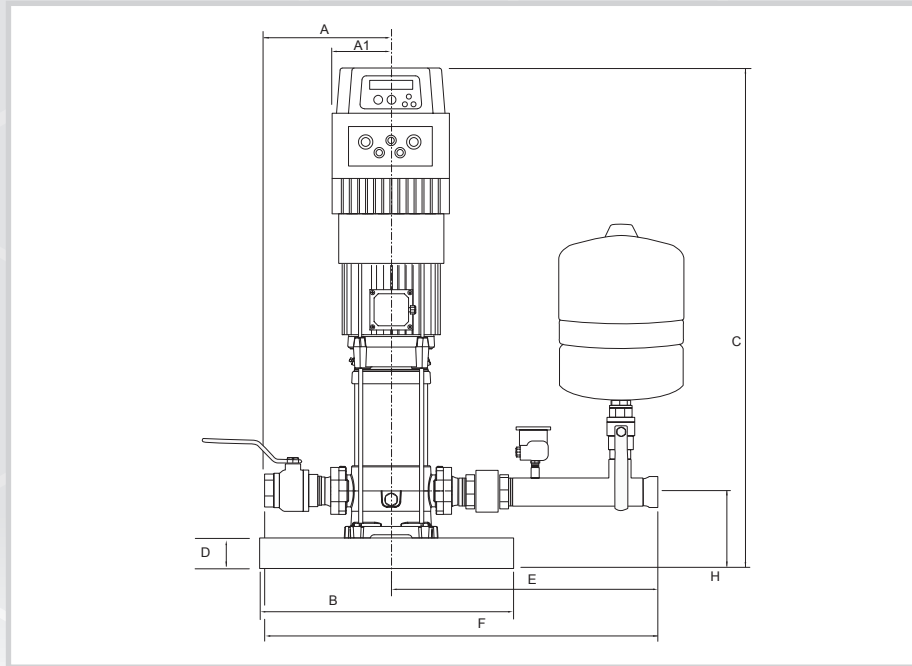
- 1 x HMV Series vertical multistage electric pump.
- Stainless steel delivery manifold, fitted with single check valve and outlet connections for pressure sensors and pressure tank.
- Unit base and support for control panel in galvanised steel.
- Check valve installed on delivery side of pump.
- Ball valves fitted to suction side and pressure tank outlet.
- Pressure gauge with radial connection.
- 1 x E Series VSD with set parameters in accordance to the connected pump.
- Pressure sensor connected on the outlet manifold and electrically connected to VSD.
- On request: Pressure tanks 8 litre – 100 litre

1P-HMV3 TECHNICAL DATA

Type	P2		Ampere	Q (m ³ /h - l/min)							
				0	10	20	30	40	60	80	
1~			1~	0	10	20	30	40	60	80	
			0	10	20	30	40	60	80		
			1x230V 50 Hz	H (m)							
1P-HMV3-7-E1	1.5	1.1	6.4	80.1	77.7	74.2	69.1	63.3	48.8	30	
1P-HMV3-9-E1	2	1.5	7.7	103	100	95.4	89	81.4	62.7	38.6	

1P-HMV5 TECHNICAL DATA

MODEL	P2		AMPS	Q (l/min)							
				0	30	40	60	80	100	120	140
			1x230V	H (m)							
1P-HMV5-7-E1	2	1.5	8.7	81	75.5	73	67.4	60.3	51	38.6	21
1P-HMV5-10-E114	3	2.2	11.9	114.2	106.4	102.9	95.2	85.2	72.0	53.3	30



DIMENSIONS

MODEL	DIMENSIONS (mm)								DNA	DNM
	A	A1	B	C	D	E	F	H		
1P-HMV3-7-E1	208	90	400	785	50	418	620	100	32mm	32mm
1P-HMV3-9-E1	208	90	400	833	50	418	620	100	32mm	32mm
1P-HMV5-7-E1	208	90	400	785	50	418	620	100	32mm	32mm
1P-HMV5-10-E114	208	90	400	902	50	418	620	100	32mm	32mm
1P-HMV9-6-E114	228	90	400	871	50	438	640	130	40mm	40mm
1P-HMV9-7-E309	228	90	400	871	50	438	640	130	40mm	40mm
1P-HMV9-10-E311	228	90	400	1026	50	438	640	130	40mm	40mm
1P-HMV18-4-E114	228	90	400	853	50	438	640	140	50mm	50mm
1P-HMV18-6-E311	228	90	400	961	50	438	640	140	50mm	50mm
1P-HMV18-9-E318	228	90	400	1120	50	438	640	140	50mm	50mm

1P-HMV7 TECHNICAL DATA

MODEL	P2		Q (l/min)													
			0	60	80	100	120	140	160	180	200	220	240	260		
	(HP)	(kW)	230V	415V	H (m)											
1P-HMV9-6-E114	3	2.2	12.5		71.8	64.9	63	59.9	57	53.7	49.7	44.3	37	29.5	20.8	11.1
1P-HMV9-7-E309	4	3		5.8	83.3	76.7	74.9	71.8	68.3	64.6	59.9	53.5	44.8	35.9	25.7	14.3
1P-HMV9-10-E311	5.5	4		8.3	122	112.8	110.5	106.5	102.2	97.3	91.6	82.8	70.7	57.1	42.3	26.5

1P-HMV9 TECHNICAL DATA

MODEL	P2		Q (l/min)																	
			0	100	120	140	160	180	200	220	240	260	280	300	320	340	360	380	400	
	(HP)	(kW)	H (m)																	
1P-HMV18-4-E114	4	3	5.7	47.9	45	44	42.8	41.7	40.5	39.1	37.8	36.6	35.2	33.9	32.2	30.2	28	25.1	22.1	18.1
1P-HMV18-6-E311	5.5	4	8.7	70.5	66.4	65	63.6	62	60.5	58.9	57.2	55.4	53.5	51.5	49.3	46.3	43.3	39.4	34.9	30.4
1P-HMV18-9-E318	9	6.6	12.7	106.4	101.8	100.4	98.6	96.1	93.5	91	88.2	85.5	82.7	79.7	76.2	72.1	66.9	60.8	53.7	46.1

WATER SUPPLY & PRESSURE PUMPS

