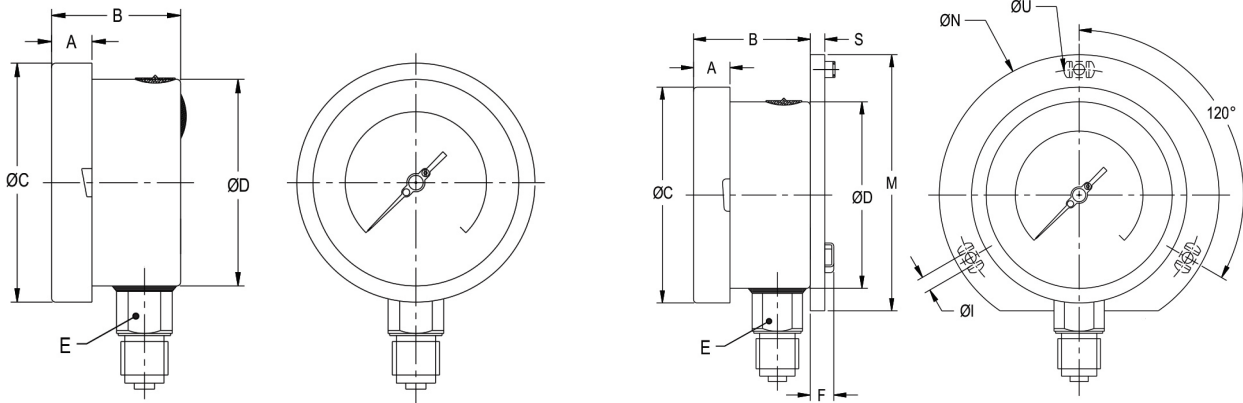




150mm LM Stainless Steel Pressure Gauge

Case and bezel material:	304 Stainless Steel Liquid Fillable
Connection:	316L Stainless Steel
Bourdon tube material:	316L Stainless Steel
Working temperature:	Ambient = -25~65°C, Process = +300°C
Dial:	Aluminium, Black Print on White Background
Ranges:	-100~0 kPa to 0~160,000 kPa
Connection:	1/2" NPT Lower Mount
Window:	Shatterproof Safety Glass
Blowout Protection:	Rubber Disc on the Back
Surge Protection:	Internal Restrictor
Over Range Protection:	125% of Full Scale up to 10,000 kPa 115% of Full Scale above 10,000 up to 60,000 kPa 110% of Full Scale above 60,000 up to 160,000 kPa
Movement:	304 Stainless Steel
Pointer:	Micro-Adjustable
Accuracy:	1.0% of Full Scale
Protection Rating:	IP65



Dimensions in mm

Type	A	B	ØC	ØD	E	M	S	F	ØI	ØN	ØU
AL-H-2	15	49	161	149	22	174.5	6	14.5	6	186	168

Range (in kPa)	Lower Mount P/N	Range (in kPa)	Lower Mount P/N	Accessories
-100-0	2701512RB	0-1600	2701524RB	Back Flange P/N: 2701996RB
-100/+150	On Request	0-2500	2701526RB	Glycerine Filling P/N: 2701995
-100/+300	On Request	0-4000	2701528RB	Restrictor 0.5 mm P/N 2701988RB
-100/+500	On Request	0-6000	2701530RB	Restrictor 0.9 mm P/N 2701989RB
-100/+900	On Request	0-10000	2701532RB	Safety Glass Lens P/N 2701990RB
-100/+1500	On Request	0-16000	2701534RB	Pig-tail Sch80 316SS 1/2" NPT M & F P/N: 2911103RB
0-60	2701510RB	0-25000	2701536RB	Adjustable Restrictor 1/2" NPT M & F P/N: 2911130
0-100	On Request	0-40000	2701538RB	Block and Bleed valve 1/2" NPT M & F P/N: 7068530
0-160	2701515RB	0-60000	2701542RB	Gauge Cock 1/2" NPT M & F P/N: 7069000
0-250	2701514RB	0-100000	On Request	Maximum Pointer P/N: 2701981RB
0-400	2701516RB	0-140000	On Request	Diaphragm seals: Please contact us with process details
0-600	2701518RB	0-160000	On Request	
0-800	2701520RB			
0-1000	2701522RB			
Weight gms	1020	Add 740 gms for glycerine filling		

Revision: 0120

The data provided above is for information purposes only and no warranty of accuracy or reliability is given.
Ross Brown Sales Pty Limited reserves the right to change or modify this data without prior notice.