

Overview

These heated/ambient Grab & Go display units have additional feet for Counter Top mounting. LED illumination for increased food presentation. Heated models use a Duplex tangential fan heating module. Providing a constant free flowing laminar of warm air recirculating through the cabinet. The warm air flow curtain also acts as an invisible protective barrier to fly's and pests. With accurate digital control, these hot air stream display units are designed to maintain pre-heated, cooked food at a regulated temperature. Suitable for the display of a variety of hot snacks, soup and noodle pot meals etc. Complete with adjustable height and angle shelving. Additionally, a handy food bag/tongs holder box is fitted to the front for easy service.



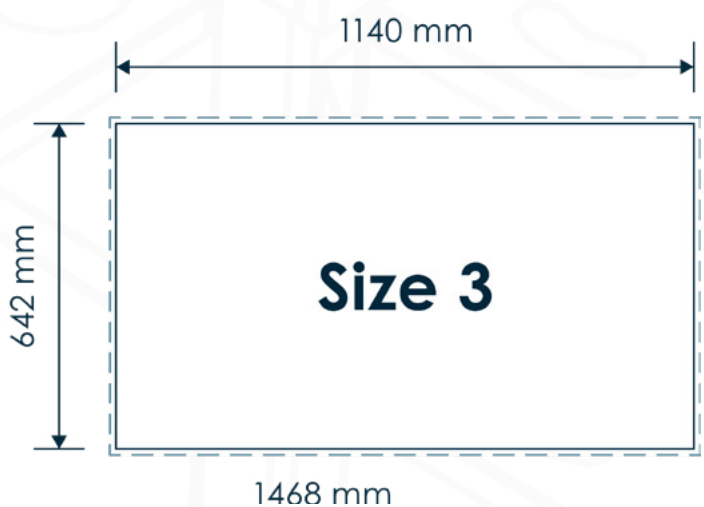
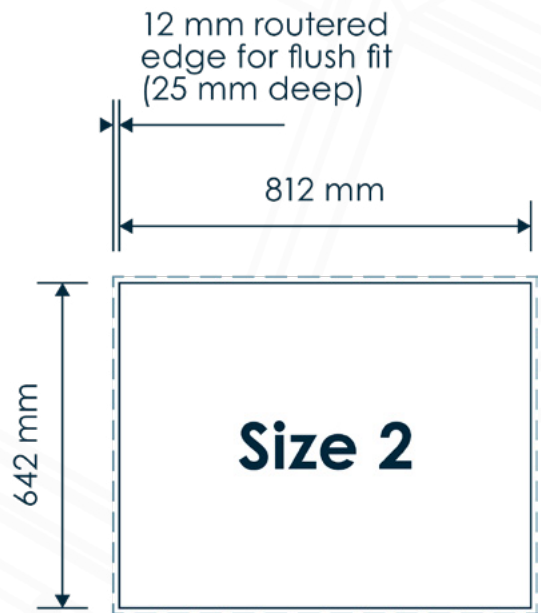
Features:


Cut-Out Dimensions:

- Feet allow the option for table-top mounting
- Very fast heat up and recovery time
- Digital thermostat and controls housed conveniently within the cabinet hood for easy access
- Hot Display models use unique free-flow Tangential fan, supplying a clean laminar air flow
- Low maintenance, easy to clean, and highly efficient with recirculating hot air.
- Smooth sliding doors allow for easy loading
- Adjustable shelving is removable for easy cleaning
- 24-hour operation
- Self-contained unit. Electrics are integral no awkward fitting under counter control boxes.
- Fully insulated

Options:

- Front Roller Blind (+ "RB" to end of model code)





innovation

Duplex Tangential fan heating system provides a constant free flowing laminar of warm air recirculating through the cabinet.

	Model	Heated/ Ambient	Weight (kg)	L x W (mm)	Height above display top	No. of Display Shelves	LED Roll Lighting	Electrical Supply	Power Rating (kw)
1. Curved Glass Open Front	D2GH	Heated	66	830 x 660	750	3	Yes	15amp	2.5
	D3GH	Heated	87	1158 x 660	750	3	Yes	15amp	2.5
	D2GA	Ambient	61	830 x 660	750	3	Yes	10amp	0.02
	D3GA	Ambient	82	1158 x 660	750	3	Yes	10amp	0.02
2. Curved Glass Closed Front	D2GHF	Heated	74	830 x 660	750	3	Yes	15amp	2.5
	D3GHF	Heated	97	1158 x 660	750	3	Yes	15amp	2.5
	D2GAF	Ambient	69	830 x 660	750	3	Yes	10amp	0.02
	D3GAF	Ambient	92	1158 x 660	750	3	Yes	10amp	0.02
3. Curved Glass Front Control (back to wall)	D2GHFC	Heated	60	830 x 660	750	3	Yes	15amp	2.5
	D3GHFC	Heated	81	1158 x 660	750	3	Yes	15amp	2.5
	D2G AFC	Ambient	55	830 x 660	750	3	Yes	10amp	0.02
	D3G AFC	Ambient	76	1158 x 660	750	3	Yes	10amp	0.02
4. Square Glass Open Front	D2GHSL	Heated	68	830 x 660	750	3	Yes	15amp	2.5
	D3GHSL	Heated	90	1158 x 660	750	3	Yes	15amp	2.5
	D2GASL	Ambient	62	830 x 660	750	3	Yes	10amp	0.02
	D3GASL	Ambient	83	1158 x 660	750	3	Yes	10amp	0.02
5. Square Glass Closed Front	D2GHSLF	Heated	68	830 x 660	750	3	Yes	15amp	2.5
	D3GHSLF	Heated	90	1158 x 660	750	3	Yes	15amp	2.5
	D2GASLF	Ambient	62	830 x 660	750	3	Yes	10amp	0.02
	D3GASLF	Ambient	84	1158 x 660	750	3	Yes	10amp	0.02
6. Square Glass Front Control (back to wall)	D2GHSLFC	Heated	62	830 x 660	750	3	Yes	15amp	2.5
	D3GHSLFC	Heated	84	1158 x 660	750	3	Yes	15amp	2.5
	D2GASLFC	Ambient	61	830 x 660	750	3	Yes	10amp	0.02
	D3GASLFC	Ambient	82	1158 x 660	750	3	Yes	10amp	0.02

