

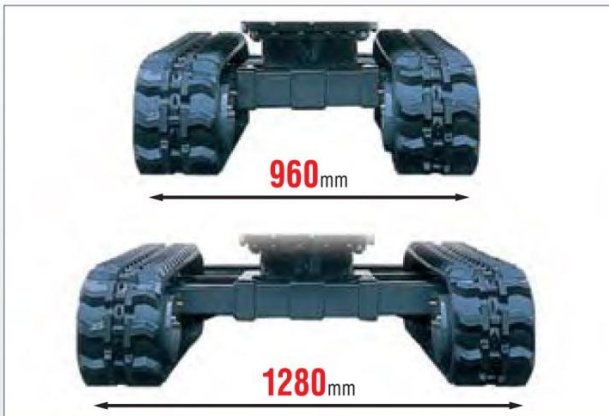
The 1.7-ton zero tail swing machine with spanner possible to access 1m wide areas.

17VX³



Operability

■ **Equipped with wide spanner**



With the widest ranging spanners in its class, the machine can access into tight spaces to ensure a very high level of work performance.

■ **Accessible to 1m wide narrow spaces**



The upper structure has a width of 980mm. It can be into space as narrow as 1 meter when the undercarriage is retracted.

■ **Quick pattern changer (optional)
Retractable dozer blade extension (optional)**



The blade width can be easily adjusted, offering you the flexibility to fit the job. Adjustment is simple and easy with the two fastening pins.

- **Powerful bucket digging force : 16.4kN**
- **Excellent work ability for close-skimming**
- **Equipped with 3-pump system**
- **Comfortable joystick control with armrest**
- **Smallest front radius in its class : 1280mm**

Easy Maintenance

■ **Wide, fully opening engine-cover enables ease of maintenance**



The fully opening engine cover achieves simply maintenance. And the radiator and oil cooler are made of aluminum for super corrosion resistance.

■ **Segmented boom cylinder hose design makes replacement easier**



- **Corrosion-free, resin fuel-tank**
- **Highly anti-corrosive aluminum radiator**

Durability

- **Thick rubber shoe provides higher durability**
- **Rugged steel-pressed, engine cover**
- **Highly durable blade**
- **Bucket cylinder hose built inside the arm**

Safety

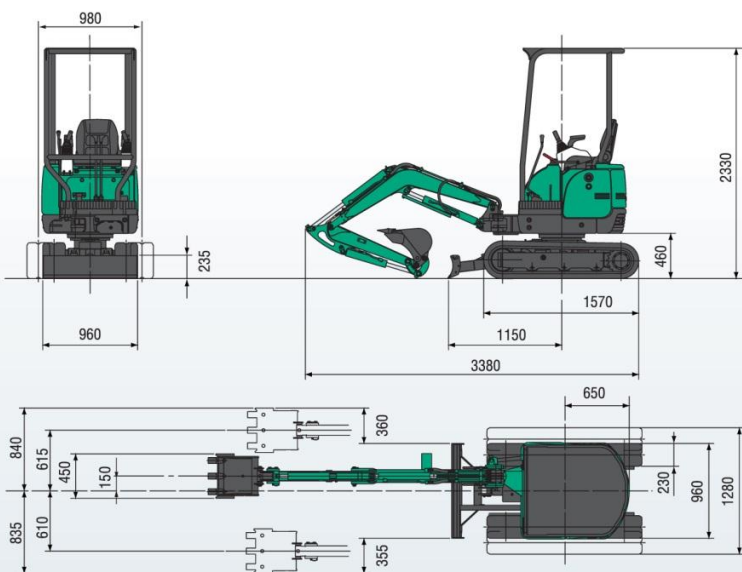
- **Swing motor with automatic parking brake**
- **Gate lock system as standard equipment**
- **4-Post canopy (ROPS) as standard equipment**

17VX3 Mini Excavator

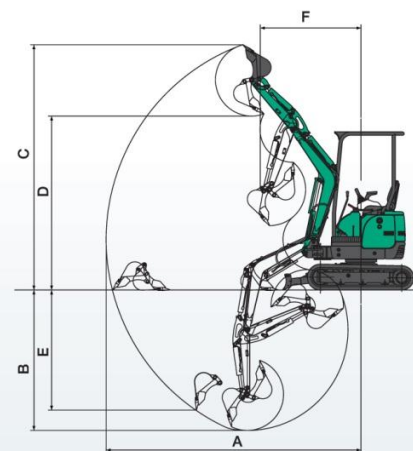
Standard Bucket Capacity : ISO 0.044m³



■ Dimensions (Unit:mm)



■ Working Range (Unit:mm)



	4-Post canopy	2-Post canopy
A Max. digging radius	3760 (3990)	3760 (3990)
B Max. digging depth	2100 (2350)	2100 (2350)
C Max. digging height	3610 (3810)	3610 (3810)
D Max. dumping height	2560 (2760)	2560 (2760)
E Max. vertical digging depth	1770 (2010)	1770 (2010)
F Min. front turning radius	1490 (1580)	1490 (1580)
At right boom swing	1280 (1340)	1280 (1340)

※ () : Figures for long arm

■ 17VX3 Specifications

Performance		Boom swing system	
Bucket capacity	0.044m ³	Type	Boom offset with hydraulic cylinder
Bucket width	450mm	Swing angle (L/R)	80°/55°
Operating weight: 4-Post(Cabin)	1625kg (1595kg)	Hydraulic system	
Transportation weight: 4-Post(Cabin)	1550kg (1520kg)	Pressure	20.6MPa (210kgf/cm ²), 18.1MPa (185kgf/cm ²)
Swing speed	9.5min ⁻¹	Pump hydraulic flow	17.2L/min×2+12L/min
Travel speed (low/high)	2.1/4.0km/h	Dozer blade	
Gradeability	58%(30°)	Size	960mm×235mm
Ground pressure	26.2kPa (0.27kgf/cm ²)	Lift above ground / Drop below ground	275mm/310mm
Max bucket digging force	16.4kN(1670kgf)	Max auxiliary flow	
Engine		Auxiliary line	29L/min
Model	YANMAR 3TNV70		
Rated output	10.5kW/2300min ⁻¹ (14.3PS/2300 rpm)		
Fuel tank capacity	20L		

■ Options

Bucket

- 0.024m³/Digging bucket (300mm width)
- 0.033m³/Long arm bucket (350mm width)
- 0.055m³/Loading bucket (500mm width)

- Auxiliary piping ①
- 2-Post canopy ②
- Additional dozer blade ③
- Rubber pad for steel shoe
- Long arm (standard +250mm)
- Steel shoe (230mm)
- Additional counterweight (100kg)



①



②



③