

Quartz (AMC 2530)

A general scanning couch with a cut-away section, allowing the transducer to be positioned more easily for some cardiac views.

Electric adjustments of height and back rest.

Designed to reduce OH&S risks and minimise manual handling.



*Pictured central wheel locking not included as standard. Available as an optional customisation.



5 Year warranty
on electrical components



Lifetime warranty
on frame and workmanship



Australian Made

Features

- › Adjustments of height (hi/lo) and back rest made with high quality electric actuators, reducing OH&S risks.
- › Supplied with foot control switch for hands free operation.
- › Permanent opening for cardiac scanning.
- › Carefully considered base design allows easy side access for practitioners and patients.
- › Access under couch for patient lifting devices.
- › Low minimum height the gives patients the ability to easily get on and off the couch.
- › 125mm lockable wheels allow easy movement of the couch.

Basic specifications

Width: 700mm
Length: 1970mm
Back rest tilt: 75°
Height adjustment: 550mm -1000mm
Lifting capacity: 200kg
Wheels: 125mm lockable castors

Optional customisations

- › Hand switch control
- › Battery pack
- › Head cushion
- › Paper roll holder
- › Wide variety of fabric colours available
- › Padded swivel arm rest set
- › Standard arm rest set
- › Fold down side rails
- › Central wheel locking



Majac Medical Products Pty Ltd

Ph: +617 3265 6355

Fax: +617 3865 2729

sales@majacmedical.com.au

www.majacmedical.com.au

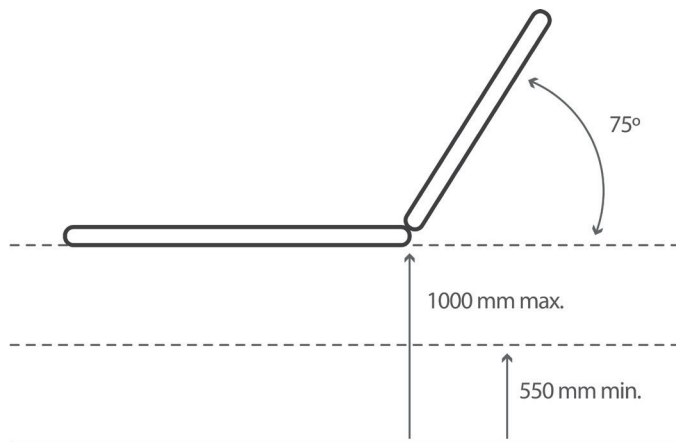


FS 540017

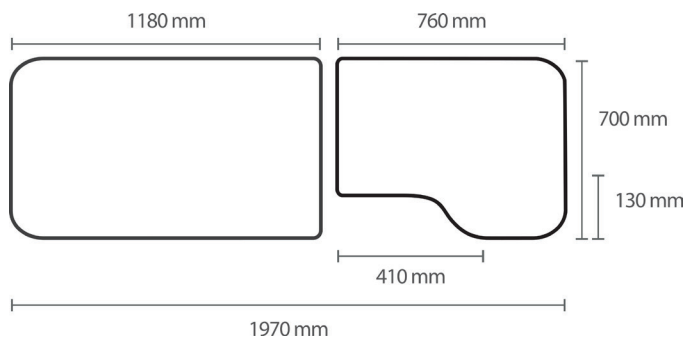
Also Available From:

Quartz (AMC 2530)

Side view



Top view



Optional customisations



Head cushion



Central wheel locking



Fold down side rails



Paper roll holder

Detailed specifications

Head section length: 760mm

Middle section length: N/A

Foot section length: 1180mm

Vinyl specifications:

UV resistant

Flame resistant

Easy to clean

Reduces growth of bacteria

Complies with AS 1530.3 standards

Variety of colours available

Foam specifications: 50mm foam

Frame material and colour:

Powder coated white frame

Australian steel

Wheel system:

Individual 125mm brake castors made by Tente

Drive actuators:

Back rest: Linak electric actuator system

Hi/lo: Linak electric actuator system

Electrical specifications: 230V 50-60 Hz

Electrical standards: IPX4 rating

Lift capacity: 200kg

Shipping weight: 70 - 85 kg

Shipping dimensions:

2130mm x 820mm x 700mm

Freight charges:

Not included in sale price.

Contact our sales representatives for a quote.

ARTG number: 208309

Warranty:

Lifetime on frame and workmanship

5 years on electrical components