

WATER SUPPLY & PRESSURE PUMPS

Peripheral Pumps

PM SERIES



EURO RANGE

APPLICATION

Peripheral positive displacement pumps with frontal suction for small household systems and simple industrial applications; characterised by a considerable ratio between performance and required output.

CONSTRUCTION FEATURES

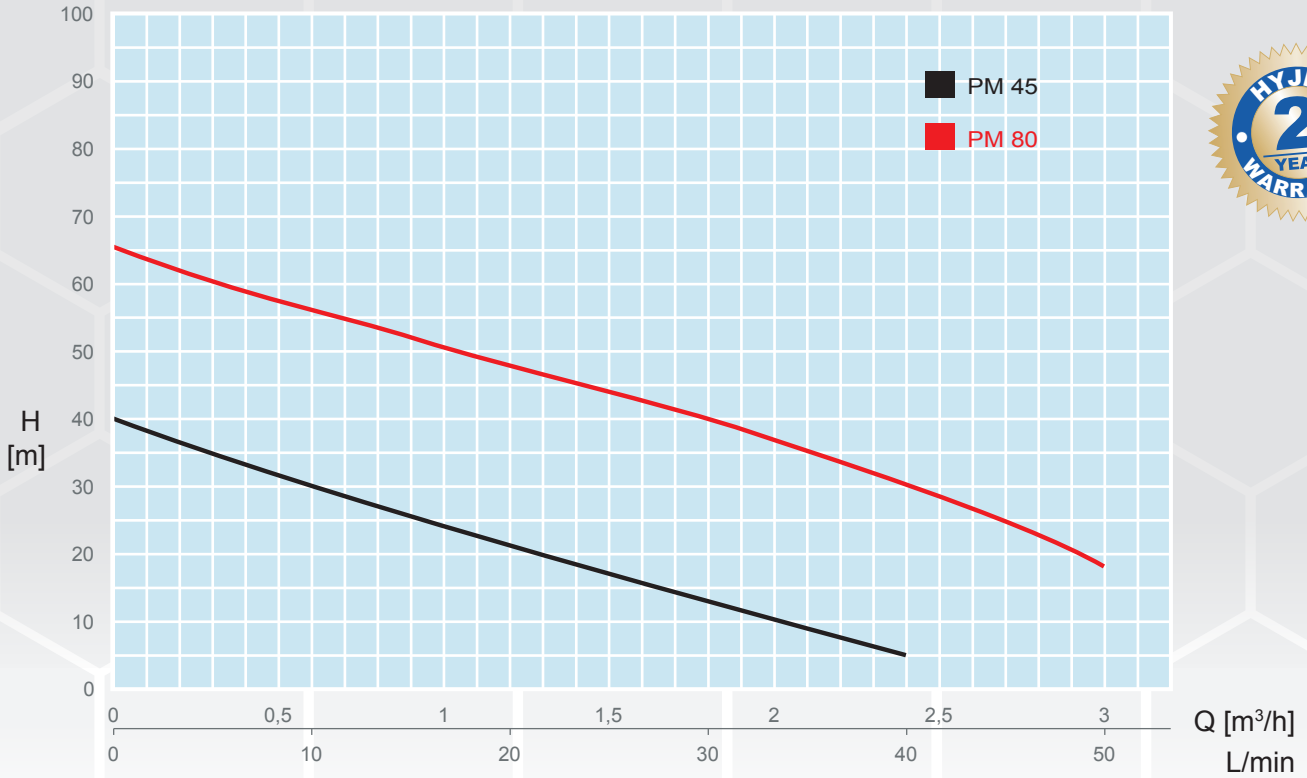
Pump body	Cast iron
Motor bracket	Cast iron, cast iron or bronze
Impeller	Brass
Mechanical seal	Ceramic-graphite
Motor shaft	Stainless steel AISI 416
Liquid temperature	0 - 90 °C
Operating pressure	Max 6 bar (PM 45), Max 8 bar (PM 65, PM 80)

MOTOR

2 Pole induction motor	3~ 240/400V-50Hz, 1~240V 50Hz, With thermal protection
Insulation class	F
Protection degree	IP44

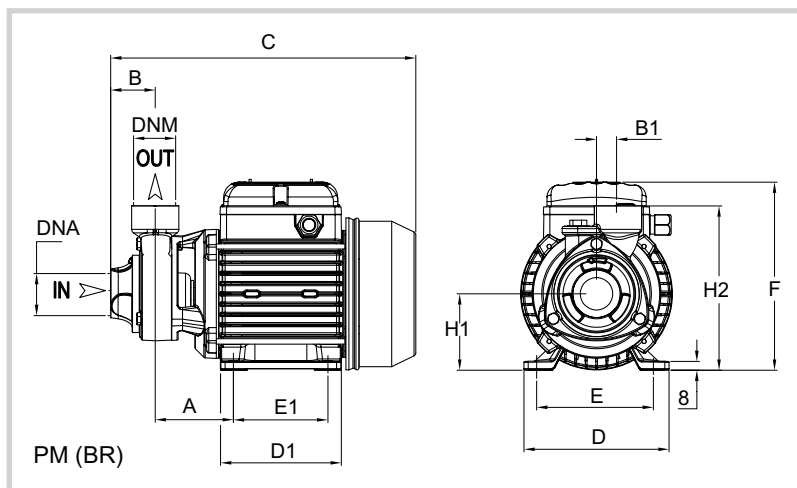
MODEL RANGE

Code	Description
PM45	HYJET 0.37KW 240V Peripheral Pump with 2.5m Cable & 3 Pin Plug
PM80	HYJET 0.74KW 240V Peripheral Pump with 2.5m Cable & 3 Pin Plug



TECHNICAL DATA

Type		P2		P1 (kW)		Ampere		Q (m³/h - l/min)							
1~	3~	(HP)	(kW)	1~	3~	1~	3~	0	0.3	0.6	1.2	1.8	2.4	2.7	3
						1x230V	3x400V	0	5	10	20	30	40	45	50
						50 Hz	50 Hz	H (m)							
PM45	PMT45	0.5	0.37	0.5	0.5	2.3	1	40	35	30	21	13	5	-	-
PM80	PMT80	1	0.74	1.1	1.1	5.2	2	65	61	56	48	39	31	25.1	18



DIMENSIONS

Type	Dimensions (mm)																
	A	B	B1	C	D	D1	E	E1	F	H1	H2	DNA	DNM	I	L	M	
PM45	63	50	20	260	120	101	100	80	158	63	143	1"G	1"G	265	150	175	6.5
PM80	71.5	50	29	294	135	112	112	89	172	71	160	1"G	1"G	300	170	195	10.5