

# Ergo Glass Pneu. Rotation & Tilt

(EGPRT)

Lifting capacity: 65/115/150kg

**The Ergo-Glass™ end effector that, when integrated in Quick-Lift System™, meets the highest standards of ergonomics, working environment, safety and efficiency.**

Easy to use, thanks to outstanding responsiveness, regardless of load weight. High cost efficiency through built in energy save function, high reliability and long durability.

The sensitive manoeuvre handle provides the operator a precise and controlled movement of the glass panel.

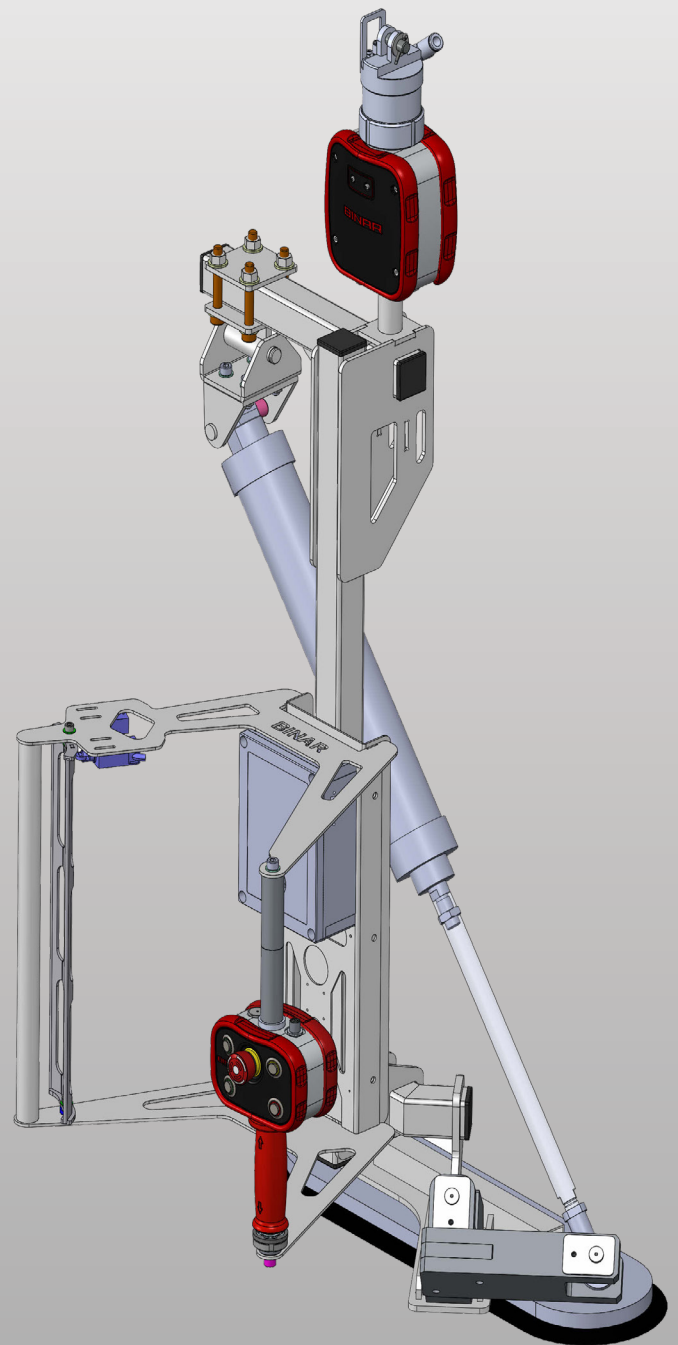
Equipped with a unique combined stepless pneumatic tilt and rotation movement of the suction cups.

Modular design of the vacuum suction interface creates unlimited possibilities for customized solutions.

The position of the suction cups can be configured according to the dimensions of the glass panel and the position can easily be adjusted.

Maximum security due to a combination of sound and visual alarms activated in case of pressure drop or lack of vacuum.

With integrated “anti-drop” and energy saving as standard this end effector provides a first class solution.



**BINAR**

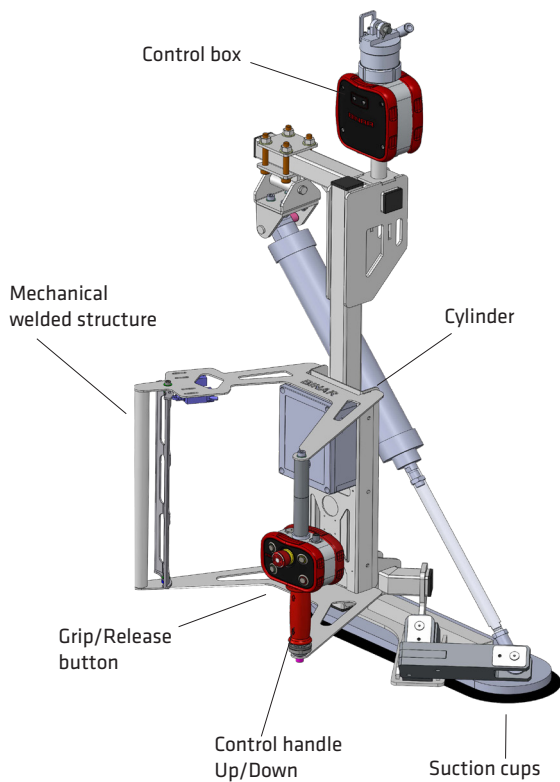
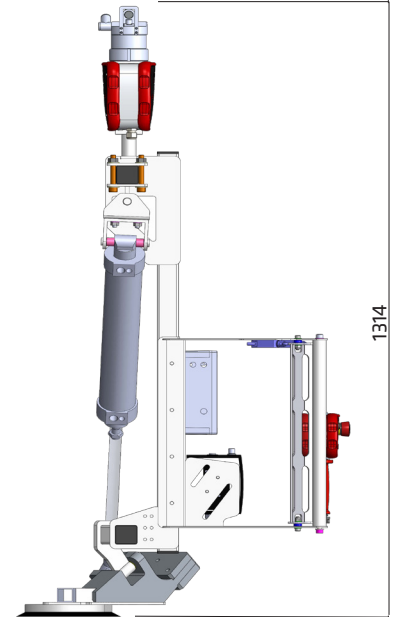
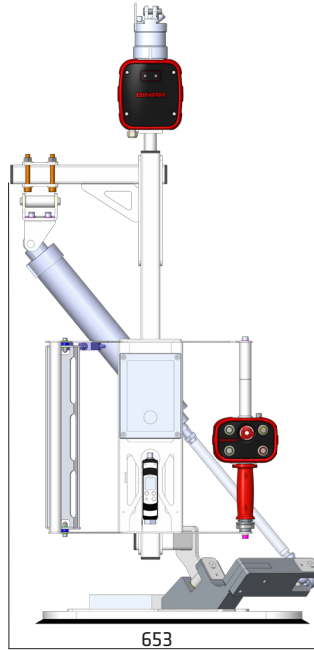
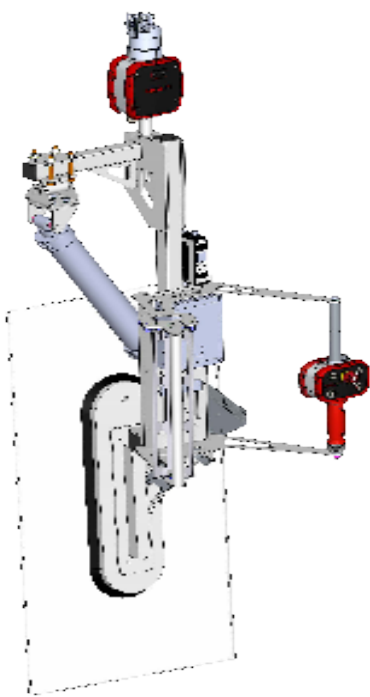
*Improving your productivity*

# Ergo Glass Pneu. Rotation & Tilt

(EGPRT)

Lifting capacity: 65/115/150kg

The figures are to be seen as indications and may vary depending on handling application.



## TECHNICAL DATA

<b>Description</b>	<p>Equipped with fixed one or two (round) suction cups.</p> <p>The control handle provides a logic and simple interface for the operator for up and down movement as well push buttons for grip and release of the glass panels.</p> <p>The control box at the top provides setting of adjustable speed depending of the application.</p> <p>Pneumatic rotation and tilt glass panels.</p> <p>Main direction of suction cups is to be defined.</p> <p>1 Rotative head mounted on free bearing End effector with driven rotation. Vertical portrait towards flat laying.</p>
<b>Lifting capacity</b>	Glass panels : 65/115/150 kg depending on configuration of the suction cups.
<b>End effector weight</b>	34 kg Max (depending on lifting capacities)
<b>Air supply</b>	Clean dry air, pressure 6-8 bar.
<b>Safety</b>	<p>1 or 2 suction cups with a safety factor of 4.</p> <p>Both audio (buzzer) and visual (red lamp) indication when insufficient vacuum.</p> <p>Up movement is automatically restricted when too low vacuum is detected.</p> <p>Load is continuously supervised by the Quick-Lift and can only be released once end effector is landed on surface.</p>
<b>Options</b>	Vacuum tank (in case of insufficient vacuum).
<b>Manoeuvring</b>	Manoeuvring is done with Binar Handlings patented control handle. Only a small force is needed to engage the up/down motion. When the operator let go of the handle, the up/down motion is immediately stopped.
<b>End effector</b>	End effectors are designed to fit customers need. Intelligent I/O signals are available for optimum functionality.

Binar Handling AB disclaims responsibility for any errors or incomplete information in the published material and reserves the right to make changes

### Binar Handling AB

Hedekulleväge 24 • SE-461 38 Trollhättan • Sweden  
 telephone: +46 (0)520 47 40 00 info.handling@binar.se  
 www.binarhandling.com

# BINAR

Improving your productivity