



FLEXICOMBI MAGICPILOT 10.1 GAS

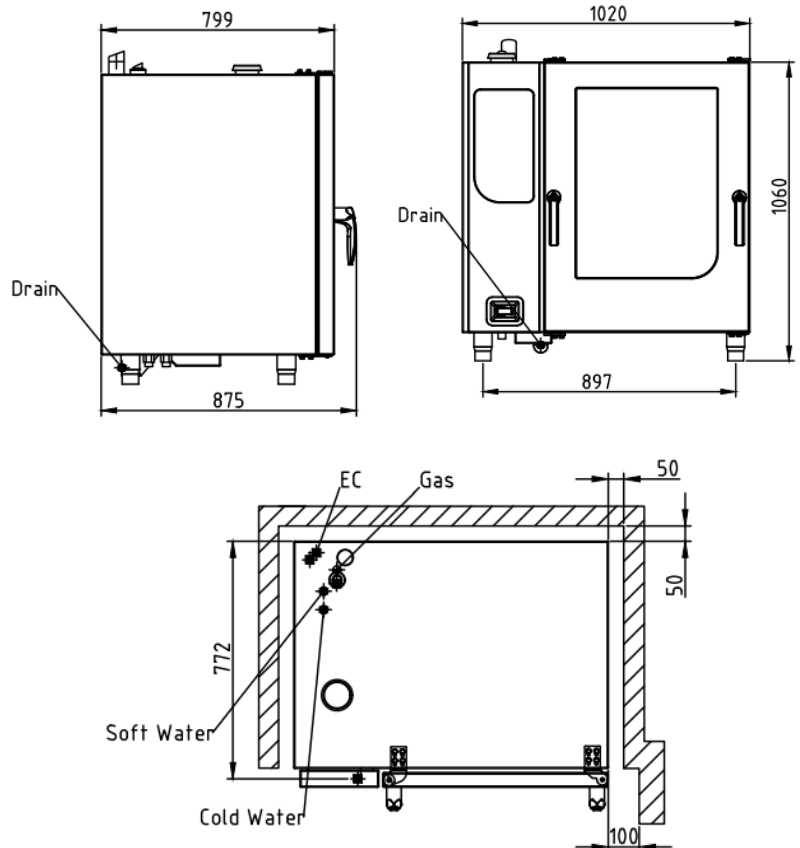
MKN No.: FKG101R_MP



MKN combi steamer FlexiCombi 10 tray GN 1/1 or 10 FlexiRack® (530 x 570 mm) with MagicPilot operation system.

Product Advantages:

- **MagicPilot** – Robust, wear-free, capacitive true colour touch screen.
- **FlexiRack®** – 50% more cooking capacity (= save time and energy).
- **Video assist** – Interactive user assistance with clips featuring professional chefs.
- **CombiDoctor** – Self-diagnosis programme.
- **GreenInside** – Indicates the energy and water consumption for each cooking programme.
- **AutoChef** – Up to 350 individual cooking programmes and manual operating system.
- Durable hygienic cooking chamber and chamber door with insulated **triple glazing**.
- **DynaSteam²** – It speeds up the cooking process and saves energy.
- Integrated heat exchanger.
- **WaveClean** – Automatic cleaning system (safe, easy, economical).
- USB interface.
- 3 years warranty parts and labour.



Capacity: Meals per day	80 – 150 (GN 1/1)
	80 – 200 (FlexiRack)



Installation requirements:

- Soft Water / Water supply / Connection to waste water provided by customer.
- If mineral content is high, reverse osmosis system may be advisable.

Technical Data:

Width x Height x Depth (mm)	1020 x 1060 x 799
Connected load (gas) (MJ/h):	65.8
Connected load (electrical) (kW):	0.6
Voltage (V) / EC:	240 1 phase AC
Recommended fuses (A):	1 x 10
Frequency range (Hz):	50
Soft Water connection:	DN 20 (R ¾" inside)
Water connection:	DN 20 (R ¾" inside)
Waterpressure (kPa):	200 - 600 (2 - 6 bar)
Drain connection:	DN 50
FlexiRack® (530 x 570 mm)	10 (max. 65 mm deep)
Gastronorm 1/1 (530 x 325 mm):	10 (max. 65 mm deep)
Plates Ø 28 cm on FlexiRack® grids:	40
Plates Ø 32 cm – plate trolley :	40
Material housing:	1.4301
Material cooking chamber:	1.4404
Gross weight (kg):	180
Heat emission latent (W):	3240
Heat emission sensitive (W):	2700
Type of protection:	IPX 5

