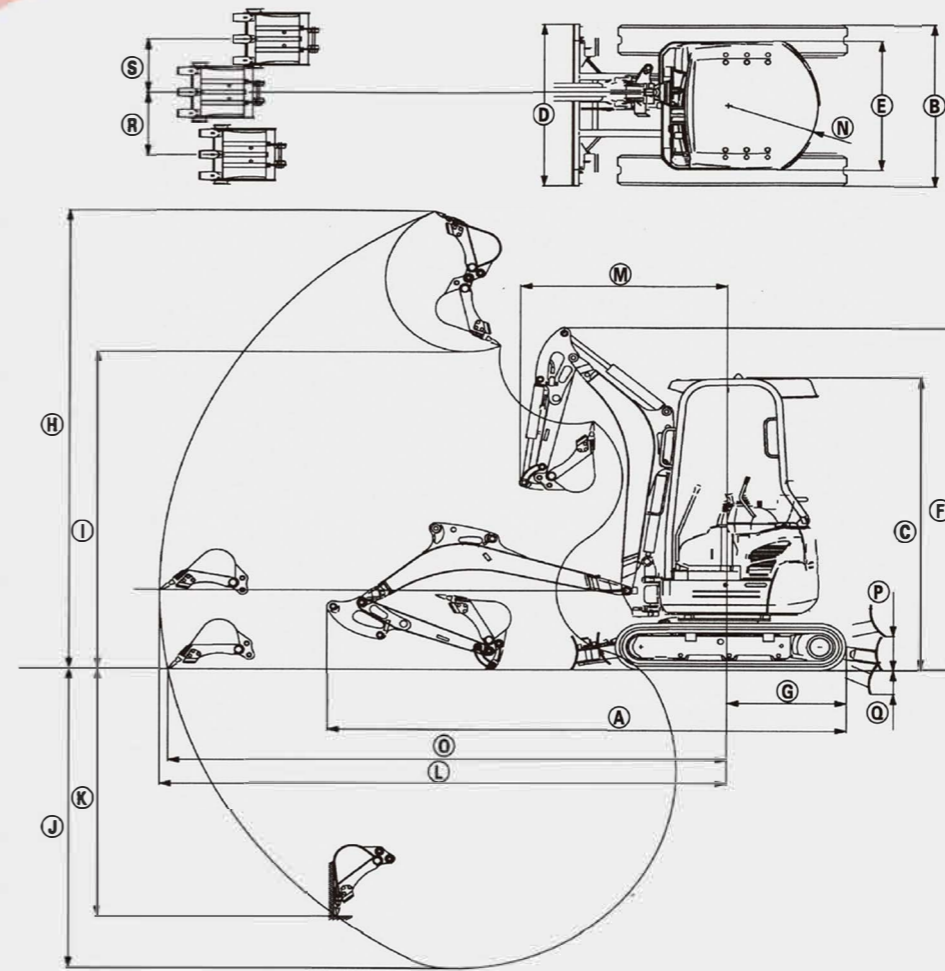


# XE18SE MINI EXCAVATOR



- ☆ Operating Weight:1750KG
- ☆ Engine: Yanmar 3TNV70
- ☆ Power:20.8HP/15.5KW@3600RPM
- ☆ Swing Arm and Expandable Tracks
- ☆ American Eaton brand motor
- ☆ Continental or Gates Oil Tube
- ☆ Pilot Control / Joystick
- ☆ Nachi Piston-Variable Pump
- ☆ All hidden walking motor

Machine colour subjects to stock ,please enquire our sales team.



| Size diagram | mm       |
|--------------|----------|
| A            | 3200     |
| B            | 990/1240 |
| C            | 2430     |
| D            | 990/1240 |
| E            | 760/1010 |
| F            | 2200     |
| G            | 725      |
| H            | 3540     |
| I            | 2440     |
| J            | 2310     |
| K            | 1910     |
| L            | 3900     |
| M            | 1430     |
| N            | 620      |
| O            | 3840     |
| P            | 245      |
| Q            | 200      |
| R            | 485      |
| S            | 410      |

| Overall size  | Unit | Numerical   |
|---|------|-------------|
| Length  | A    | mm 3200     |
| Width   | B    | mm 990/1240 |
| Height  | C    | mm 2430     |
| Dozer blade width   | D    | mm 990/1240 |
| Dozer blade height  |      | mm 268      |
| Track center distance   | E    | mm 760/1010 |
| Boom height   | F    | mm 2630     |
| Distance from the center of rotation to the tail of the track | G    | mm 815      |
| Track shoe width  |      | mm 230      |
| Platform ground clearance                                     |      | mm 145      |
| Bucket Width  |      | mm 450(400) |
| Track length  |      | mm 1450     |
| Wheel spacing   |      | mm 1100     |
| Scope of work   | Unit | Numerical   |
| Max.digging height  | H    | mm 3540     |
| Max.unloading height  | I    | mm 2440     |
| Max.digging depth   | J    | mm 2310     |
| Max.vertical mining depth                                     | K    | mm 1910     |
| Min.turning radius  | L    | mm 3900     |
| Max.digging radius  | M    | mm 1430     |

| Scope of work                | Unit           | Numerical     |
|------------------------------|----------------|---------------|
| Min.turning radiu            | N              | mm 620        |
| Max.digging distance         | O              | mm 3840       |
| Max.bulldozing height        | P              | mm 245        |
| Max.depth of bulldoing       | Q              | mm 200        |
| Bucket moving left distance  | R              | mm 485        |
| Bucket moving right distance | S              | mm 410        |
| Performance Paramete         | Unit           | Numerical     |
| Machine weight               | kg             | 1750          |
| Bucket Capacity              | m <sup>3</sup> | 0.04          |
| Engine Model name            |                | Yanmar 3TNV70 |
| Displacement                 | L(cc)          | 0.898         |
| Output power                 | HP/rpm         | 20.8HP        |
| Working speed (max/min)      | KM             | 2/4           |
| Swing speed                  | r/min          | 11            |
| Swing angle                  | (°)            | 65/58         |
| Gradeability                 | %(°)           | 58(30)        |
| Ground pressure              | kpa            | 25.5(0.245)   |
| Max.excavating force         | KN             | 12.3          |
| Fuel Tank Capacity           |                | 18            |

MXG Machinery assume no responsibility or liability for any errors or omissions in the content of this brochure. Specifications from the manufacturer are subject to change without notice. Refer to our sales team for model details at time of purchase.

☎ 0401 347 788  
☎ 03 8900 2987  
✉ Info@mxg.com.au

🌐 www.mxg.com.au  
📍 Melbourne Branch: 10-14 Citrus St, Braeside VIC 3195  
📍 Brisbane Branch: 15-19 Elliott Court Hillcrest QLD 4118