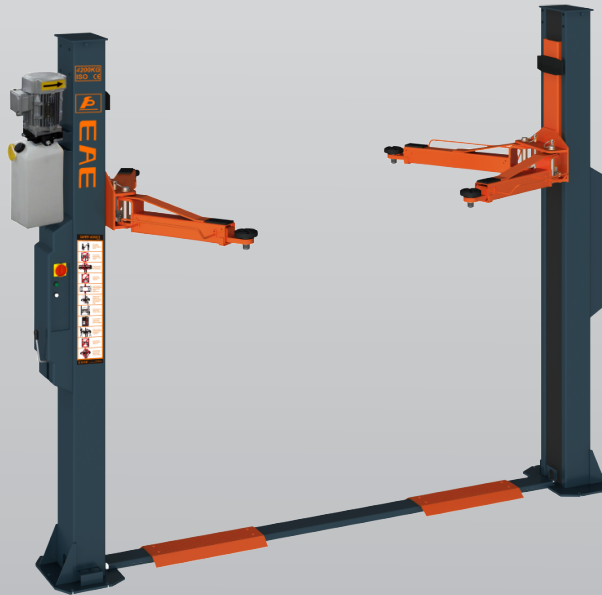


EE-62BE.42T

4.2 Ton 2 Post Base Plate Hoist - Electronic Controls



- » 4.2 Ton lifting capacity
- » Lifting height of 1.9m plus 4WD adapters
- » Base plate design
- » Durable charcoal Hammertone powder coat finish, with orange arms
- » Full electronic controls
- » Aluminium power unit
- » One piece column
- » Door protection pads
- » Curtain inside column
- » Combination screw pads plus 4WD adapters
- » Certified to Australian Standards and design registered with Worksafe
- » Optional EV charging station
- » 1 Year parts & labour warranty

INCLUSIONS



Hydraulic Oil



Screw Pad /
4WD Adapter



Arm Tool Tray

OPTIONS



EV Charging
Station

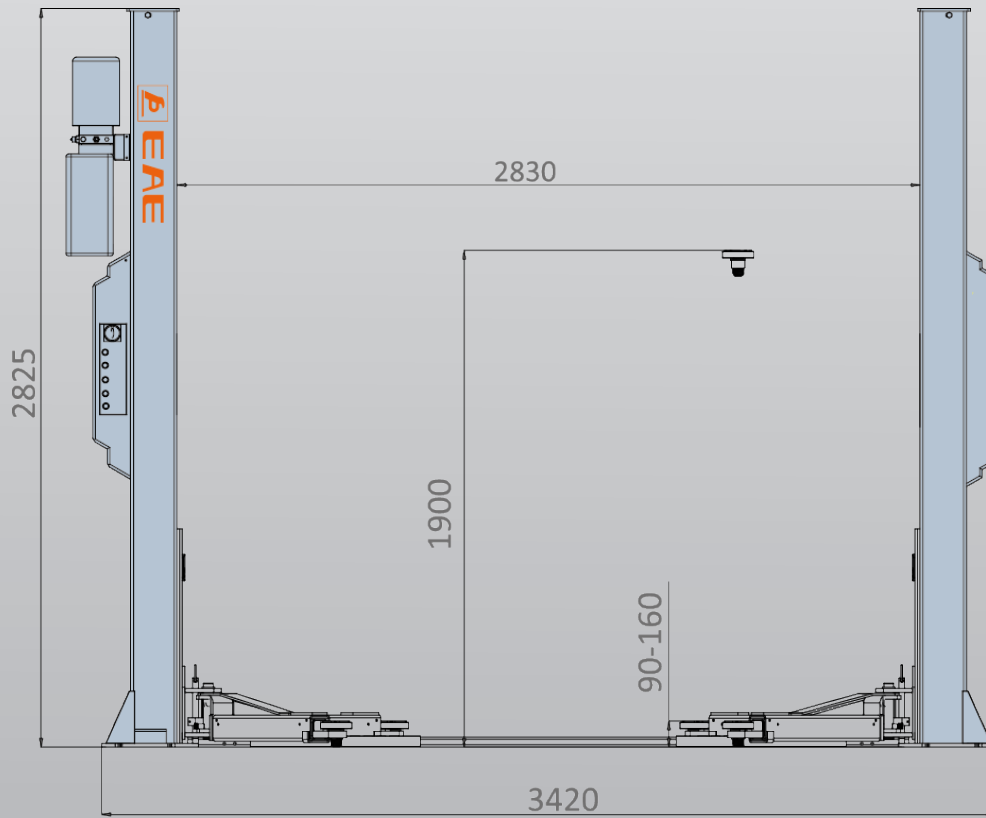


Tyre Holder
Adapter



EAE
Low Profile Arm

EE-62BE.42T



Minimum Concrete Requirement

150mm

Recommended Ceiling Height

3.25m

Power Requirements

240v

2.2kw 16 amps

3 phase

3.5kw 9 amps

Fast motor

No neutral required

Freight Dimensions

290 x 48 x 105cm

650kg

