



Datasheet

OD254 Series

254x254x89mm
(10"x10"x3.5")

ENGLISH

Frame
Diecast Aluminum

Impeller
PBT, UL94V-0 Thermoplastic

Available Options
Tachometer
Locked Rotor Alarm
PWM Input
Thermal Speed Control

Finger Guard: G254-10P

RS Part Number	Orion Part Number	Speed (RPM)	Airflow (CFM)	Noise (db)	Volts (DC)	Voltage Range	Current (Amps)	Lead Type
6196753		2500	850	64	24	16 ~ 27	2.65	Wire

Data Tolerance +/-10%

MOTOR

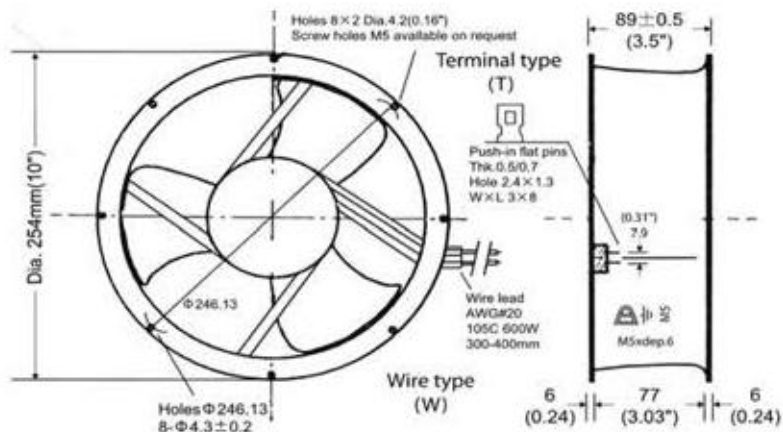
Brushless DC, polarity protected, locked rotor protected (current limited), auto restart

INSULATION RESISTANCE
Min. 10 M ohms at 500VDC

LIFE EXPECTANCY (L10)
Ball Bearing 60,000 Hours

Operating Temperature
-10C ~ +70C

Safety Approvals
UL/CUL, TUV, CE



*Drawing for Dimensional Reference Only