



Single Lid Contact Grill Product # CG8-1TP

Prince Castle's single lid contact grill has two heated platens that consistently cook a variety of products from top and bottom. Each platen's temperature is independently regulated/maintained by solid state controller and zone probe monitoring.

With single-channel electronic, programmable timers, the Prince Castle contact grill incorporates an audible alarm to supervise and remind operators to check or remove products.

The CG8-1TP contact grill has a cool exterior base surface and upper platen guards provide added protection from the top heated surfaces during operation. Platen temperature set points can be pre-programmed specific to customer's requirements, with built-in set point adjustment protection. Removing product build-up is simple with removable catch / drip tray.

Adjustable four position lid stops are designed for different menu items and include closed position set point for daily cleaning.

Product Features

- Accurate temperature control
- Cooking surface is 8" wide smaller foot print (12" X 22")
- Cooking surface temperature range = 250°F (79°C) to 512°F (267°C)
- Durable stainless steel construction and heavy duty platens ensure long life and reliability
- Electronic, programmable timers to track product grill times
- Adjustable four position lid stops provide consistent grilling of menu items
- Cleaning mode designed,
- Grease drawer accessible from front
- Energy saving
- One year parts and labor warranty



Single Lid Contact Grill Product # CG8-1TP

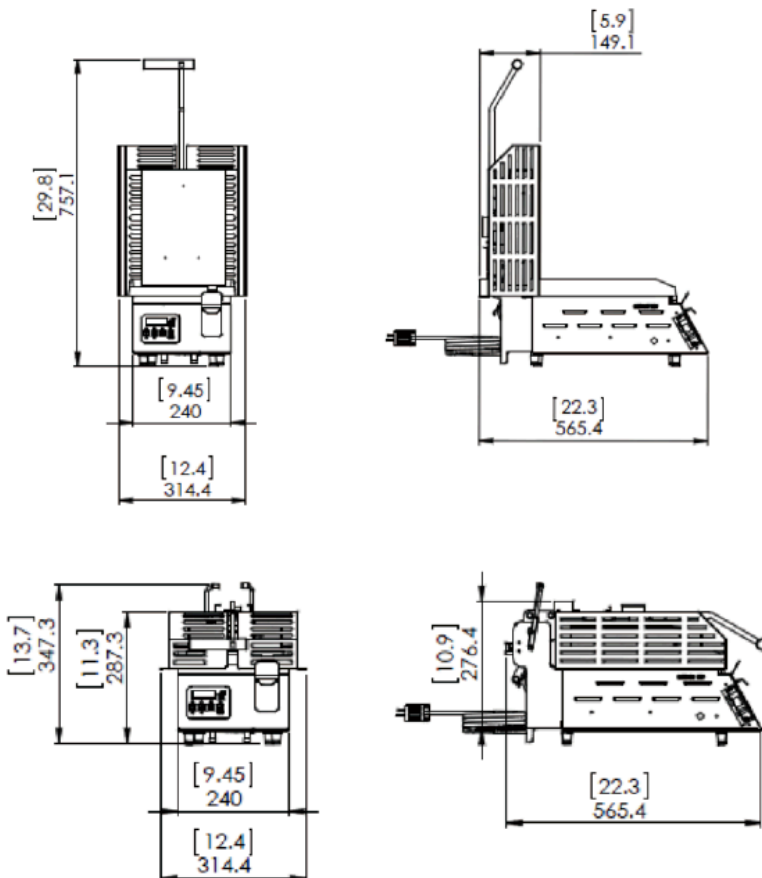
Dimensions

Model Number	Width in (cm)	Height in (cm)	Depth in (cm)	Shipping Weight lbs (kg)	Shipping Volume cu. ft (cu. m)
CG8-1TP	12.40 (31.44)	13.70 (34.73) - Closed 29.80 (75.71) - Open	22.30 (56.54)	57.20 (26.00)	5.40 (.135)

Electrical

Model Number	Description	Volts	Hz	Watts	Plug
CG8-1TP	Single Lid Contact Grill	208-240	50/60	1300	NEMA 6-20P

Specifications



Certifications



355 E. Kehoe Blvd.
Carol Stream, IL 60188

1.800.PCASTLE • 630.462.8800
www.princecastle.com