



Straight Arm



Mechanical Safety Lock



# EE-TS6600

## MID RISE SCISSOR LIFT

- Manual safety lock release.
- Easy to move, Mobile design.
- Dual cylinder structure, ensure stable raising and lowering. Ideal for tire service and narrow bays.
- Powder coated finish.
- It has been proofed by dynamic test with 115% of rated capacity and static test with 150% capacity.



Dual Cylinder Structure



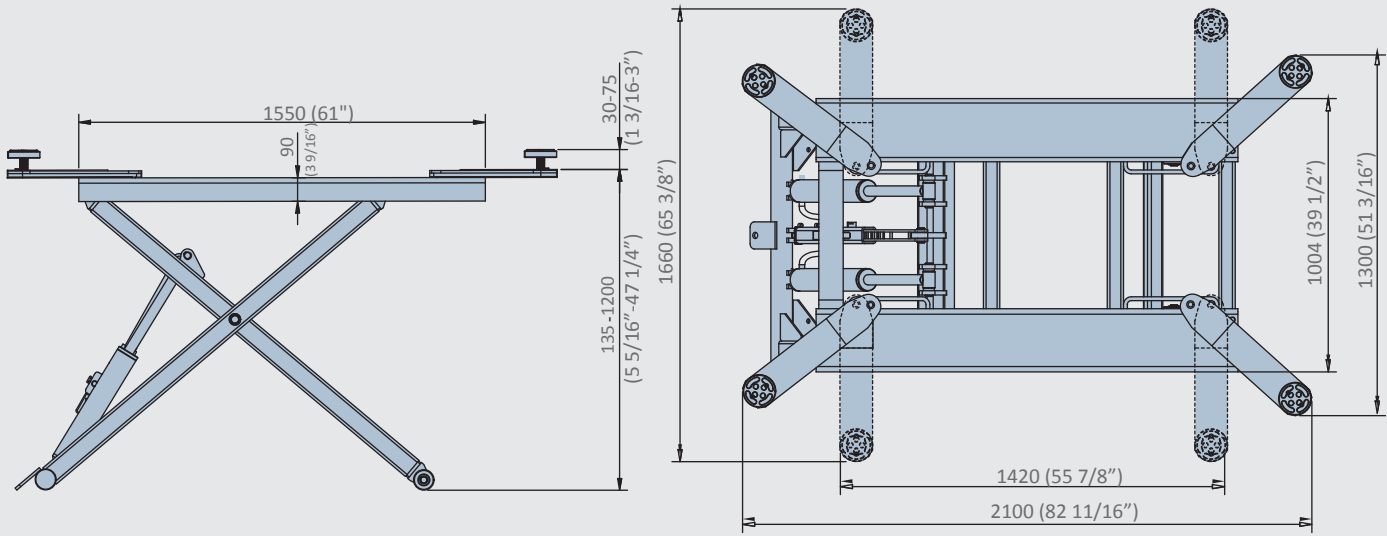
Low Voltage & Movable Control Unit



Low Position



## OVERALL DIMENSION



## TECHNICAL DATA

|                    |                             |
|--------------------|-----------------------------|
| MODEL NO.          | EE-TS6600                   |
| Lifting capacity   | 2700Kg(6000LBS.)            |
| Max lifting height | 1200mm(47 1/4")             |
| Min height         | 135mm(5 5/16")              |
| Lifting time       | 45S                         |
| Capacity of motor  | 2.2kW                       |
| Lock Release       | Mechanical                  |
| Weight             | 450Kg(1000LBS.)             |
| Electricity supply | According To Customer Needs |



\* Machine shown with optional equipment. Actual product appearance may differ.