

# Value IP Series Network Camera

EZN2550-SG, EHZ2550-SG, H265, IR, WDR

---

## *Quick Installation Guide*



**EZN2550-SG**



**EHN2550-SG**



Copyright © EverFocus Electronics Corp.

Release Date: June, 2021

All the images including product pictures or screen shots in this document are for example only. The images may vary depending on the product and software version. Information contained in this document is subject to change without notice.

### **EverFocus Taiwan:**

2F., No.12, Ln. 270, Sec. 3, Beishen Rd., ShenkengDist., New Taipei City 222, Taiwan

TEL: +886 2 2662 2338 FAX: +886 2 2662 3632 [www.everfocus.com.tw](http://www.everfocus.com.tw)

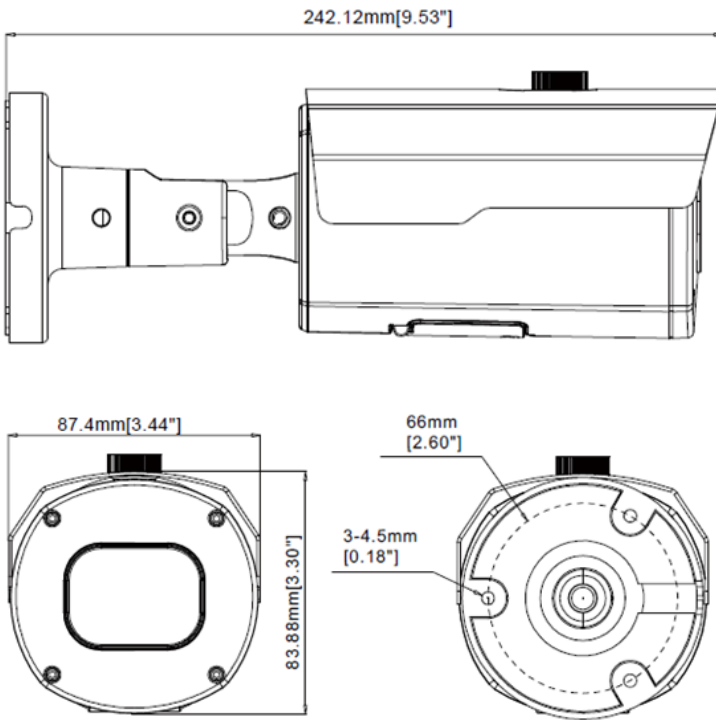
# 1. Physical Description



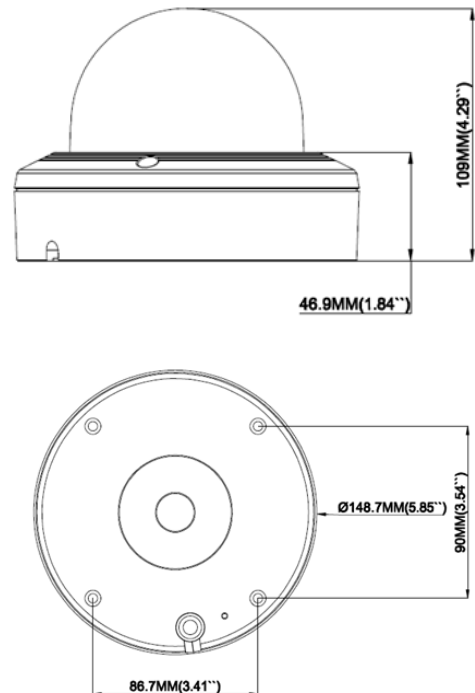
No.	Item Name	Descriptions
1	<b>Reset Button / Micro SD Card Slot / CVBS Lan / Zoom in &amp; out</b>	Use the supplied Hexagon Wrench to loosen the screws to access the Reset Button, Micro SD slot, CVBS Lan (this function is currently reserved), and Zoom In & Out.
2	<b>Sunshield</b>	Protect the camera from the direct sun rays.
3	<b>Tilt Screw</b>	Use the supplied Hexagon Wrench to loosen the Tilt Screw.
4	<b>Pan Screw</b>	Use the supplied Hexagon Wrench to loosen the Pan Screw.
5	<b>Light Sensor</b>	Detects lights.
6	<b>Lens</b>	Camera lens.
7	<b>Reset Button / Micro SD Card Slot / CVBS Lan / Zoom in &amp; out</b>	To access the Reset Button, Micro SD slot, CVBS Lan (this function is currently reserved), and Zoom In & Out.

## Dimensions

### EZN2550-SG



### EHN2550-SG



## Packing List

Please check that there is no missing items in the package before installing.

EZN2550-SG	EHN2550-SG
1. Camera x 1	1. Camera x 1
2. Cable Gland Kit x 1	2. Cable Gland Kit x 1
3. Screw x 3	3. Screw x 4
4. Screw Anchor x 3	4. Screw Anchor x 4
5. Hexagon Wrench x 2	5. Torx Wrench x 1
6. Quick Installation Guide x 1	6. Quick Installation Guide x 1
7. Installation Sticker x 1	7. Installation Sticker x 1

### Note:

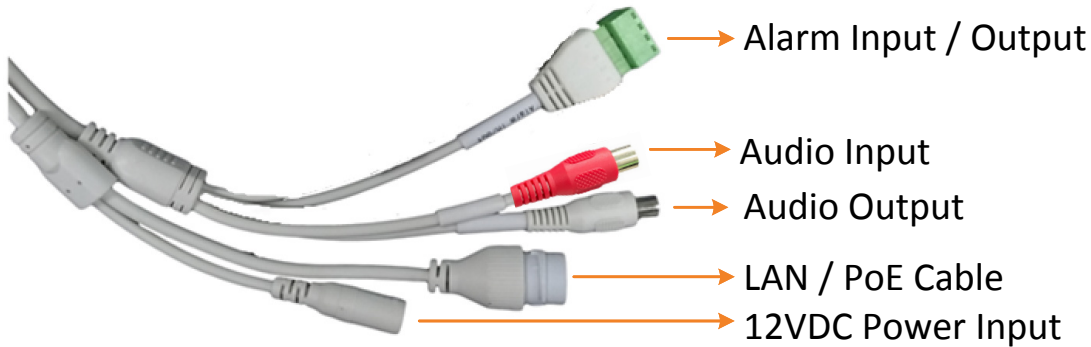
1. Equipment configurations and supplied accessories vary by country. Please consult your local EverFocus office or agents for more information. Please also keep the shipping carton for possible future use.
2. Contact the shipper if any items appear to have been damaged in the shipping process.

## Optional Accessory

You can go to the product page on EverFocus' website to check the related optional accessories. [www.everfocus.com.tw](http://www.everfocus.com.tw)

## 2. Cables

The cables of the EZN & EHN Series provide connections for network, power, audio input / output, and alarm input / output.



## Alarm IO PIN Assignment



- 1 Alarm In
- 2 GND
- 3 COM
- 4 Alarm Out

## Reset Button

The **Reset Button** can be used to restore the camera to factory default. When the camera is powered up, press the **Reset Button** about 10 seconds to reboot the camera.

**EZN2550-SG**



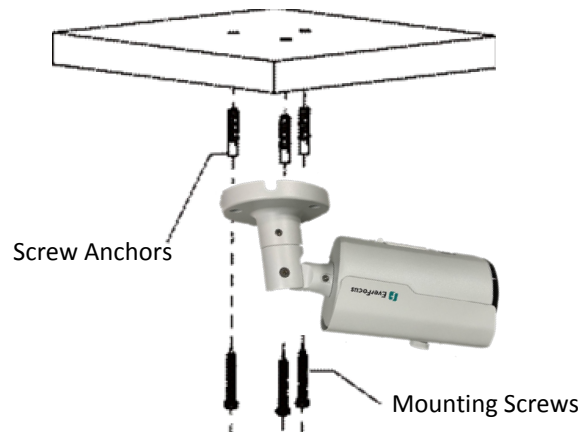
**EHN2550-SG**



### 3. Installation

#### 3.1 EZN2550-SG

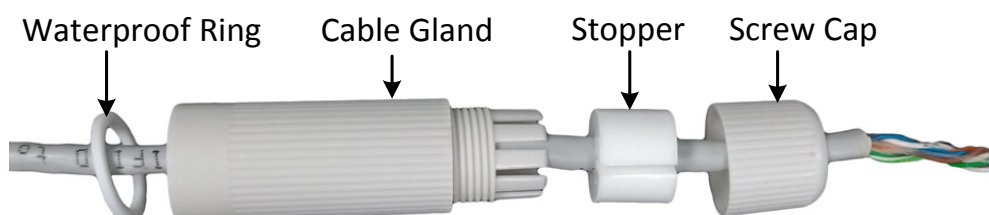
1. Drill three holes on the surface according to the screw positions on the Camera Base. Push the supplied 3 **Screw Anchors** into the holes. Drill another hole in the middle within the 3 screw holes if you wish to run the wires into the surface. Screw the camera to surface using the supplied 3 **Screws**.



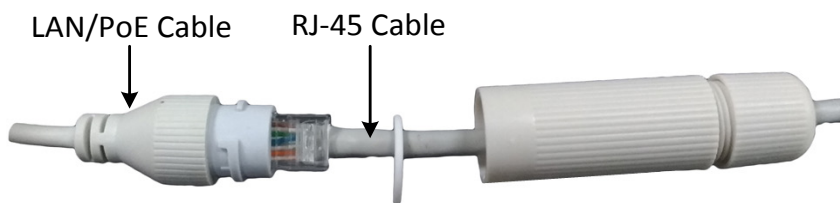
2. Adjust the pan/tilt/rotate angles of the camera by loosen the Pan/Tilt screws using the supplied **Hexagon Wrench**.



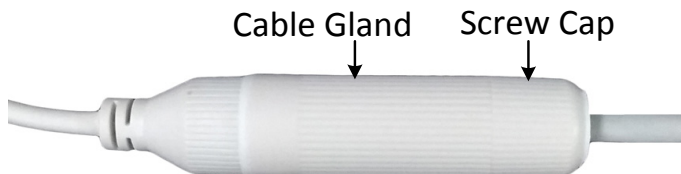
3. Connect the camera to power. You can either connect the camera to a 12VDC power source or to a PoE switch using the PoE cable.
4. Connect the camera to the network using the supplied **Cable Gland Kit**.
  - a. Insert a RJ-45 network cable (without the RJ-45 connector on the one end) through the supplied **Waterproof Ring, Cable Gland, Stopper** and **Screw Cap** accordingly.



b. Connect the RJ-45 cable to the **LAN/PoE Cable** of the camera.



c. Tightly screw the **Cable Gland** and **Screw Cap** to the Rugged RJ-45 Connector Cable.



d. Crimp the RJ-45 connector onto the RJ-45 network cable. Note that the wires should be placed into the RJ-45 connector based on the following order (from left to right).

- Orange with white stripe
- Orange
- Green with white stripe
- Blue
- Blue with white stripe
- Green
- Brown with white stripe
- Brown

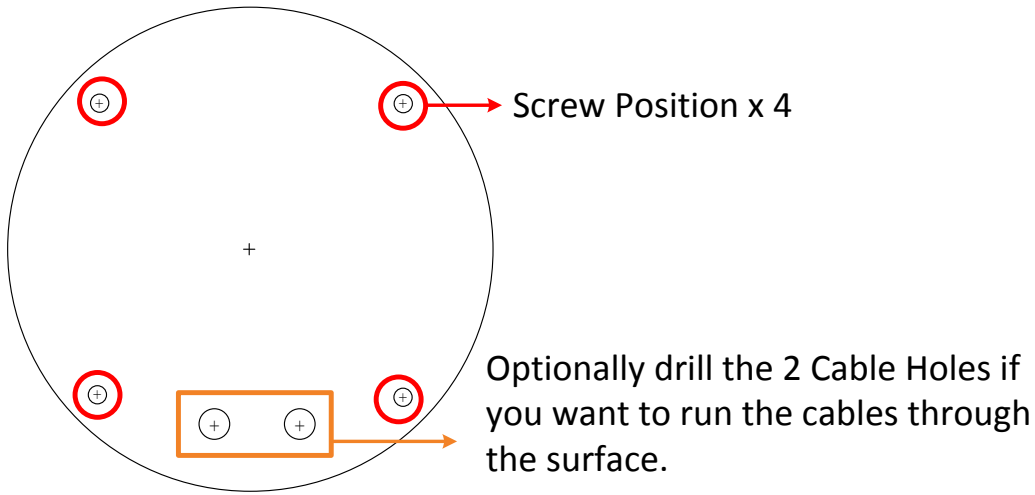


5. Optionally insert a Micro SD card into the card slot (please refer to No.1 in *1. Physical Description*).

6. Now you can access the camera live view. See *4. Accessing the Camera*.

### 3.2 EHN2550-SG

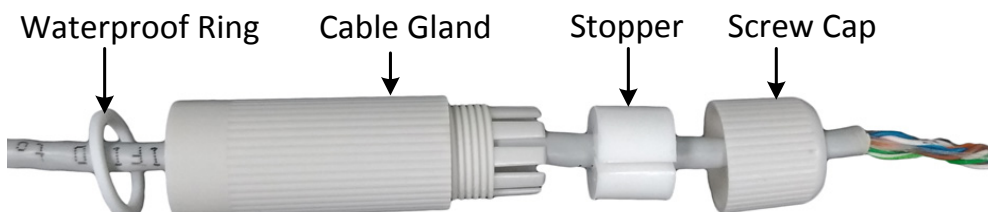
1. Stick the supplied **Mounting Sticker** on the surface to mark the 4 screw positions. Drill the 4 screw-depth holes on the surface and then push the supplied 4 **Screw Anchors** into the screw holes. Optionally drill the bottom 2 Cable Holes if you want to run the cables through the surface.



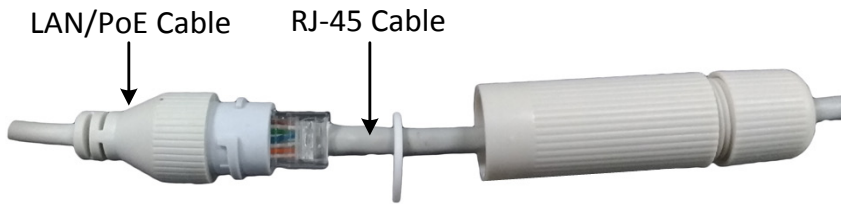
2. Remove the camera cover by unscrewing the 3 cover screws using the supplied Torx Wrench (Left Image). Screw the camera base to the surface using the supplied 4 Screws (Right Image).



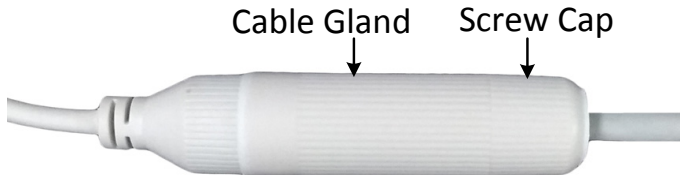
3. Optionally insert a micro SD card into the card slot (please refer to No.7 in *1. Physical Description*).
4. Adjust the pan / tilt / rotate angles of the camera.
5. Connect the camera to power. You can either connect the camera to a 12VDC power source or to a PoE switch using the PoE cable.
6. Connect the camera to the network using the supplied **Cable Gland Kit**.
  - a. Insert a RJ-45 network cable (without the RJ-45 connector on the one end) through the supplied **Waterproof Ring, Cable Gland, Stopper** and **Screw Cap** accordingly.



b. Connect the RJ-45 cable to the **LAN/PoE Cable** of the camera.

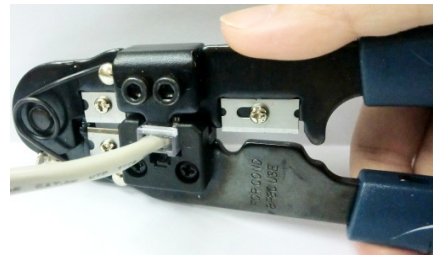


c. Tightly screw the **Cable Gland** and **Screw Cap** to the Rugged RJ-45 Connector Cable.



d. Crimp the RJ-45 connector onto the RJ-45 network cable. Note that the wires should be placed into the RJ-45 connector based on the following order (from left to right).

- Orange with white stripe
- Orange
- Green with white stripe
- Blue
- Blue with white stripe
- Green
- Brown with white stripe
- Brown



7. Now you can access the camera live view. See *4. Accessing the Camera*.

#### 4. Accessing the Camera

You can look up the IP address of the IP camera using the **IP Utility (IPU)** program from [EverFocus website](#) (key word search: "IP Utility").

The default network is DHCP. However, if there is no dynamic IP address assigned to the device, its IP will switch to 192.168.0.10. By default, the ID is **admin** and there is no password. Please input a password for the first-time login.