

# BAKER

REFRIGERATION

## CURL 3 GREEN SEMI-VERTICAL CHILLER



CHILLER



R290



PLUG-IN

### FEATURES INCLUDE

- High efficiency fan motors
- 4 levels adjustable shelves + base
- LED canopy lighting including switch
- Glass end walls
- Automatic defrost
- Manual night blind
- Black internal / black external



Scan here to check for Energy Efficiency Rebates in your state.



Product image not to scale

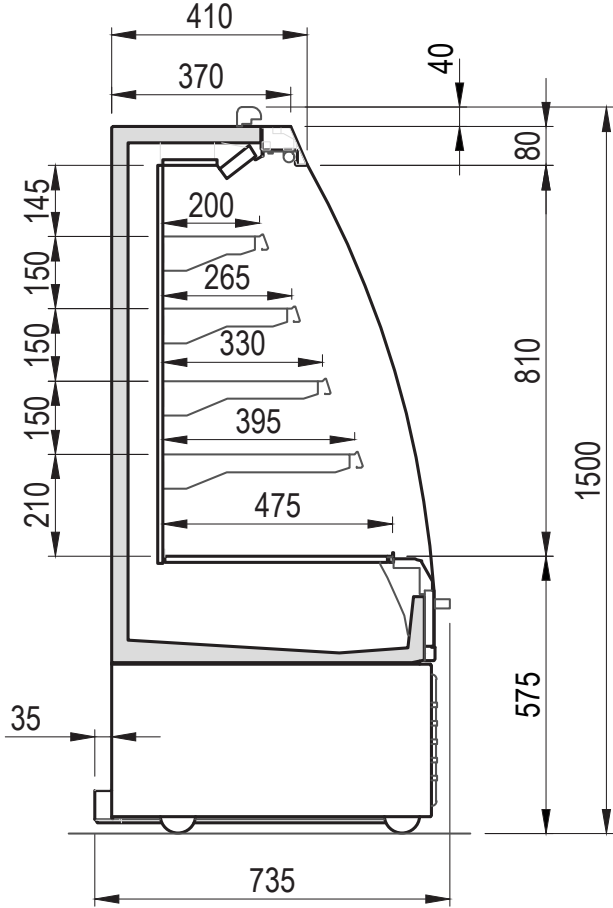
1800 423 626 | [ajbaker.com.au](http://ajbaker.com.au) | [email@ajbaker.com.au](mailto:email@ajbaker.com.au)

RTA: AU10320



REFRIGERATION

# BONNET NÉVÉ CURL 3 GREEN



CURL 3 GREEN	937	1250
OPERATING TEMP (°C)	+2/+4	+2/+4
REFRIGERATION	Ventilated / R290	
DEFROST	Automatic / Off-cycle	
POWER SUPPLY	230V / 1Ph / 10 Amp plug	
NOMINAL POWER (W)	830	909
ENERGY CONSUMPTION (kWh/24h)	12.6	14.9
DISPLAY SURFACE (m <sup>2</sup> )	1.58	2.09
LENGTH WITH END WALLS (mm)	997	1310
TOTAL HEIGHT INCLUDING CASTORS (mm)	1500	1500
DEPTH WITH BUMPER (mm)	735	735
DEPTH WITHOUT BUMPER (mm)	705	705
WEIGHT WITH PACKAGING (kg)	210	240
WEIGHT WITHOUT PACKAGING (kg)	190	220

\* Climate class 3 (25 °C, 60% R/H)

