



**High capacity accessibility
for homes**

**Two seat sizes to choose from,
including a spacious Plus seat
for maximum comfort**

**Battery operated for reliability
even during a power interruption**

Savaria® K2 Plus Stairlift

ROBUST LIFTING POWER

The Savaria K2 Plus gives you the freedom of mobility that a stairlift offers without compromising on comfort. Strong and steady, the K2 Plus stairlift offers peace of mind when stairs are getting difficult to manage. With a roomy seat and high capacity, the lift effortlessly carries individuals up to 180 kg for home use with the Plus seat, or 160 kg with the L seat.

Glide up and down a straight flight of stairs comfortably and securely using the onboard toggle controls, or with remote control operation. Then, simply fold the lift away when not in use to allow for more space on the stairway. With features such as a swivel and lock seat, non-skid footrest and retractable seatbelt the K2 Plus makes mobility secure and easy.



Savaria® K2 Plus Stairlift

ROBUST LIFTING POWER



- Heavy duty unit can be installed on either side of a straight-run staircase
- Choose from two comfortable and durable seats with width-adjustable arms: Plus seat up to 616 mm wide or L seat up to 508 mm wide
- Plus seat offers 180 kg capacity for residential applications; L seat has a 160 kg capacity
- Includes 2 reliable radio frequency call stations plus toggle switch on arm rest for easy operation
- Easy-clean vinyl seat; neutral colour carriage with attractive stainless steel gear rack and white rail
- Quiet and smooth-riding operation from the rack and pinion drive system
- Battery operated with continuous charging along the rail using standard power; can be used several times during a power failure
- LED status lights to advise you of any issues
- Obstacle sensor system on the carriage and footrest to stop the chair if it meets an obstruction
- Swivel and lock seat for added stability getting on and off the chair; additional safety features include retractable seat belt, anti-slip footrest and overspeed brake

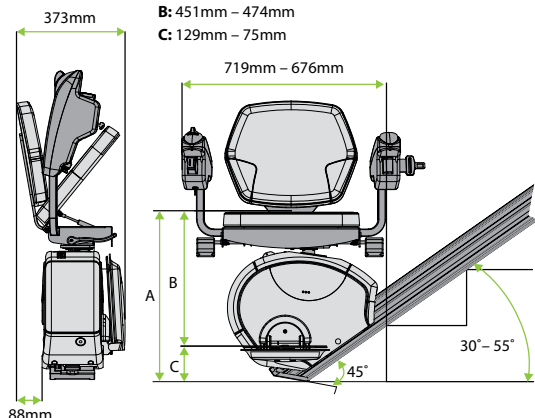
SPECIFICATIONS

| | |
|-------------------------|---|
| Applications | Residential, indoor, straight-run stairs |
| Capacity | Residential: 182 kg ¹ |
| Maximum travel distance | 9 ¾ m |
| Travel speed | 0.08 m/s |
| Drive | Rack and pinion |
| Motor | 240 volt, 10 Amp, single phase, 50 Hz, ½ HP |
| Fold-up width | 343 mm |
| Fold-out width | 648 mm |
| Range of incline | 30° to 55° |
| Warranty | 36 months manufacturer's parts, ask your representative for details |

¹Max capacity 160 kg with flip-up rail

Measurements vary based on rail angle:

A: 598mm – 549mm
B: 451mm – 474mm
C: 129mm – 75mm



For drawings, detailed specifications and a complete list of options or to arrange a site visit please contact us:

Savaria (Australia) Pty Ltd

Brisbane Head Office & Showroom
1300 736 402
79 Crockford Street Northgate

Melbourne Showroom
1300 736 402
Home Ideas Centre
1686 Dandenong Road Oakleigh East

Franchise Locations

Sydney 02 8544 8706
Adelaide 08 8277 1575
Cairns 07 4039 3100



savaria.com.au
savaria.com