

BENCHTECH WORK BENCH

900mm Long with 150mm Splashback and Solid Undershelf

9.20

BENCHTECH

BT-WB-609 / BENCHTECH 900 x 600 WORK BENCH w SPLASHBACK



features and benefits

- 304 Grade, 1.2mm Thick S.S Benchtop
- 304 Grade, 1.2mm Thick S.S Solid Shelf
- 2.0mm Corrosion Resistant Zinc Plated Steel Substrate Benchtop
- Satin Finish
- 38mm Diameter S.S. Tube Legs
- 150mm Splashback
- S.S. 'C Channel' Reinforcement Shelves

about

BenchTech Work Benches are made from 1.2mm grade 304 stainless steel complete with a 2.0mm corrosion resistant zinc plated steel substrate and come supplied with our S.S. Tube Legs with Adjustable Feet, 150mm splashback and 1.2mm grade 304 stainless steel solid under shelf. A pipe under shelf can be supplied in lieu if requested (please consult Britex). Built to true commercial specifications, the BenchTech modular system can be used for a full kitchen fit-out or integrated with custom -made Britex benches and shelves to achieve a more cost effective overall project solution. Providing absolute value for money, BenchTech is ideal for use in projects such as teaching kitchens, canteens, cafes and restaurants.

sample spec. text

Benchtech 900mmx600mm Work Bench. Complete with 150mm Splashback and Solid Undershelf - Product Code BT-WB-609

*RED TEXT may denote a **variable** where one option only is to be selected, a **nominal dimension** that needs to be specified, or an **optional feature** that can be removed if not required. Please refer to the back of this page for additional specification details and options.

VISIT BRITEX.COM.AU TO DOWNLOAD BIM FILES, CAD DRAWINGS AND THE MOST CURRENT PRODUCT LITERATURE.



MELBOURNE
Britex Place, Mirra Crt
Bundoora VIC 3083
t (03) 9466 9000
f (03) 9466 9011

SYDNEY
16 Northumberland Drv
Taren Point NSW 2229
t (02) 9531 2100
f (02) 9531 2800

PERTH
Unit 1/8 Principal Link
Malaga WA 6090
t (08) 9249 5464
f (08) 9248 6893

BRISBANE
19 Manilla St
East Brisbane QLD 4169
t (07) 3363 2400
f (07) 3363 2444

ADELAIDE
The Britex Group
SA State Office
t 1300 764 744
f 1300 784 306

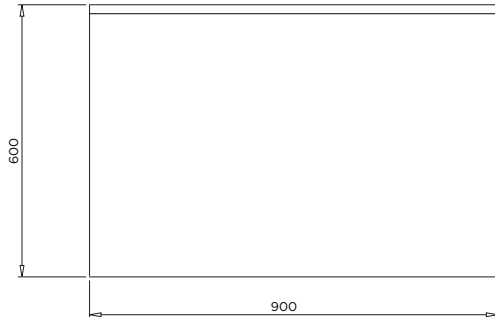
britex.com.au | info@britex.com.au | A.B.N 83 004 309 737

BENCHTECH WORK BENCH

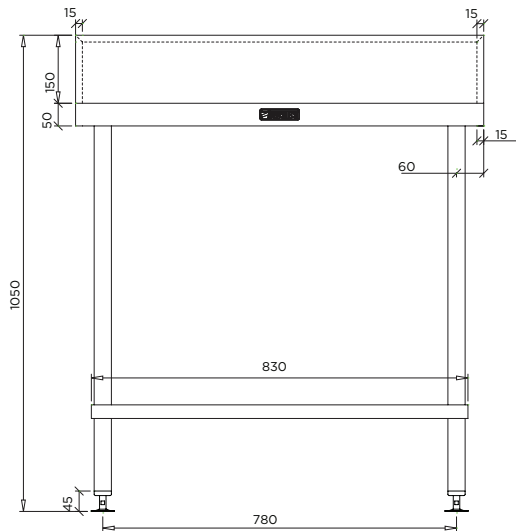
900mm Long with 150mm Splashback and Solid Undershelf

PRODUCT CODE

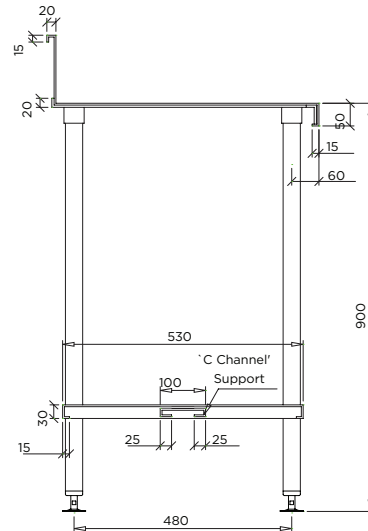
BT-WB-609



MODEL BT-WB-609 Plan



MODEL BT-WB-609 Front Elevation



MODEL BT-WB-609 Section

specifying
guide

When specifying this product please include:

- Product **Name** and **Code**
- Product **Dimensions**

options

- Product Length - Available in: 900, 1200, 1500 and 1800mm Standard Lengths

VISIT BRITEX.COM.AU TO DOWNLOAD BIM FILES, CAD DRAWINGS AND THE MOST CURRENT PRODUCT LITERATURE.



Due to ongoing research and our commitment to product development, details are subject to change without notice. Details accurate at time of print. Please refer to britex.com.au for the most current product information. Allow +/- 5mm tolerance for dimensions and setouts shown in product literature.

britex.com.au | info@britex.com.au | A.B.N 83 004 309 737



BENCHTECH WORK BENCH

1200mm Long with 150mm Splashback and Solid Undershelf

9.21

BENCHTECH

BT-WB-612 / BENCHTECH 1200 x 600 WORK BENCH w SPLASHBACK



features and benefits

- 304 Grade, 1.2mm Thick S.S Benchtop
- 304 Grade, 1.2mm Thick S.S Solid Shelf
- 2.0mm Corrosion Resistant Zinc Plated Steel Substrate Benchtop
- Satin Finish
- 38mm Diameter S.S. Tube Legs
- 150mm Splashback
- S.S. 'C Channel' Reinforcement Shelves

about

BenchTech Work Benches are made from 1.2mm grade 304 stainless steel complete with a 2.0mm corrosion resistant zinc plated steel substrate and come supplied with our S.S. Tube Legs with Adjustable Feet, 150mm splashback and 1.2mm grade 304 stainless steel solid under shelf. A pipe under shelf can be supplied in lieu if requested (please consult Britex). Built to true commercial specifications, the BenchTech modular system can be used for a full kitchen fit-out or integrated with custom -made Britex benches and shelves to achieve a more cost effective overall project solution. Providing absolute value for money, BenchTech is ideal for use in projects such as teaching kitchens, canteens, cafes and restaurants.

sample spec. text

Benchtech 1200mmx600mm Work Bench. Complete with 150mm Splashback and Solid Undershelf - Product Code BT-WB-612

*RED TEXT may denote a **variable** where one option only is to be selected, a **nominal dimension** that needs to be specified, or an **optional feature** that can be removed if not required. Please refer to the back of this page for additional specification details and options.

VISIT BRITEX.COM.AU TO DOWNLOAD BIM FILES, CAD DRAWINGS AND THE MOST CURRENT PRODUCT LITERATURE.



MELBOURNE
Britex Place, Mirra Crt
Bundoora VIC 3083
t (03) 9466 9000
f (03) 9466 9011

SYDNEY
16 Northumberland Drv
Taren Point NSW 2229
t (02) 9531 2100
f (02) 9531 2800

PERTH
Unit 1/8 Principal Link
Malaga WA 6090
t (08) 9249 5464
f (08) 9248 6893

BRISBANE
19 Manila St
East Brisbane QLD 4169
t (07) 3363 2400
f (07) 3363 2444

ADELAIDE
The Britex Group
SA State Office
t 1300 764 744
f 1300 784 306

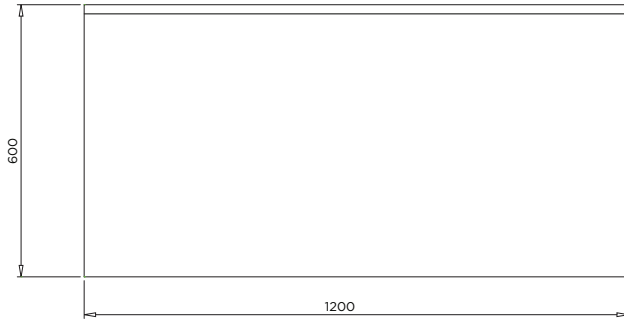
britex.com.au | info@britex.com.au | A.B.N 83 004 309 737

BENCHTECH WORK BENCH

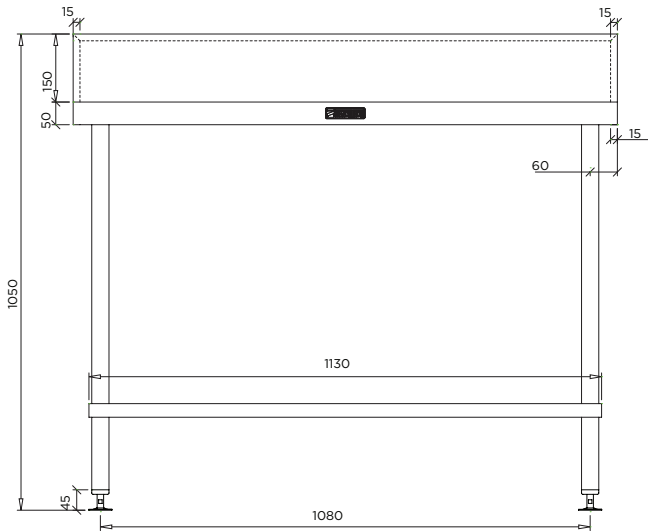
1200mm Long with 150mm Splashback and Solid Undershelf

PRODUCT CODE

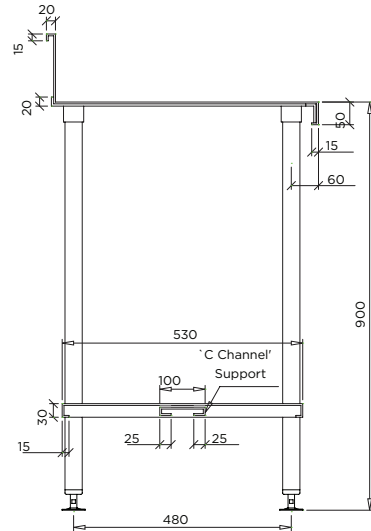
BT-WB-612



MODEL BT-WB-612 Plan



MODEL BT-WB-612 Front Elevation



MODEL BT-WB-612 Section

specifying
guide

When specifying this product please include:

- Product **Name** and **Code**
- Product **Dimensions**

options

- Product Length - Available in: 900, 1200, 1500 and 1800mm Standard Lengths

VISIT BRITEX.COM.AU TO DOWNLOAD BIM FILES, CAD DRAWINGS AND THE MOST CURRENT PRODUCT LITERATURE.

BENCHTECH WORK BENCH

1500mm Long with 150mm Splashback and Solid Undershelf

9.22

BENCHTECH

BT-WB-615 / BENCHTECH 1500 x 600 WORK BENCH w SPLASHBACK



features and benefits

- 304 Grade, 1.2mm Thick S.S Benchtop
- 304 Grade, 1.2mm Thick S.S Solid Shelf
- 2.0mm Corrosion Resistant Zinc Plated Steel Substrate Benchtop
- Satin Finish
- 38mm Diameter S.S. Tube Legs
- 150mm Splashback
- S.S. 'C Channel' Reinforcement Shelves

about

BenchTech Work Benches are made from 1.2mm grade 304 stainless steel complete with a 2.0mm corrosion resistant zinc plated steel substrate and come supplied with our S.S. Tube Legs with Adjustable Feet, 150mm splashback and 1.2mm grade 304 stainless steel solid under shelf. A pipe under shelf can be supplied in lieu if requested (please consult Britex). Built to true commercial specifications, the BenchTech modular system can be used for a full kitchen fit-out or integrated with custom -made Britex benches and shelves to achieve a more cost effective overall project solution. Providing absolute value for money, BenchTech is ideal for use in projects such as teaching kitchens, canteens, cafes and restaurants.

sample spec. text

Benchtech 1500mmx600mm Work Bench. Complete with 150mm Splashback and Solid Undershelf - Product Code BT-WB-615

*RED TEXT may denote a **variable** where one option only is to be selected, a **nominal dimension** that needs to be specified, or an **optional feature** that can be removed if not required. Please refer to the back of this page for additional specification details and options.

VISIT BRITEX.COM.AU TO DOWNLOAD BIM FILES, CAD DRAWINGS AND THE MOST CURRENT PRODUCT LITERATURE.



MELBOURNE
Britex Place, Mirra Crt
Bundoora VIC 3083
t (03) 9466 9000
f (03) 9466 9011

SYDNEY
16 Northumberland Drv
Taren Point NSW 2229
t (02) 9531 2100
f (02) 9531 2800

PERTH
Unit 1/8 Principal Link
Malaga WA 6090
t (08) 9249 5464
f (08) 9248 6893

BRISBANE
19 Manila St
East Brisbane QLD 4169
t (07) 3363 2400
f (07) 3363 2444

ADELAIDE
The Britex Group
SA State Office
t 1300 764 744
f 1300 784 306

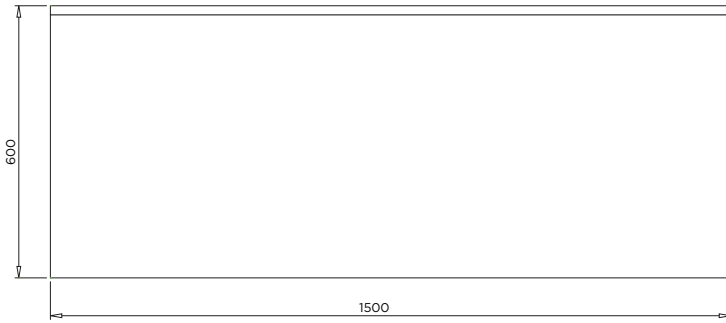
britex.com.au | info@britex.com.au | A.B.N 83 004 309 737

BENCHTECH WORK BENCH

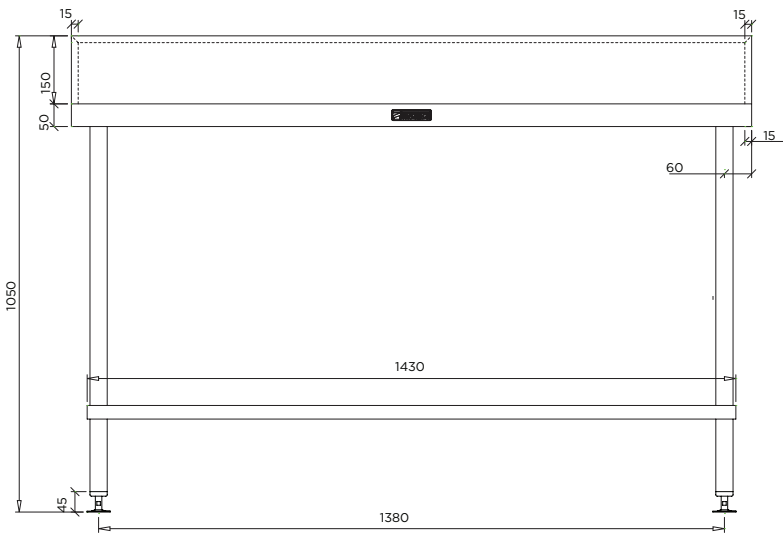
1500mm Long with 150mm Splashback and Solid Undershelf

PRODUCT CODE

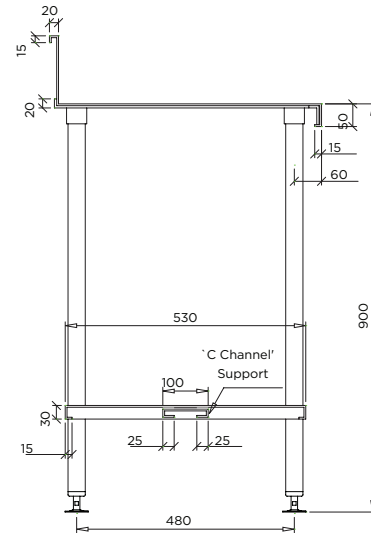
BT-WB-615



MODEL BT-WB-615 Plan



MODEL BT-WB-615 Front Elevation



MODEL BT-WB-615 Section



When specifying this product please include:

- Product **Name** and **Code**
- Product **Dimensions**



- Product Length - Available in: 900, 1200, 1500 and 1800mm Standard Lengths

VISIT BRITEX.COM.AU TO DOWNLOAD BIM FILES, CAD DRAWINGS AND THE MOST CURRENT PRODUCT LITERATURE.



Due to ongoing research and our commitment to product development, details are subject to change without notice. Details accurate at time of print. Please refer to britex.com.au for the most current product information. Allow +/- 5mm tolerance for dimensions and setouts shown in product literature.

britex.com.au | info@britex.com.au | A.B.N 83 004 309 737



BENCHTECH WORK BENCH

1800mm Long with 150mm Splashback and Solid Undershelf

9.23

BENCHTECH

BT-WB-618 / BENCHTECH 1800 x 600 WORK BENCH w SPLASHBACK



features and benefits

- 304 Grade, 1.2mm Thick S.S Benchtop
- 304 Grade, 1.2mm Thick S.S Solid Shelf
- 2.0mm Corrosion Resistant Zinc Plated Steel Substrate Benchtop
- Satin Finish
- 38mm Diameter S.S. Tube Legs
- 150mm Splashback
- S.S. 'C Channel' Reinforcement Shelves

about

BenchTech Work Benches are made from 1.2mm grade 304 stainless steel complete with a 2.0mm corrosion resistant zinc plated steel substrate and come supplied with our S.S. Tube Legs with Adjustable Feet, 150mm splashback and 1.2mm grade 304 stainless steel solid under shelf. A pipe under shelf can be supplied in lieu if requested (please consult Britex). Built to true commercial specifications, the BenchTech modular system can be used for a full kitchen fit-out or integrated with custom -made Britex benches and shelves to achieve a more cost effective overall project solution. Providing absolute value for money, BenchTech is ideal for use in projects such as teaching kitchens, canteens, cafes and restaurants.

sample spec. text

Benchtech 1800mmx600mm Work Bench. Complete with 150mm Splashback and Solid Undershelf - Product Code BT-WB-618

*RED TEXT may denote a **variable** where one option only is to be selected, a **nominal dimension** that needs to be specified, or an **optional feature** that can be removed if not required. Please refer to the back of this page for additional specification details and options.

VISIT BRITEX.COM.AU TO DOWNLOAD BIM FILES, CAD DRAWINGS AND THE MOST CURRENT PRODUCT LITERATURE.



MELBOURNE
Britex Place, Mirra Crt
Bundoora VIC 3083
t (03) 9466 9000
f (03) 9466 9011

SYDNEY
16 Northumberland Drv
Taren Point NSW 2229
t (02) 9531 2100
f (02) 9531 2800

PERTH
Unit 1/8 Principal Link
Malaga WA 6090
t (08) 9249 5464
f (08) 9248 6893

BRISBANE
19 Manila St
East Brisbane QLD 4169
t (07) 3363 2400
f (07) 3363 2444

ADELAIDE
The Britex Group
SA State Office
t 1300 764 744
f 1300 784 306

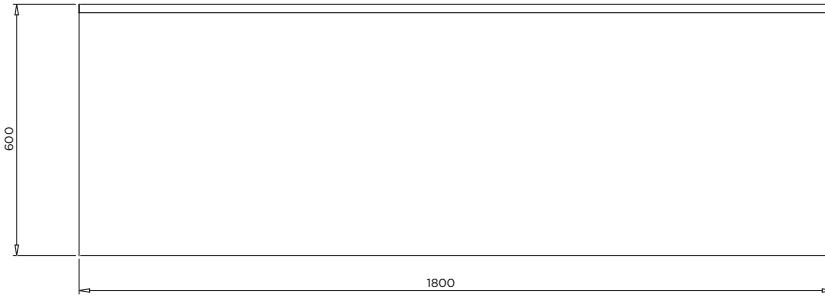
britex.com.au | info@britex.com.au | A.B.N 83 004 309 737

BENCHTECH WORK BENCH

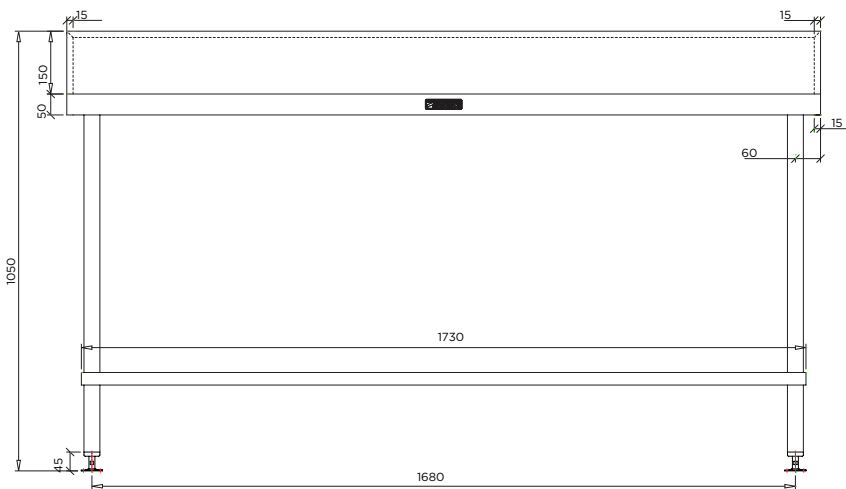
1800mm Long with 150mm Splashback and Solid Undershelf

PRODUCT CODE

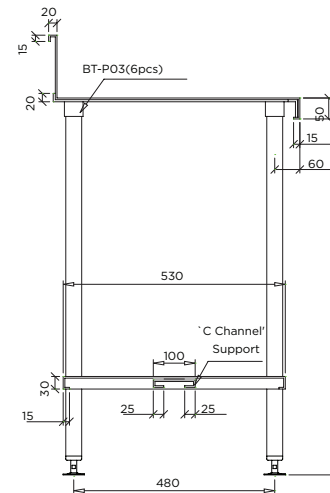
BT-WB-618



MODEL BT-WB-618 Plan



MODEL BT-WB-618 Front Elevation



MODEL BT-WB-618 Section

specifying guide

When specifying this product please include:

- Product **Name** and **Code**
- Product **Dimensions**

options

- Product Length - Available in: 900, 1200, 1500 and 1800mm Standard Lengths

VISIT BRITEX.COM.AU TO DOWNLOAD BIM FILES, CAD DRAWINGS AND THE MOST CURRENT PRODUCT LITERATURE.



Due to ongoing research and our commitment to product development, details are subject to change without notice. Details accurate at time of print. Please refer to britex.com.au for the most current product information. Allow +/- 5mm tolerance for dimensions and setouts shown in product literature.

britex.com.au | info@britex.com.au | A.B.N 83 004 309 737

