



M33 MINI DIGGER



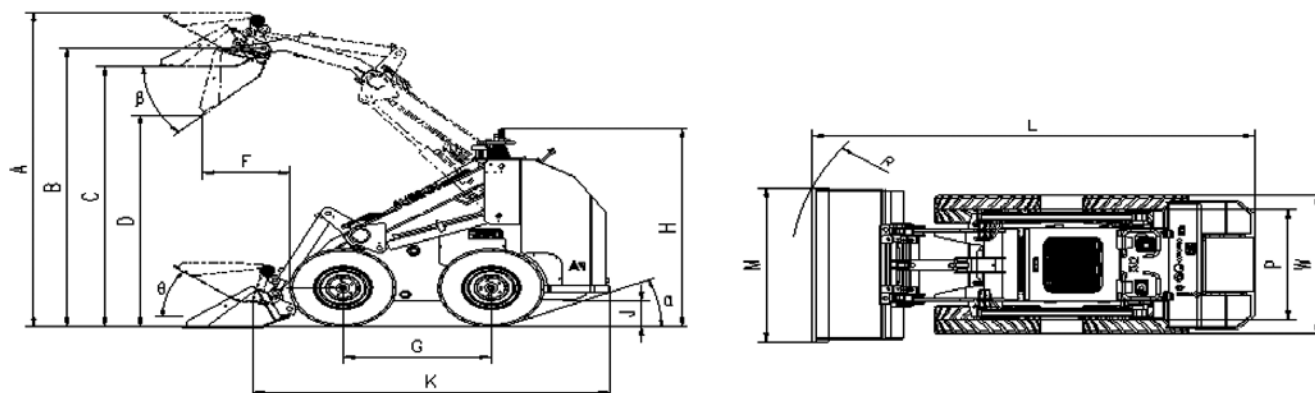
Meerkat



M33 mini digger is MEERKAT's newest and most innovative design model. with 33HP powerful diesel engine , Italy Hansa pump&joystic , 4 wheel drive motors ,it can easy do 5-8 people's work. it will greatly improve your working efficiency . It's a great machine for landscapers , builders ,electricians , contractors ect.



M33 main specification



Model	M33(wheel tires)	M33 (Rubber track)	Model	M33(wheel tires)	M33 (Rubber track)
Max working height (A)	92.72inch(2355mm)	92.72 inch (2355mm)	Departure angle (α)	24°	30°
Max pin height (B)	82.20 inch (2088mm)	83.54 inch (2122mm)	Total height (H)	8.23 inch(1479mm)	59.61 inch (1514mm)
Max bucket in level Height (C)	76.45 inch (1942mm)	77.80 inch (1976mm)	Ground clearance (J)	7.68 inch (195mm)	9.05 inch (230mm)
Max dumping height (D)	62.52 inch (1588mm)	63.86 inch (1622mm)	Minimum turning radius(R)	58.74 inch (1492mm)	59.33 inch (1507mm)
Unloading distance (F)	18.27 inch (464mm)	20.79 inch (528mm)	Length without bucket (K)	77.20 inch (1961mm)	77.20 inch (1961mm)
Wheel base (G)	32.16 inch (817mm)	39.37 inch (1000mm)	Total width (W)	40.55 inch (1030mm)	40.55 inch (1030mm)
Wheel tread (P)	32.24 inch (819 mm)	31.49 inch (800mm)	Bucket width (M)	45.28 inch (1150mm)	45.28 inch (1150 mm)
Discharging angle (β)	43°	43°	Total length(L)	95.98 inch (2438mm)	95.98 inch (2438mm)
Collecting angle (θ)	37°	37°			

Main performance parameter :

Model		M33(wheel tires)	M33 (Rubber track)
Engine	Engine Brand	Perkins 403D-15	
	Rated power	33.2HP/24.4kw	
Hydraulic	Control type	hydraulic joystick control	
	Hydraulic System pressure (Mpa)	20	
	Attachments max output flow	56L/min	
Operating weight		1100kg	
Tipping load (kg)		730	900
Related load (kg)		365	320
Bucket capacity (m ³)		0.15	0.15
Speed (km/h)		8.6	5.5
Fuel tank capacity (L)		53	53
Hydraulic tank capacity (L)		52	52
Tyre model		Wheel tires: 23*8.5-12	Rubber track: 230*72*40

