

1 BASIN ELECTRIC DEEP FRYER 22 LT - TOUCH CONTROL AND OIL FILTRATION SYSTEM

QUEEN9

- AISI 304 stainless-steel bases and worktops, Scotch-Brite finish
- Depth of 900 mm for high power and performance
- 20/10 worktop thickness
- Twin-piece knobs prevent infiltration of dirt and have an IPX5 water ingress protection rating
- Wide range of accessories



Technical / functional characteristics

- High-output electronically-controlled deep fryer.
- AISI 304 stainless-steel worktop, 20/10 thickness.
- AISI 18/10 stainless-steel tanks with cold zone and foam overflow area.
- Pressed frying tank with rounded internal corners.
- Large front recess to prevent spillages caused by overflow of oil and foam.
- 22 L capacity tank.
- IPX5 water ingress protection rating.
- Large cold zone to collect food particles and extend the useful life of the cooking oil.
- Safety thermostat (230°C) to prevent oil from overheating.
- AISI 304 stainless-steel sheathed heating element located inside the tank with rotation exceeding 90° in order to facilitate cleaning of the tank itself.
- Newly-shaped heating element to optimise oil heating and increase power and performance.
- Power modulated heating (variable power delivered according to time and temperature). This special technology offers increased efficiency coupled with optimised energy consumption.
- Control panel with 7" (TPC) high-resolution touch screen display and electronic controller for managing cooking temperature from 0 to 185 °C with an accuracy of ± 1 °C, frying programmes, HACCP alarms, tank cleaning cycle, preheating and 100 °C standby function.
- Temperature control available with melt cycle up to 100 °C.
- Manage up to 30 frying programmes: setting of times, temperatures and maintenance times, representative images. Convenient recipe recall using picture menu. Recipes can be loaded using a USB stick in order to share parameters with several deep fryers so that uniform frying standards in different environments are still easy to achieve.
- Special software recognises frying programmes whose characteristics mean they can be carried out simultaneously and at the same time advises which programmes are incompatible.
- Oil use control software (OLC).


Electric Supply

Oil Cleaning Filter

Hot-Oil circulation process

Oil Life Counter

Certification IPX5

Touch Control Panel

Oil Pump Filtering

DIMENSIONS	
Width (mm)	400
Depth (mm)	900
Height (mm)	900
Gas connection (Ø)	
Electric connection (V/~ /Hz)	400V/3N 50-60 Hz
Cold water connection (Ø)	
Hot water connection (Ø)	

Cold soft water connection (Ø)	
Drain (Ø)	
Gas power (Mj/hr)	
Electric power (kW)	22
Plate dimensions (mm)	
Tank capacity (L)	22
Tank dimensions (mm)	340 x 420 x 325
Internal oven dimensions (mm)	

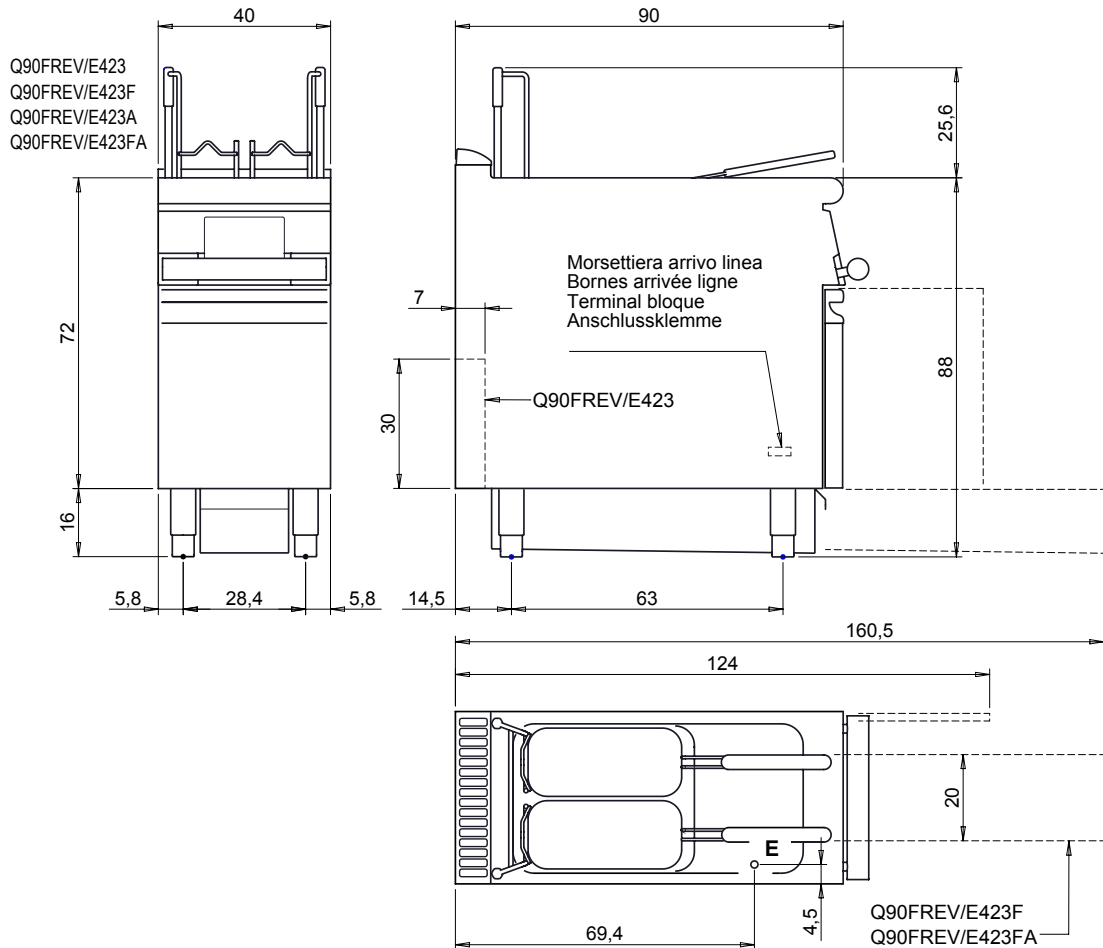
MODEL

Q90FREV/E422F

CODE

CR1209919

MISURE IN cm - DIMENSIONS IN cm - ABMESSUNGEN IN cm- MESURES EN cm
 MEDIDAS EN cm - MATEN IN cm - DIMENSIONES EN cm



Legenda - Legende - Key - Légende - Leyenda - Legenda - Legenda

<p>E Pressacavo entrata linea elettrica - Stopfbuchse - Electric cable stress relief - Presse étoupe de câble él - Pisacable - Elektrische kabelwartel - Entrada cabo eléctrico</p>	<p>G Arrivo gas - Gasanschluss - Gas connection - Arrivée gaz - Union de gas - Gasaansluiting - Ligação gás</p>
<p>S Attacco scarico acqua - Wasserablauf - Water outlet - Vidange de l'eau - Desaguadero - Wateraftapaansluiting - Junção descarga água</p>	<p>H20 Arrivo acqua - Wasseranschluss - Water inlet - Arrivée eau - Union de água - Wateraansluiting - Junção alimentação água</p>
<p>S1 Scarico vasca - Wannenabflussrohr - Pan outlet - Vidange du bac - Descarga cuba - Water toevoer - Descarga da cuba</p>	<p>A1 = Calda - Heiss - Warm - Chaude - Caliente - Warm - Morno A2 = Fredda - Kalt - Cold - Froid - Fria - Koude - Frio</p>
<p>S2 Valvola di depressione - Anti-depression valve - Unterdruck ventil - Soupape de dépression - Válvula de depresión - Onderdrukklep - Válvula de depressão</p>	
<p>S3 Scarico acqua intercapedine - Wasserablauf Zwischenraum - Jacket water drain Evacuation eau double enveloppe - Descarga de agua intersticios - Afvoer water tussenruimte - Descarga de água na marmitta com Sistema de aquecimento indirecto</p>	
<p>S4 Scarico - Abflussrohr - Drain - Tuyau d'évacuation - Tubo de drenaje - Aftapbuis - Tubulação de drenó</p>	<p>L Rubinetto di livello - Level tap - Wasserhahn - Robinet de niveau - Grifo de nivel - Niveaakraan - Torneira de nível</p>