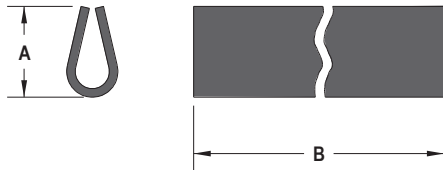


Grommet Channels

TPE "DS" Channel



This flexible Grommet Channel is ideal for protecting panel edges from being damaged.

For use as wear strips, non-abrasive edging, noise-reducing conveyor strips, framing, or to protect from sharp edges. Features built-in lubricant for reduced friction and longer part life.

FIT PANEL THICKNESS RANGE (mm)		PART NO.	PART DIMENSIONS (mm)	
MIN	MAX		A OVERALL HEIGHT	B LENGTH
1.2 m STRIP				
0.8	1.6	12430	7.6	1.2
0.5	3.2	12431	9.5	
0.8	4.8	12432	12.7	
1.1	6.4	12433	15.9	
30.5 m ROLL				
0.8	1.6	12430R	7.6	30.5
0.5	3.2	12431R	9.8	

Quick Specs

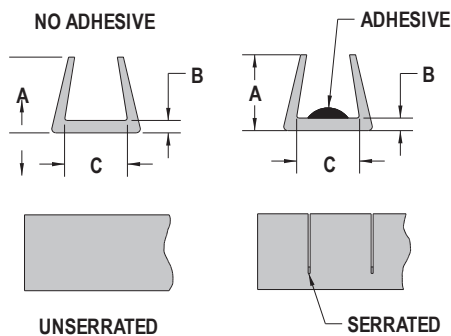
Material	PA66/6 MDS Filled Nylon
Colour	Grey
Flammability Rating	94-HB
Temperature Range	-40°C to 65°C

Continuous Grommet Rolls

Nylon 30.5 m Roll



Ideal for tight radii or irregular panel holes and cut-outs.



FIT PANEL THICKNESS RANGE (mm)		PART NO.	PART DIMENSIONS (mm)		
MIN	MAX		A HEIGHT	B BOT THICKNESS	B BOT WIDTH
Unserrated					
0.7	0.9	12411	3.2	0.8	0.8
0.9	1.8	12412	4.4	0.8	2.8
Unserrated, with Adhesive					
0.9	1.8	12416	4.4	0.8	2.8
1.8	2.07	12417			
2.7	4.2	12418			
Serrated					
0.7	0.9	12419	3.2	0.8	0.8
0.9	1.8	12420	4.4	0.8	2.8
1.8	2.7	12421			
2.7	4.2	12422			
Serrated, with Adhesive					
0.9	1.8	12426	4.4	0.8	2.8
1.8	2.7	12427			

Quick Specs

Material	Nylon
Colour	Natural, Black also available.
Flammability Rating	94-HB
Temperature Range	-40°C to 85°C