

Atlas Copco



# The Utility range

What do you integrate?

# The Utility range

The dictionary defines the word utility as the state of being useful, profitable or beneficial – the Utility range combines all three benefits inside a lightweight, compact package. Its small footprint and single side service make it perfect to integrate on a utility truck. A high efficient source of compressed air, no matter where you are.

The Utility range offers models with our revolutionary PACE system. PACE enables you to control the pressure to regulate the flow – giving you even more versatility to handle the several applications with just one compressor. Several models also offer integrated generators.

The single side service allows for easy servicing, which can be completed within the hour. All models come with a corrosion free C3 rated canopy, to guarantee higher lifetime of the machine.



## Small Footprint



A footprint at least 10% more compact than any comparable model. Easy to transport. Stackable up to 3 levels.

## Service



Simplicity, speed and long service intervals. Service takes less than 60 minutes and no special tools are required. Easy access thanks to single side service.

## Built better



More features as standard. Breaking new ground when it comes to efficiency. Made for Ambient temperature from -20 to 50 °C /C3 certified canopy to protect your compressor from corrosion.

## Introducing PACE technology

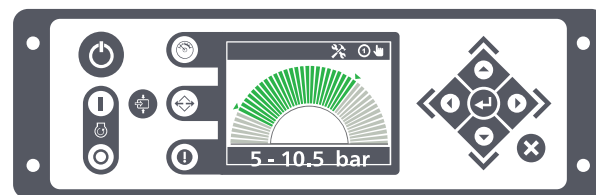
### What PACE is:

- ✓ An electronic regulation system programmed via a digital controller.
- ✓ A system that offers the widest operating pressure range within a single compressor. Allows multiple pressure settings.
- ✓ A simple to use system with pinpoint accuracy and ensuring safety. Guaranteeing the long-term performance of the compressor.
- ✓ A system that gives you the versatility of three machines in one package.

### What PACE is NOT:

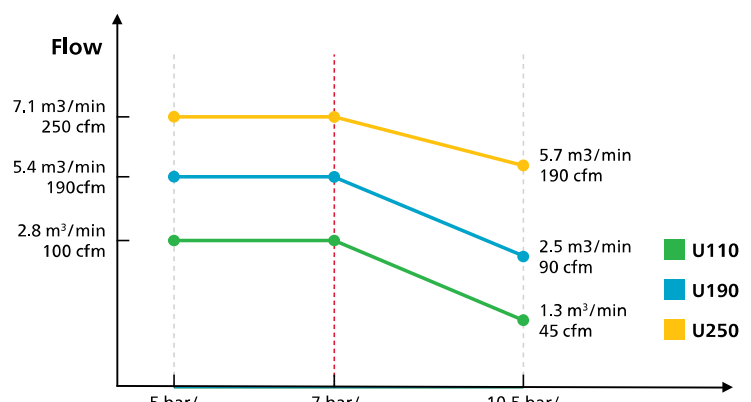
- ✗ A linear system where adjusting the pressure dictates the flow.
- ✗ A regulation valve where you use guess work to manually adjust the settings.

You pick the pressure...



The PACE controller locks in, and regulates, the perfect combination!

### Operating Range for U range





## TECHNICAL DATA

### U75-U110 (PACE)

### U130-U190 (PACE)

### U190-12-U250 (PACE)

Performance		U 75	U 110	U110 PACE	U 130	U 175	U 190	U 190 PACE	U190-12	U250	U250 PACE
Normal effective working pressure	bar (g)	7	7	5-10,5	7	7	7	5-10,5	12	7	5 - 10.5
	psi (g)	100	100	70-150	100	100	100	70 - 150	175	100	70 - 150
Free air delivery	cfm	75	100	45-100	130	175	190	90-190	190	250	200-250
	m <sup>3</sup> /min	2,1	2,8	1,3-2,8	3,7	5	5,4	5,4 - 2,5	5,5	7,1	5,7 - 7,1
Max. ambient temperature at sea level	°C	50	50	50	50	50	50	50	50	50	50
Min. starting temperature / cold start kit	°C	-10/-20	-10/-20	-10/-20	-10/-20	-10/-20	-10/-20	-10/-20	-10/-20	-10/-20	-10/-20

Engine											
Model		Kubota D722	Kubota D902	Kubota D902	Kubota V 1505	Kubota V 1505T	Kubota V 1505T	Kubota V 1505T	"Kubota V2403T"	"Kubota V2403T"	"Kubota V2403T"
Number of cylinders		3	3	3	4	4	4	4	4	4	4
Power output @ normal shaft speed	kW	14,9	18,5	18,5	26,5	32,5	32,5	32,5	47,9	47,9	47,9
Full load RPM	rpm	3400	3600	3600	3000	3000	3000	3000	2700	2700	2700
Unload RPM	rpm	1800	2000	2000	1600	1600	1600	1600	1600	1600	1600

Capacity											
Engine oil	l	3	3	3	5,5	5,5	5,5	5,5	9,5	9,5	9,5
Compressor oil	l	5	5	5	9	9	9	9	11	11	11
Fuel tank	l	30	30	30	62	62	62	62	100	100	100
Cooling system	l	5	5	5	8,5	8,5	8,5	8,5	11,5	11,5	11,5
Optional extended fuel tank	l	N/A	N/A	N/A	24	24	24	24	30	30	30

Dimensions											
Length	mm	1580	1580	1580	1870	1870	1870	1870	2050	2050	2050
Width	mm	740	740	740	950	950	950	950	1200	1200	1200
Height	mm	850	850	850	1040	1040	1040	1040	1230	1230	1230
Weight (inc. fuel)	kg	488	488	498	704	704	704	720	1200	1200	1200



## AS STANDARD

- Best in class fuel efficiency.
- A footprint at least 10% smaller than comparable models.
- Starter motor protection system.
- High-humidity C3 corrosion protection coating.
- 1500 hours/two years service interval.
- Integrated lifting slots and top-hook.
- Long fuel autonomy to run a full shift.
- Heavy duty fuel filters as standard
- Spillage free frame with forklift slots and centralized drain points.
- Single side service with Spin-on oil separator element.



## OPTIONAL EXTRAS

- PACE system (Pressure Adjustment thru Cognitive Electronics): You control the pressure and the machine regulates the flow.
- Generator option: Turn your compressor into a multi-function machine for both air and power. (6 kVA semi-simultaneous and a 15 kVA non-simultaneous).
- Integrated aftercooler/water separator/fine filter (PD) to guarantee better air quality.
- Plus many more. Including customized colours, refinery equipment, hose reel and additional fuel tank.

# Power Technique Solutions Portfolio

Atlas Copco's Power Technique Business Area has a forward-thinking philosophy. For us, creating customer value is all about anticipating and exceeding your future needs – while never compromising our environmental principles. Looking ahead and staying ahead is the only way we can ensure we are your long term partner.

## Air compressors

### Ready to go



- 1-5 m<sup>3</sup>/min
- 7-12 bar

### Versatility



- 5.5-22 m<sup>3</sup>/min
  - 7-20 bar
- \*Diesel and electric options available

### Productivity partner



- 19-116 m<sup>3</sup>/min
- 10-345 bar

## Handheld tools

### Pneumatic tools



- Breakers (4 – 40 kg)
- Rockdrills (5 – 25 kg)
- Additional Air Tools

### Hydraulic tools



- Breakers (11 – 40 kg)
- Rockdrills (23 kg)
- Additional Hydraulic Tools
- Powerpacks

### Petrol engine driven tools



- Breakers & Tampers (25 kg)
- Rockdrills (23 Kg)

### Generators



- Portable
- Mobile
- Industrial

\*Multiple configurations available to produce power for any size application

### Light towers



- Diesel LED and MH
- Electric LED
- Battery LED

### Dewatering pumps



- Submersible
- Surface
- Small portable

\*Diesel and electric options available

Photos and illustrations contained herein might depict products with optional and/or extra components which are not included with the standard version of the product and, therefore, are not included in a purchase of such product unless the customer specifically purchases such optional/extra components. We reserve the right to change the specifications and design of products described in this literature without notice. Not all products are available in all markets.

# U 190-250 PACE KD WUX

## Portable Compressor



### Standard Scope of Supply

The Atlas Copco U 190-12, U 250 and U 250 PACE are single-stage, oil-injected screw compressors, powered by liquid-cooled, four-cylinder Kubota diesel engine.

The unit consist of one high efficient compressor element, diesel engine, cooling, air/oil separation and control systems - all enclosed within silenced XA strong steel canopy.

Special attention has been given to the overall product quality, user friendliness, ease of serviceability, and economical operation to ensure best in class cost of ownership.

The Unique feature of this new range is the PACE functionality coupled with the intuitive XC2003 controller.

This pioneering technology enables multiple pressure and flow settings, ensuring you match air flow and pressure to your application needs.

### Available Models

U 190-12	Single Stage – 190 cfm@175 psi – Kubota Diesel Engine
U 250	Single Stage – 250 cfm@100 psi – Kubota Diesel Engine
U 250 PACE	Single Stage – 200-250 cfm@100-150 psi – Kubota Diesel Engine

### Features

- 10% lighter and 3-layer stackable
- PACE
- 3 layers Zincor, Primer and Powder coating
- Low noise emissions
- Single side service
- 1500 hours service interval
- Generator option

### Benefits

- Save transport and storage cost
- You control the pressure and flow
- Optimal protection against corrosion
- Protecting the environment
- Change of consumable in 1 hour
- Increase uptime, lower cost to owner
- Air and power combined in one machine

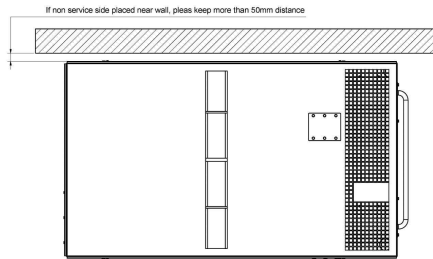
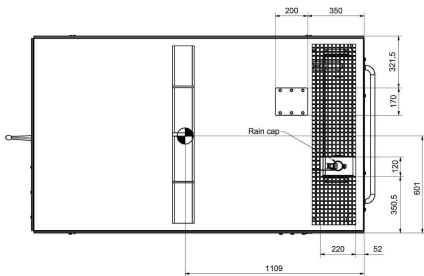
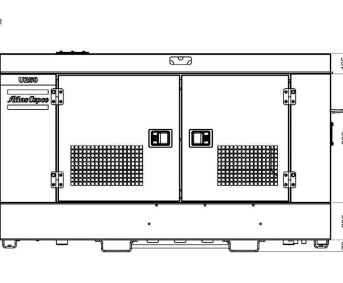
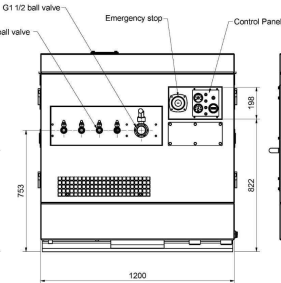
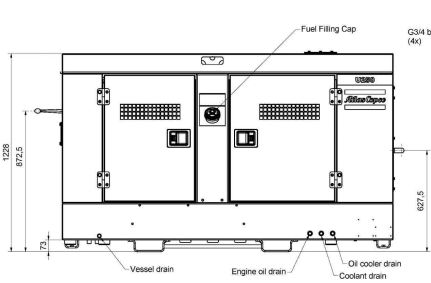
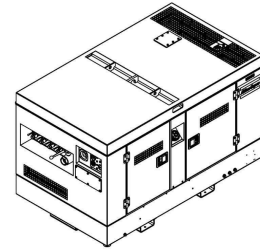
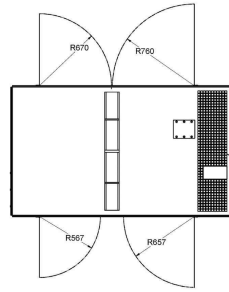
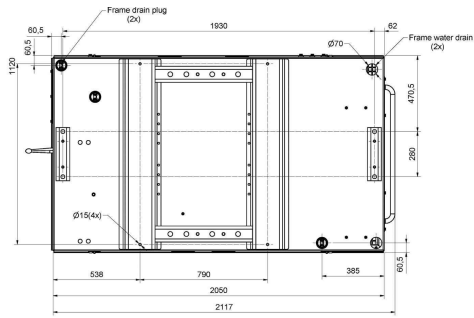
# U 190-250 PACE KD WUX - Product Reference

## Technical data basic unit\*

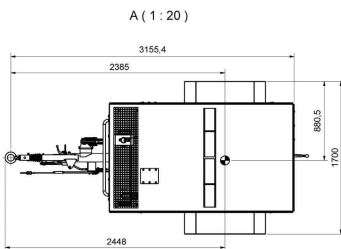
Model		U 190-12	U 250	U 250 PACE
Normal effective working pressure	bar	12	7	7 - 10.5
Absolute inlet pressure	bar	1	1	1
Relative air humidity	%	0	0	0
Air inlet temperature	°C	20	20	20
Minimum effective receiver pressure	bar	4	5	5
Maximum effective receiver pressure (Unloaded)	bar	14	8.3	12
Actual free air delivery	m <sup>3</sup> /min	5.5	7.1	7.1 - 5.7
Fuel consumption				
at 100% FAD (full load)	kg/h	10.93	10.93	10.93
at 75% FAD	kg/h	7.81	7.81	
at 50% FAD	kg/h	6.38	6.38	
at 25% FAD	kg/h	5.02	5.02	
Specific fuel consumption at 100% FAD	g/m <sup>3</sup>	26.734	26.734	26.734
Maximum typical oil content of compressed air	mg/m <sup>3</sup>	5	5	5
Max. sound pressure level (Lw @ 2000/14/EC)	dB(A)	-	-	-
Max. sound pressure level (Lp @ ISO 2151)	dB(A)	-	-	-
Compressed air temperature at outlet valve without AC	°C	90	90	90
Max. ambient temperature at sea level without aftercooler	°C	50	50	50
Min. starting temperature with cold weather equipment	°C	-20	-20	-20
Min. starting temperature without cold weather equipment	°C	-10	-10	-10
Number of compression stages		1	1	1
<b>Engine</b>			Kubota	
Type			V2403T	
Coolant			Liquid (glycol 50%)	
Number of cylinders			4	
Bore	mm		87	
Stroke	mm		102.4	
Swept volume	l		2.4	
Engine power at normal shaft speed @ SAE J 1995	kW		47.9	
Full load RPM	rpm		2700	
Unload RPM	rpm		1600	
Capacity of oil sump	l		9.5	
Capacity of compressor oil system	l		11	
Net capacity of air receiver	l		30	
Air volume at inlet grating (approx.)	m <sup>3</sup> /s		2.7	
Capacity of standard fuel tanks	l		100	
Optional extended fuel tank	l		30	
Weight - Box*	kg		1200	
Weight - Box + Undercarriage*	kg		1400	

\* Refer to data plate for exact value

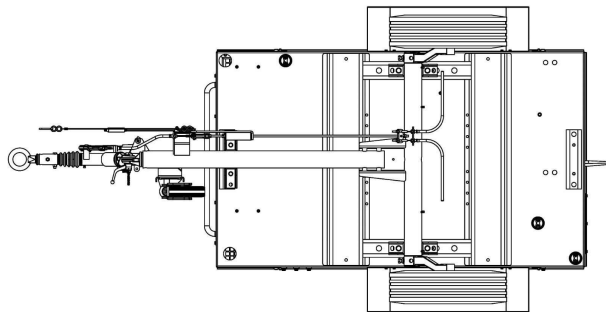
## Dimensions



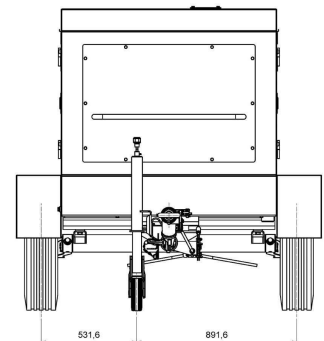
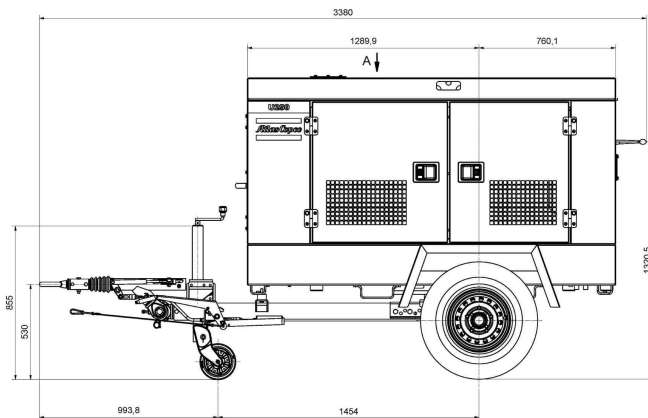
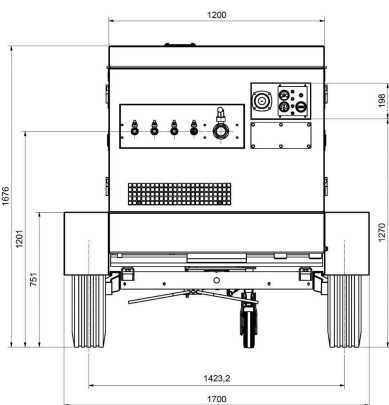
		BASIC UNIT					
NET MASS	X <sub>2</sub>	Y <sub>2</sub>	Z <sub>2</sub>	NET MASS	X <sub>2</sub>	Y <sub>2</sub>	Z <sub>2</sub>
kg	mm	mm	mm	kg	mm	mm	mm
1900	2448	867	432	1700	2448	867	432
Type		BOX					
Commercial Name		U190-12 / U250					
Total max. Weight		1200kg					
		General Information					
ATLAS COPCO STANDARD CLASS		1300K - IV					



A (1:20)



		BASIC UNIT					
NET MASS	X <sub>2</sub>	Y <sub>2</sub>	Z <sub>2</sub>	NET MASS	X <sub>2</sub>	Y <sub>2</sub>	Z <sub>2</sub>
kg	mm	mm	mm	kg	mm	mm	mm
1700	2448	867	432	1700	2448	867	432
Type		BOX + UNDER CARRIAGE					
Commercial Name		U190-12 / U250					
Total max. Weight		1400kg					
		General Information					
ATLAS COPCO STANDARD CLASS		1300K - IV					



## Principle Data

### Compressor Element

The quality of a compressor can be measured through the reliability, efficiency and durability of the compressor element used. Through decades of expertise in the design of compressor elements, the result is the production of most efficient and reliable compressors on the market.

### Air/Oil Separator

Air and oil separation is achieved through a centrifugal oil separator combined with a filter element.

Designed for a higher maximum working pressure, the separator is equipped with a high pressure sealed and certified safety relief valve, automatic blow-down valve.

### Cooling System

The engine is provided with a coolant cooler and the compressor is provided with an oil cooler. The cooling air is generated by a fan, driven by the engine.

### Compressor Regulating System / PACE

The compressor is provided with a continuous pneumatic regulating system and a blow-off valve which is integrated in the unloader assembly.

Introduction of intuitive PACE functionality allows the compressor to operate at any pressure setting between 5 and 10.5 bar.

Economic power consumption is assured by the fully automatic, step-less speed regulator that adapts engine speed to air demand.

### Discharge Outlets

Compressed air is available from 4 x G  $\frac{3}{4}$  and 1 x G  $1\frac{1}{2}$  outlet valves.

## Engine

### Kubota Diesel Engine

The compressor is driven by a liquid-cooled, four-cylinder Kubota V2403T diesel engine. The engine's power is transmitted to the compressor element through a heavy-duty coupling.

## Electrical System

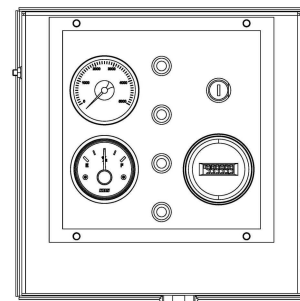
The U 190-12, U 250 and U 250 PACE are equipped with a 12-volt negative ground electrical system.

### Instrumentation - U 190-12, U 250 - Control Panel

The instrument control panel is located on the side of the compressor canopy.

The control panel has the following: Engine ignition key port, Pressure gauge, Battery malfunction indicator, Compressor outlet temperature high indicator, Fuel gauge, Meter for running hours and Oil temperature indicator.

Starting is achieved with a three-position switch for ease of operation.



### Instrumentation - U 250 PACE - XC2003

The XC2003 control panel is located on the side of the compressor canopy.

The intuitive Atlas Copco XC2003 controller is easy to operate with all functions conveniently at your fingertips. The controller also manages the engine ECU operating system, and a number of safety warnings and shut downs on various parameters (listed below).

#### XC2003 Controller Functionality:

- Displayed while running
  - Hours
  - Fuel level
  - DEF level
  - RPM
  - Outlet pressure
- Operational Buttons
  - Start and stop of the unit
  - View measurements, settings and alarms
  - Multi position cursor to navigate menus



- Compressor measurements displayed
  - Running hours
  - Fuel level
  - Clock
  - Battery voltage
  - Running hours
  - Regulating pressure
  - Emergency stop count
  - Average fuel consumption
  - Minor and major service counters in hours and days
- Warnings and Shutdowns
  - High temperature engine coolant
  - High temperature compressor oil
  - Engine oil pressure
  - Low fuel level
  - High DPF soot level
- Settings
  - Manual regeneration of DPF
  - Reset service timers
  - Diagnostics for engine ECU
  - Language settings
  - Unit of measure changes
- Engine measurements displayed
  - Current fuel rate
  - Engine coolant temperature
  - Engine oil pressure
  - DPF Soot level
  - Engine RPM
- Alarms
  - View current & historical alarms present
  - History of last 20 alarms and events with time and date stamps
  - DM1 & DM2: View current engine codes (SPN/FMI)



### Safety Devices

The compressor is standard equipped with safety devices for the compressor and the engine. The unit will be completely turned off should:

- Engine oil temperature rise too high
- Engine oil pressure drop too low
- Outlet temperature of the compressed air goes outside a specified range.
- Low fuel level

The main switch is a protection against unintended starting of the compressor.

### Bodywork

The compressor is delivered as standard with 3 layers zincor, primer and powder coating providing excellent corrosion protection. The canopy is sound attenuated to meet the most current legal noise requirements. Wide doors provide complete service access to all components.

### Manufacturing & Environmental Standards

The U 190-12, U 250 and U 250 PACE are manufactured following stringent ISO 9001 regulations, and by a fully implemented Environmental Management System fulfilling ISO 14001 requirements. Attention has been given to ensure minimum negative impact to the environment.

### Supplied Documentation

The unit is delivered with the following documents and certificates:

- Spare parts list for compressor.
- Instruction manual for both compressor and engine.
- Machine test certificate
- Vessel certificate.

## Warranty Coverage

---

- Please refer to product presentation for warranty info.
- Extended Warranty Programs are available; please contact your local sales representative for more info.

\* **Note:** Due to continuous improvements in the products, the technical specifications are subject to change without prior notice.