

- 6.0t
- 19.2m boom
- 23.0m with offset fly jib

- 4 Fall hook block
- Diesel/Electric option

- Rubber tracks
- Load moment indicator system

The UNIC URW-706 sets one of the highest standards of lifting capability in the mini crane world. With a 6.0t capacity at 3.0m and a hook height of 19.5m and at 1670mm wide it is still narrow enough to gain access through a standard double doorway. For added lifting flexibility the 706 also features an optional searcher hook and a 3.1m long swing away fly jib, providing a maximum hook height of 22.7m. Consider the possibilities...

# SPECIFICATIONS

## UNIC URW-706

### DIMENSIONS

Length	5610mm
Width	1670mm
Height	2185mm
Weight	8370kg

### CAPACITY

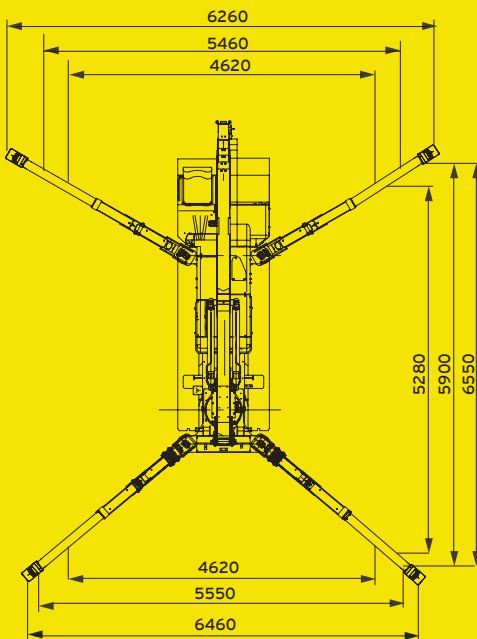
Max. capacity	6000kg at 3.0m
Max. working radius (main boom)	200kg at 18.6m
Max. working radius (fly jib)	300kg at 15.0m
Max. lifting height (main boom)	19.2m
Max. lifting height (fly jib)	23.0m

### TRACK

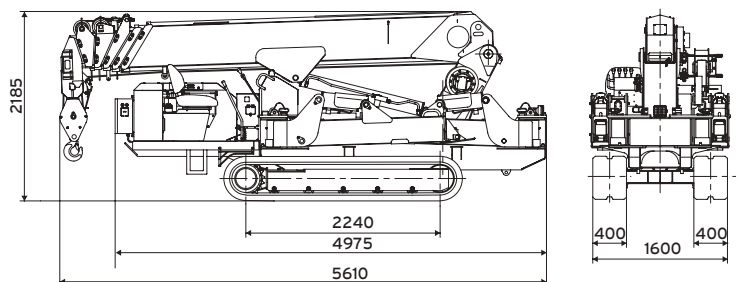
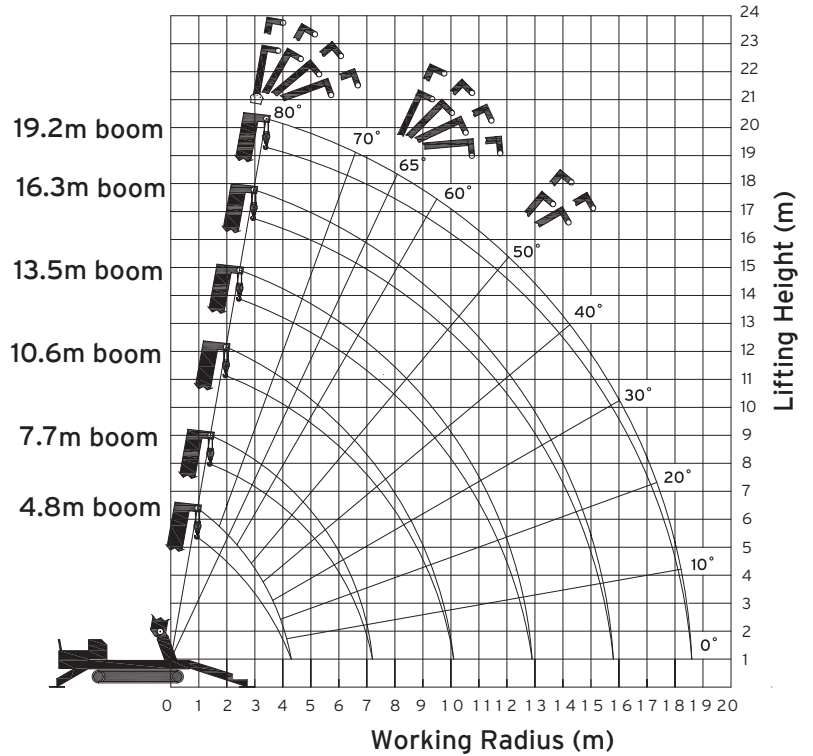
Width	400mm
-------	-------

### MIN. TRANSPORT WIDTH

Overall Track	1600mm
Overall Unit	1670mm



### WORKING RANGE



COUNT ON US

1800 440 550 | [prestonhire.com.au](http://prestonhire.com.au)

# LOAD CHART

## UNIC URW-706

### LOAD CHART

#### TOTAL RATED LOAD - OUTRIGGERS AT MAXIMUM POSITION

4.8m Boom		4.8 - 7.7m Boom		7.7 - 10.6m Boom		10.6 - 13.5m Boom		13.5 - 16.3m Boom		16.3 - 19.2m Boom	
Working Radius (m)	Total Rated Load (kg)	Working Radius (m)	Total Rated Load (kg)	Working Radius (m)	Total Rated Load (kg)	Working Radius (m)	Total Rated Load (kg)	Working Radius (m)	Total Rated Load (kg)	Working Radius (m)	Total Rated Load (kg)
1st stage extended		2nd stage extended		3rd stage extended		4th stage extended		5th stage extended		6th stage extended	
2.7	6000	2.0	6000	2.7	4550	5.0	2950	6.0	2350	8.0	1350
3.0	6000	3.0	6000	4.0	4550	6.0	2550	8.0	1700	10.0	1000
3.5	5450	3.5	5350	5.0	3650	7.0	2150	9.0	1400	12.0	800
4.0	4850	4.0	4750	6.0	2950	8.0	1850	10.0	1200	14.0	600
4.3	3950	5.0	3750	7.0	2400	9.0	1500	11.0	1000	16.0	400
		6.0	2950	8.0	1800	10.0	1200	12.0	850	18.0	250
		7.0	2250	9.0	1350	11.0	950	13.0	700	18.6	200
		7.2	2000	10.0	950	12.0	800	14.0	600		
				10.1	950	12.9	450	15.0	500		
								15.8	400		

#### TOTAL RATED LOAD - OUTRIGGERS AT INTERMEDIATE POSITION

4.8m Boom		4.8 - 7.7m Boom		7.7 - 10.6m Boom		10.6 - 13.5m Boom		13.5 - 16.3m Boom		16.3 - 19.2m Boom	
Working Radius (m)	Total Rated Load (kg)	Working Radius (m)	Total Rated Load (kg)	Working Radius (m)	Total Rated Load (kg)	Working Radius (m)	Total Rated Load (kg)	Working Radius (m)	Total Rated Load (kg)	Working Radius (m)	Total Rated Load (kg)
1st stage extended		2nd stage extended		3rd stage extended		4th stage extended		5th stage extended		6th stage extended	
2.7	6000	2.0	6000	2.7	4550	5.0	2950	6.0	2350	8.0	1350
3.0	6000	3.0	6000	4.0	4550	6.0	2550	8.0	1500	10.0	1000
3.5	5450	3.5	5350	5.0	3650	7.0	1850	9.0	1150	12.0	650
4.0	4850	4.0	4750	6.0	2950	8.0	1400	10.0	950	14.0	450
4.3	3950	5.0	3750	7.0	1750	9.0	1100	11.0	750	16.0	300
		6.0	2450	8.0	1300	10.0	850	12.0	600	18.0	200
		7.0	1700	9.0	950	11.0	650	13.0	500	18.6	150
		7.2	1550	10.0	700	12.0	550	14.0	400		
				10.1	700	12.9	400	15.0	300		
								15.8	250		



COUNT ON US

The total rated load charts are based on the actual working radius including boom

1800 440 550 | [prestonhire.com.au](http://prestonhire.com.au)



# SPECIALISED EQUIPMENT HIRE SOLUTIONS



## Branch Locations

### NSW/ACT

25-39 Chadderton Street,  
Cabramatta NSW 2166  
nswsales@prestonhire.com.au

### NSW

56 Sandringham Place,  
Thornton, NSW, 2322  
nswsales@prestonhire.com.au

### QLD

83 Parramatta Road,  
Underwood, QLD 4119  
qldsales@prestonhire.com.au

### VIC/TAS

38 Sunline Dr,  
Truganina, VIC 3029  
vicsales@prestonhire.com.au

### WA/NT

Unit 2,8 Hunt Street,  
Malaga, WA 6090  
wasales@prestonhire.com.au

### SA

102 Cormack Road,  
Wingfield, SA 5013  
sasales@prestonhire.com.au

*\*Preston Hire available across Oceania*



COUNT ON US

1800 440 550 | [prestonhire.com.au](http://prestonhire.com.au)