

**Astralite®**

Minor Surgical and Examination Lights



**HD  
LED®**

**SAL** | COMMERCIAL

# Astralite® Real Operating Lights for Minor Surgery & Examination



*“Brandon Medical is a UK manufacturer and designer of world-leading technology for operating theatres, critical care areas and primary care institutions. For over 70 years, Brandon Medical has provided healthcare professionals with reliable, high-quality and affordable medical equipment. Continuous investment in our products allows us to meet the ever-changing needs of our customers, the healthcare industry and the patients it serves.”*



## **Lights to suit all of your clinical needs**

Brandon Medical provides a comprehensive range of LED medical lights to suit all of your clinical needs. Brandon Medical's LED medical lights use the latest innovations in LED lighting technology to provide you with better performance and lower lifetime costs. The choice of medical lights we offer vary in light intensity, light colour, mounting structures and price so you can choose a light that meets all of your clinical examination needs.





**HD  
LED**®

## High-Definition Surgical Lighting

*"HD-LED® is a breakthrough technology with vastly better performance than standard definition LED or conventional surgical lights."*

### Full Spectrum Colour Rendition

The only surgical lighting with near perfect colour rendition across the full visible spectrum. Natural white light picks out all the visible colours for your eyes so you can clearly see without eye strain.

- Easy to distinguish small differences in tissue
- All the colours are strong and vibrant
- Reduced eye strain by making the light do the work instead of the eye



### Fat Beam Illumination

Higher light flux ensures the biggest beams of light in the business, bigger illuminated fields and more light across the full width of the illuminated area.

- High light intensity across the full illuminated area for uniform vision
- Avoids visual distraction by reducing high contrast in the illuminated area
- Adjust the beam size to suit your working area to eliminate peripheral distraction



### Red Balance Control

With the highest  $R_9$  red colour rendition of any other product, Astralite® provides optimum visualisation of red tissues. Red balance enhancement compensates for our natural weakness in distinguishing shades of red and is user adjustable to fine-tune the light to match our own red vision and the surgical conditions.

- Enhanced visualisation of red tissues
- Improved differentiation between tissues of similar colour
- You can adjust the light colour to match your own optical colour response



# Astralite® Real Operating Lights for Minor Surgery & Examination



## Large Movement Range

Astralite® is designed so that the light head can be positioned all the way around the couch to examine all parts of the patient. The 5 rotations allow easy positioning of the light beam from any angle.

## Long Life

LED life is greater than 50,000 hours which equates to more than 20 years of normal use.

## Environmentally Friendly

Astralite® uses less than 32 VA. LEDs are mercury free and do not contain CFCs, POPs, VOCs, halogens or other harmful chemicals.

## Economical

Never having to change a bulb for the lifetime of the product means that Astralite® is highly economical. LED is substantially more efficient at producing more surgical quality light for less power.

## Designed to Minimise Infections

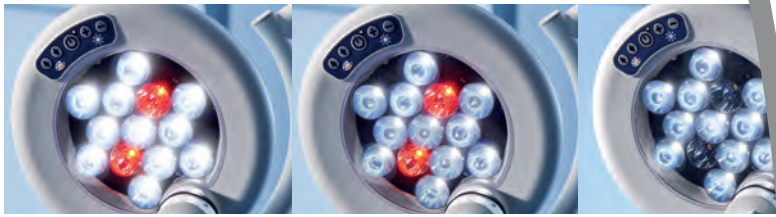
Anti-microbial additives are used to destroy harmful bacteria. The smooth, continuous surfaces are easy to wipe clean, with split lines kept to a bare minimum. The Astralite® light head is sealed against the ingress of dirt and liquids to prevent contamination.



Polygiene®

Safer to Touch





## High Intensity Cold Light

Choose between the AL10 with 70,000 Lux at 1m or the even more powerful ALE10 with 100,000 Lux at 1m.

## More Control

- Auto-On when any control is touched
- Focusable beam by twisting the handle
- Light intensity control (8 steps)
- Adjustable colour by Red Balance Control

## Adjustable Colour Contrast

The colour of the light can be adjusted depending on skin, tissue or wound to select the optimum lighting.

## Large Illuminated Field

All models produce a large 250mm max. diameter light field with a 70-140cm working distance.

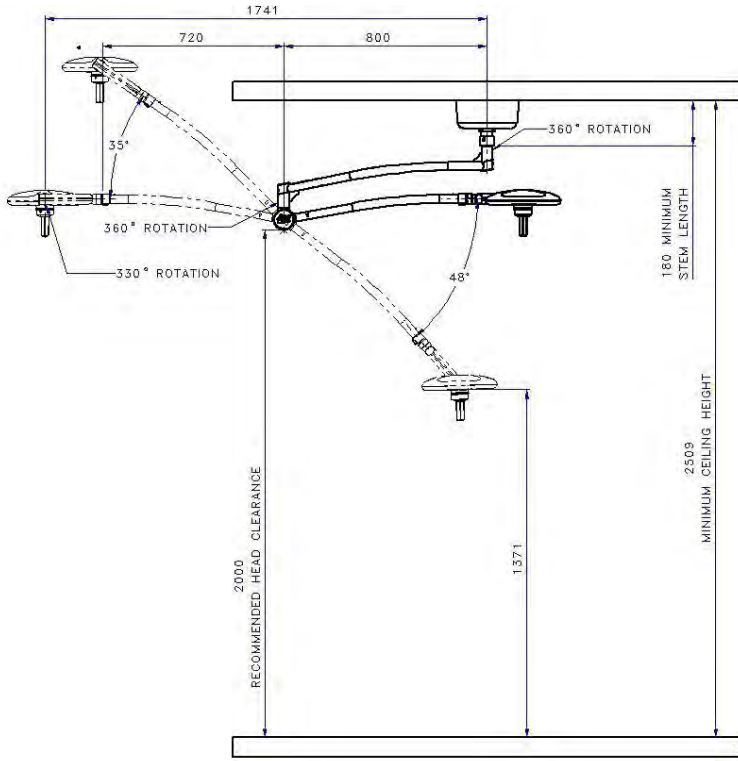
## Sterilisable Handle Option

The standard handle is very easy to clean and accepts most disposable covers. A re-sterilisable handle is an optional item.

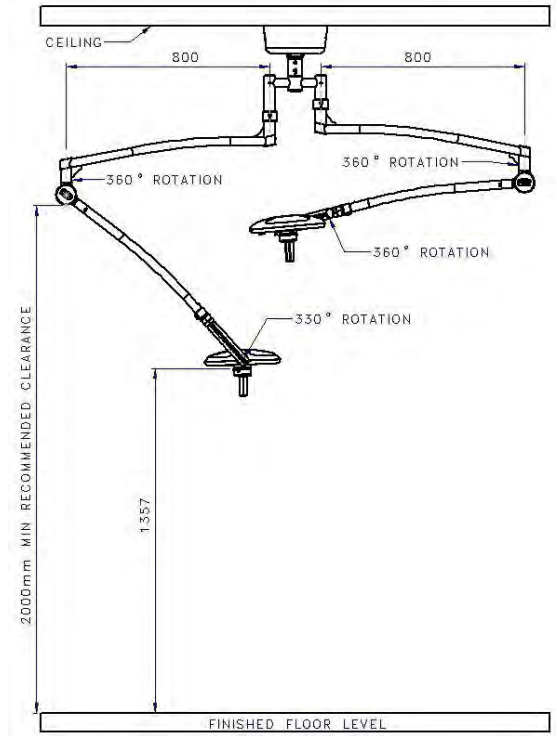
# Astralite® Real Operating Lights for Minor Surgery & Examination



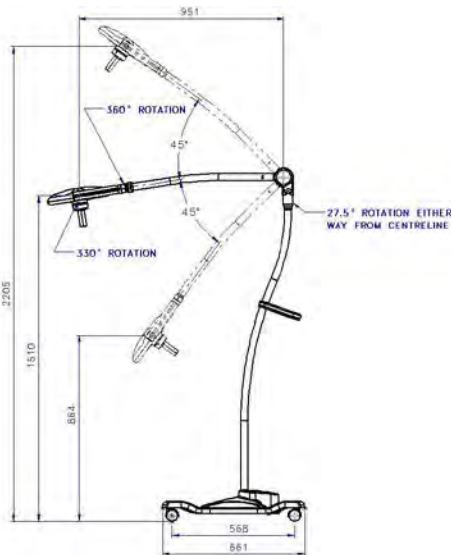
**Ceiling Model (AL10CJ, ALE10CJ)**



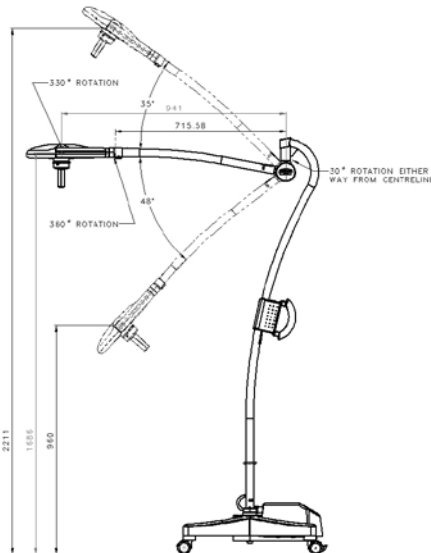
**Tandem Model (ALE1010TJ)**



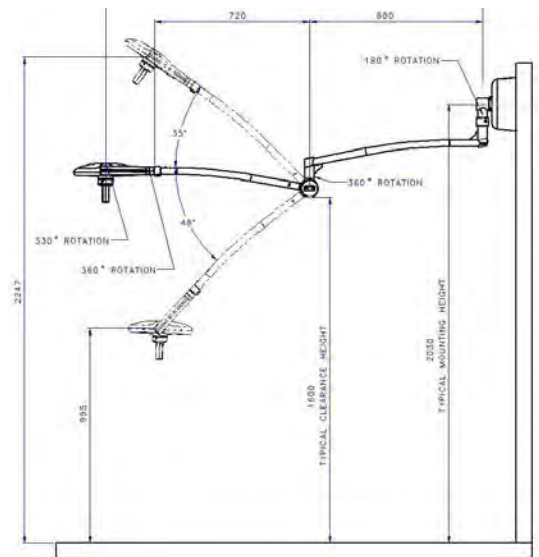
**Mobile Model (AL10MO, ALE10MO)**



**Battery Back Up Model (ALE10MEL)**



**Wall Model (AL10WJ, ALE10WJ)**





## Handle Options



Astralite® is supplied with a standard light handle



Sterilisable handle is available as an optional extra

Light Quality Characteristics	AL10	ALE10
Maximum Light Intensity	70,000 Lux (Adjustable 8 Steps)	100,000 Lux (Adjustable 8 Steps)
Power Consumption	<32 VA	
Colour Temperature	3,500°K - 5,000°K (6 Steps)	
Colour Rendition Index R <sub>a</sub>	≥ 95	
Colour Rendition (Red) R <sub>g</sub>	≥ 95	
Beam Size d10 @ 1m	180 mm	
Field Size	250mm	
LED Life	> 50,000 Hours	
Input Volts	100 - 240 Vac 50/60 Hz	

Part Number	Description
AL10CJ	Astralite 10 Minor Surgical Ceiling Lamp
AL10MO	Astralite 10 Minor Surgical Mobile Lamp
AL10WJ	Astralite Minor Surgical Wall Lamp
ALE10CJ	Astralite <i>eLite</i> 10 Minor Surgical Ceiling Lamp
ALE10MO	Astralite <i>eLite</i> 10 Minor Surgical Mobile Lamp
ALE10MEL	Astralite <i>eLite</i> 10 Minor Surgical Mobile + Epu
ALE1010TJ	Astralite <i>eLite</i> 1010 Tandem Lamp
ALE10WJ	Astralite <i>eLite</i> 10 Minor Surgical Wall Lamp
HM33562C	Sterilisable Handle Cover For Astralite
14141	Optional Handle Carrier For Astralite

\*Specifications may vary by +/-10%

## Exceeding Standards

Brandon Medical is certified as an ISO 13485 and ISO 9000 manufacturer, the global standard for medical device manufacturers. Brandon Medical Astralite® lights conform to IEC 60601-1, IEC 60601-1-2 and IEC 60601-2-41



UK Customs  
Approved Exporter  
Status GB 16164/13





BRILLIANT BY DESIGN



Operating Theatre Lights and Battery Back Up  
Minor Surgical Lights  
Examination Lights  
Theatre Control Panels  
PACS Workstations  
IPS Isolated Power Systems  
UPS Uninterruptible Power Systems  
Medical Gas Pendants and Accessories  
Ultra Clean Ventilation Canopies  
Digital Audio Video Solutions

NSW/ACT: 02 9723 3099

QLD: 07 3879 5999

VIC/TAS/SA/NT: 03 9532 3168

[sales@salcommercial.net.au](mailto:sales@salcommercial.net.au)