

KONTRON RuggedClient-BYT

TOUCH SCREEN, ANTI-SPRAY



10.4" / 12.1" / 15" / 17" / 21.5" INDUSTRIAL TOUCH PANEL PC WITH INTEL® BAY TRAIL SOC PROCESSORS

- ▶ 1x HDMI, 1x VGA for display output
- ▶ 2x GbE LAN for Ethernet
- ▶ 1x USB 3.0, up to 4x USB 2.0, 2x RS232/422/485, up to 2x RS232 for peripherals
- ▶ 1x 2.5" SATA HDD / SSD, 1x mSATA for storage
- ▶ 1x mPCIe for expansion

KONTRON RuggedClient-BYT

10.4" / 12.1" / 15" / 17" / 21.5" INDUSTRIAL TOUCH PANEL PC WITH INTEL® BAY TRAIL SOC PROCESSORS

Kontron RuggedClient-BYT Panel PCs are supporting Intel® Bay Trail Processors. Featured are DDR3L SO-DIMM, Storage includes a 2.5" SATA hard drive or a solid-state drive (SSD), and mSATA memory slot. Supported interfaces include 2x GbE LAN, up to 2x RS232, 2x RS232/422/485, up to 4x USB 2.0, 1x USB 3.0, 1x VGA and 1x HDMI, thus easily meeting a broad range of customer

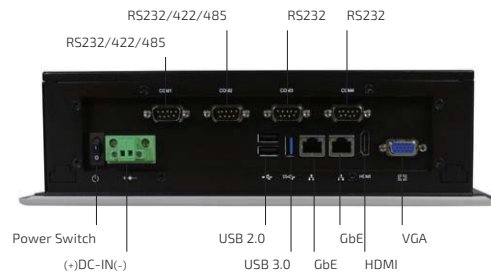
requirements.

The RuggedClient-BYT provides a friendly human-machine interface with shock, vibration and temperature resistance. In addition, the IP65-rated front design also makes it resistant against water spray and dust infiltration from the front side.

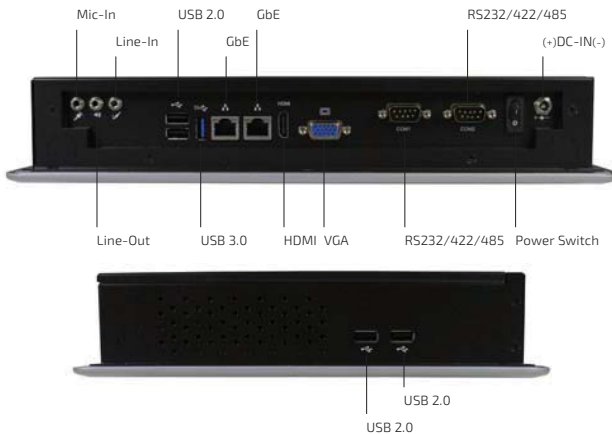
▶ PRODUCT HIGHLIGHTS

- ▶ 10.4" ~ 21.5" 5-wire resistive single touch LCD display
- ▶ Intel® Bay Trail CPUs, Celeron® J1900 / Atom™ E3845 / E3825
- ▶ 1x DDR3L SO-DIMM
- ▶ 1x HDMI, 1x VGA for video output
- ▶ 2x GbE LAN for Ethernet
- ▶ 1x USB 3.0, up to 4x USB 2.0, up to 4x COM for peripherals
- ▶ 1x 2.5" SATA HDD / SSD, 1x mSATA for storage
- ▶ 1x mPCIe for expansion
- ▶ IP65 front design

▶ 10.4" Model I/O Ports



▶ 12.1" Model I/O Ports



▶ 15" Model I/O Ports



▶ 17" Model I/O Ports



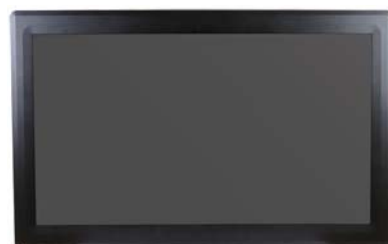
▶ 21.5" Model I/O Ports



▶ 10.4" / 12.1" / 15" / 17" Model Front View

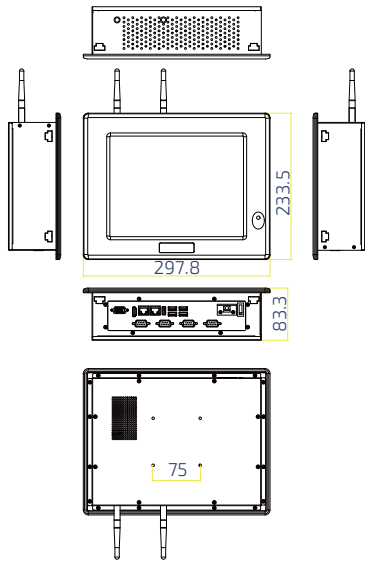


▶ 21.5" Model Front View

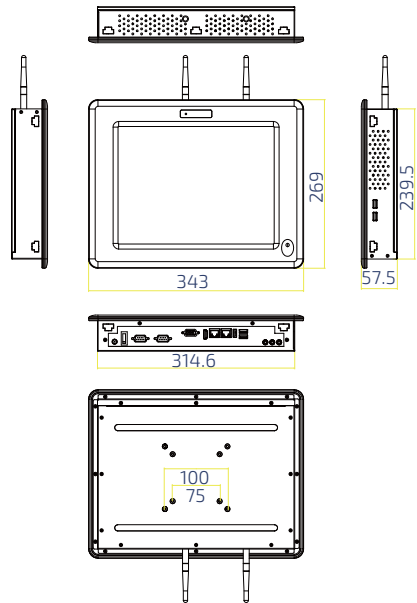


MECHANICAL DIMENSIONS

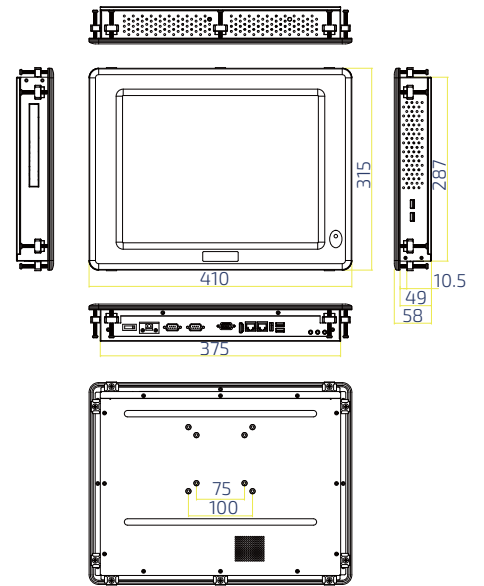
▶ 10.4" Model



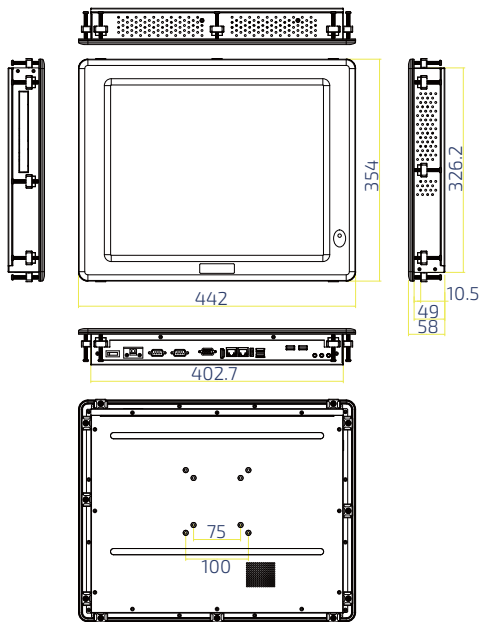
▶ 12.1" Model



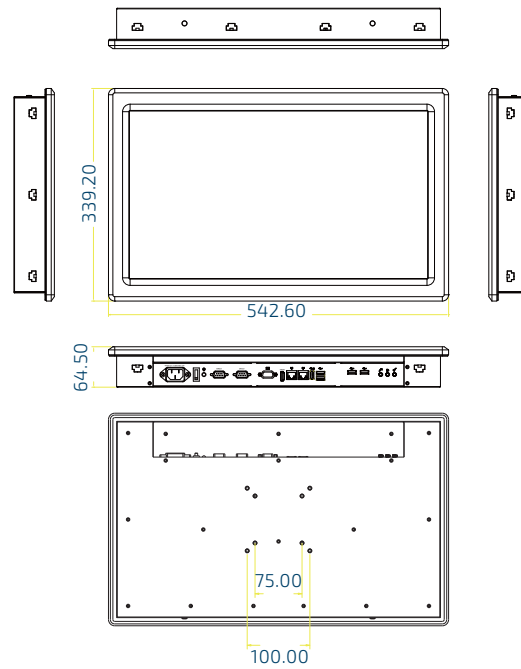
▶ 15" Model



▶ 17" Model



▶ 21.5" Model



unit: mm

TECHNICAL INFORMATION

System	Processor	Intel® Celeron® J1900 (Quad Core, 2M Cache, up to 2.42 GHz, FCBGA1170, 10 W TDP) Intel® Atom™ E3845 (Quad Core, 2M Cache, 1.91 GHz, FCBGA1170, 10 W TDP) Intel® Atom™ E3825 (Dual Core, 1M Cache, 1.33 GHz, FCBGA1170, 6 W TDP) 1x DDR3L 1333 SO-DIMM up to 8GB (Celeron® J1900 / Atom™ E3845 model) 1x DDR3L 1067 SO-DIMM up to 8GB (Atom™ E3825 model)				
	Memory					
Video	Graphics	Intel® HD Graphics				
	Display Size	10.4 inch	12.1 inch	15 inch	17 inch	21.5 inch
	Aspect Ratio	4:3	4:3	4:3	5:4	16:9
	Backlight	LED	LED	LED	LED	LED
	Resolution	800 x 600 SVGA	1024 x 768 XGA	1024 x 768 XGA	1280 x 1024 SXGA	1920 x 1080 Full HD
	Brightness (cd/m², typ.)	230	500	350	350	250
	Contrast Ratio (typ.)	600:1	1000:1	600:1	1000:1	5000:1
	Color	16.2M, 262K	16.2M, 262K	16.2M	16.2M	16.7M
	Viewing Angle (L/R/H/L)	80°/80°/60°/70°	80°/80°/80°/80°	45°/45°/20°/45°	85°/85°/80°/80°	89°/89°/89°/89°
	Touch	5-wire resistive	5-wire resistive	5-wire resistive	5-wire resistive	5-wire resistive
	Display Interface	1x HDMI (on rear, 1920 x 1080 @ 60 Hz) 1x VGA (on rear, 2560 x 1600 @ 60 Hz)				
	Multiple Display	Dual				
Audio	Audio Codec	Realtek ALC662				
	Audio Interface	2x Speaker-out (3 W) 1x Line-in (on rear, 10.4" model excluded) 1x Line-out (on rear, 10.4" model excluded) 1x Mic-in (on rear, 10.4" model excluded)				
Network Connection	Ethernet	2x GbE LAN (RJ45 on rear, 1x Intel® I210-AT, 1x Realtek RTL8111G)				
Peripheral Connection	USB	1x USB 3.0 (Type A on rear) 2x USB 2.0 (Type A on rear, 10.4" model only) 4x USB 2.0 (2x Type A on rear + 2x on right for 12.1" & 15", 4x on rear for 17" & 21.5")				
	Serial Port	2x RS232/422/485 (DB9 on rear) 2x RS232 (DB9 on rear, 10.4" model only)				
Storage & Expansion		1x 2.5" SATA HDD / SSD 1x mSATA (full size) 1x mPCIe (full size) 1x SIM Cage (optional)				
Power	Connector	Phoenix Conn.	Lockable DC jack	Phoenix Conn.	Phoenix Conn.	C14 AC Connector
	Input Voltage	DC 12 V	DC 12 V	DC 12 V	DC 12 V	AC 100 V ~ 240 V
	Power Adapter	AC 100 V ~ 240 V	AC 100 V ~ 240 V	AC 100 V ~ 240 V	AC 100 V ~ 240 V	-
Firmware	BIOS	AMI uEFI BIOS w/ 64 Mb SPI Flash				
	Watchdog	Programmable WDT to generate system reset event				
	H/W Monitor	Voltages, Temperatures				
	Real Time Clock	SoC integrated RTC				
	TPM	Optional for model w/ Atom™ E3845 (Infineon SLB 9635 TPM 1.2)				
System Control & Monitoring	Button, Switch & Indicator	1x Power Switch (on rear) 1x Power LED (21.5" model on rear, other on front)				
Cooling	Cooling Method	Passive				
Software	OS Support	Windows 7, Windows 8				
Mechanical	Construction	Metal Chassis + Aluminum Front Bezel				
	Dimensions - W	297.8 mm (11.72")	343 mm (13.50")	410 mm (16.14")	442 mm (17.40")	542.6 mm (21.36")
	Dimensions - H	233.5 mm (9.19")	269 mm (10.59")	315 mm (12.40")	354 mm (13.94")	339.2 mm (13.35")
	Dimensions - D	83.3 mm (3.28")	58 mm (2.28")	58 mm (2.28")	58 mm (2.28")	64.5 mm (2.54")
	Weight	TBD	3400 g (7.50 lb)	TBD	TBD	7600 g (16.76 lb)
	Mounting	Panel Mount, VESA Mount				
Environmental	Operation Temperature	0 °C ~ 50 °C / 32 °F ~ 122 °F				
	Storage Temperature	-20 °C ~ 70 °C / -4 °F ~ 158 °F				
	Humidity	0% ~ 95%				
Certification	EMC & Safety	CE, FCC Class A				
	Ingress Protection	IP65 (front)				

▶ ORDERING INFORMATION

ARTICLE	DESCRIPTION
RuggedClient-BYTJ-104-R	10.4" 4:3 display, Intel® Celeron® J1900, 1x USB 3.0, 2x USB 2.0, 2x RS232/422/485, 2x RS232
RuggedClient-BYTJ-121-R	12.1" 4:3 display, Intel® Celeron® J1900, 1x USB 3.0, 4x USB 2.0, 2x RS232/422/485
RuggedClient-BYTE-121-R	12.1" 4:3 display, Intel® Atom™ E3825, 1x USB 3.0, 4x USB 2.0, 2x RS232/422/485
RuggedClient-BYTJ-150-R	15" 4:3 display, Intel® Celeron® J1900, 1x USB 3.0, 4x USB 2.0, 2x RS232/422/485
RuggedClient-BYTE-150-R	17" 5:4 display, Intel® Atom™ E3845, 1x USB 3.0, 4x USB 2.0, 2x RS232/422/485
RuggedClient-BYTJ-170-R	15" 4:3 display, Intel® Celeron® J1900, 1x USB 3.0, 4x USB 2.0, 2x RS232/422/485
RuggedClient-BYTE-170-R	17" 5:4 display, Intel® Atom™ E3845, 1x USB 3.0, 4x USB 2.0, 2x RS232/422/485
RuggedClient-BYTJ-215-R	21.5" 16:9 display, Intel® Celeron® J1900, 1x USB 3.0, 4x USB 2.0, 2x RS232/422/485
OPTIONAL ACCESSORIES	
VESA MOUNTING KIT	Hole pattern: 100 mm x 100 mm & 75 mm x 75 mm, dimension: 163 mm x 130 mm

▶ GLOBAL HEADQUARTERS

KONTRON S&T AG

Lise-Meitner-Str. 3-5
 86156 Augsburg, Germany
 Tel.: + 49 821 4086 0
 Fax: + 49 821 4086 111
 info@kontron.com
www.kontron.com