



Dual Lid Contact Grill Product # CG14-2TF

Prince Castle's Perfect Panini Contact Grill was designed exclusively for use in Bakery Cafés or QSR kitchens. Perfectly grilled sandwiches prepared quickly, optimize freshness and texture for high quality sandwich menus.

Technology that delivers consistent grilling performance while improving daily ease of use and reliability include, dual lid contact grilling and independent programmable timers. Both features enable operators to grill multiple products safely and consistently with specific cooking requirements, delivering flavorful high quality meals.

Product Features

- Accurate temperature control delivers consistent cooking performance
- Surface temperature range is 270°F (132°C) to 550°F (288°C) supporting various cooking requirements
- Durable stainless steel construction and heavy duty platens ensure the grill's longevity and reliability
- Grooved platen surfaces
- Dual four channel electronic, programmable timers track product grill times consistently
- Removable control board features Snap Technology™, simplifying menu updates and reducing labor costs
- Adjustable four position lid provides consistent grilling and easy daily clean-up
- Easily accessible grease drawer located up front, reduces daily clean-up efforts
- Separate Accessory: 233-71AG grill wiper allows for consistent cleaning of grooved surfaces
- 1-year parts and labor warranty: excludes wear and tear items



Dual Lid Contact Grill

Product # CG14-2TF

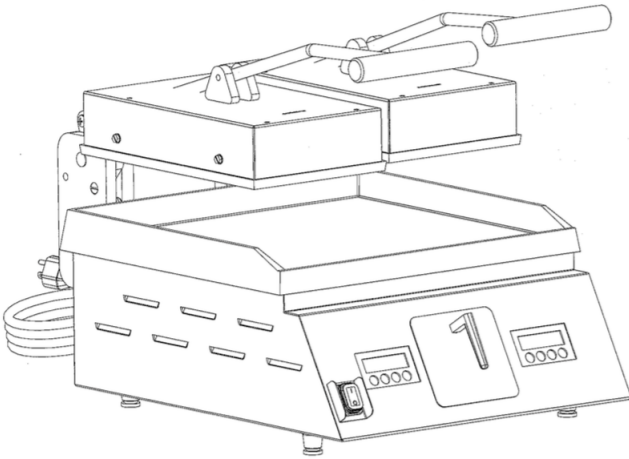
Dimensions

Model Number	Width in (cm)	Height in (cm)	Depth in (cm)	Shipping Weight lbs (kg)	Shipping Volume cu. ft (cu. m)
CG14-2TF	17.60 (44.70)	13.60 (34.60) - Closed 29.80 (75.71) - Open	24.0 (60.96)	95.0 (43.09)	6.78 (.192)

Electrical

Model Number	Description	Volts	Hz	Watts	Plug
CG14-2TF	Single Lid Contact Grill	208-240	50/60	2600	NEMA 5-30P

Specifications



Certifications

