

1-OW-EXR-401



▲CONTROL PANEL

MAJOR FEATURES

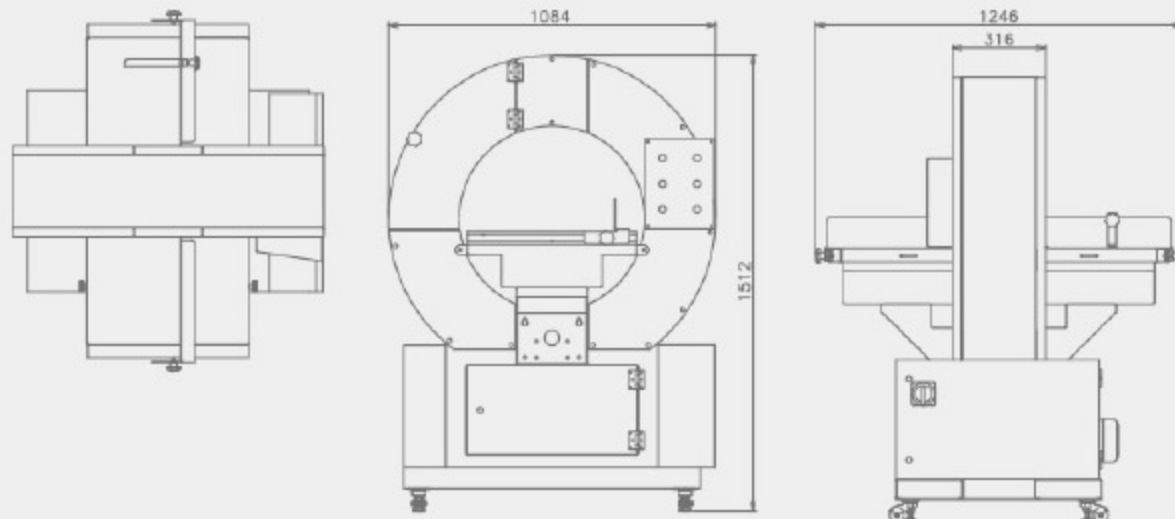
- FILM WIDTH: 76 MM, 100MM, AND 125MM
- FILM THICKNESS: 19-35MICRON
- MAX. FILM OUTER DIAMETER: 178MM (7")
- MAX. RECTANGLE: 508MMX178MM (20"X7")
- MAX. SQUARE: 305MMX305MM
- MIN. SQUARE: 102MMX102MM
- POWER SUPPLY: 100V/110V/220V/230V/240V., 50/60HZ., 1-PHASE
- PNEUMATIC SYSTEM: 6- 1BAR

OPTION

- CE FOOT PEDAL SWITCH
- DIFFERENT SIZE AVAILABLE ON REQUEST



▲CUTTING



1-OW-EXR-201



▲CONTROL PANEL

MAJOR FEATURES

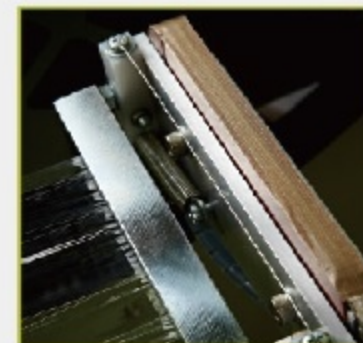
- FILM WIDTH: 76 MM
- FILM THICKNESS: 19-35MICRON
- MAX. FILM OUTER DIAMETER: 178MM (7")
- MAX. RECTANGLE: 508MMX178MM (20"X7")
- MAX. SQUARE: 305MMX305MM
- MIN. SQUARE: 102MMX102MM
- POWER SUPPLY: 100V/110V/220V/230V/240V., 50/60HZ., 1-PHASE
- PNEUMATIC SYSTEM: 6- 1BAR

OPTION

- CE FOOT PEDAL SWITCH
- DIFFERENT SIZE AVAILABLE ON REQUEST



▲SUB-CONTROL PANEL



▲CUTTING

