

# vCam-6 HD INSPECTION SYSTEM

Increase productivity and profitability with the feature-rich vCam-6 inspection camera system. Built tough and reliable for everyday use, the versatile vCam-6 is a good fit for plumbers, contractors, home inspectors, building maintenance supervisors, or anyone looking to inspect the interior of a pipe or duct. Create crisp, detailed HD video inspections with audio comments, text descriptions, footage, date, and timestamps to submit to your customers without worry. Putting in a full days' work is easy with the four-hour battery life and charging on-the-go with the provided AC and DC charging leads.

- 1080p HD camera heads
- 1 Terabyte hard drive
- 4-Hour battery life
- Wi-fi with smartphone/tablet app
- HDMI video/audio port
- One-touch recording and image capture
- One-year warranty
- Camera exchange program
- Backward compatible<sup>(1)</sup>

WIFI - Powerful 150' / 45m Range

Daylight viewable LCD

USB Mini data port for LACP software interface

Record to 1 TB hard drive or USB

Internal microphone and on-screen distance counter

AC/DC operation with Li-ion rechargeable batteries

Camera test port

Stainless-steel construction reels and camera heads

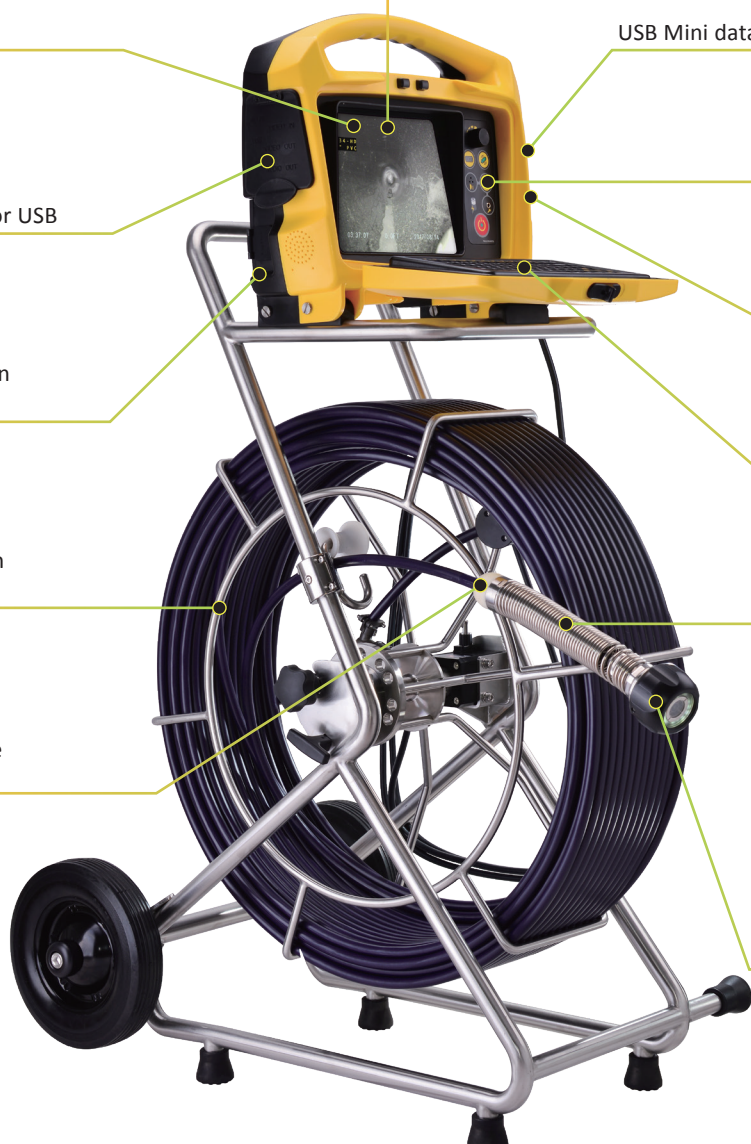
Full QWERTY keyboard

512Hz/640Hz/33kHz sonde and traceable pushrod

Field serviceable spring, coiled cable and lanyards

Self-leveling 34mm HD Camera

Self-leveling 46mm HD Camera



Backed by Vivax-Metrotech's superior dealer network, customer service and service centers.

## Camera Heads

|                       | D34-HD                                     | D46-HD                       |
|-----------------------|--|------------------------------|
| <b>Dimensions:</b>    | 1.3" / 34mm x 2.9" / 73mm                  | 1.8" / 46 mm x 2.7" / 68.8mm |
| <b>Lighting:</b>      | 12.87 Lumens                               | 44.02 Lumens                 |
| <b>Resolution:</b>    | 1080p                                      | 1080p                        |
| <b>Construction:</b>  | Stainless steel housing with Sapphire Lens |                              |
| <b>Environmental:</b> | 11 Bar                                     | 11 Bar                       |
| <b>Field of view:</b> | 96 degrees                                 | 96 degrees                   |

## Type-CP Standard Reel

|                       |   |
|-----------------------|---|
| <b>Dimensions:</b>    | 28" (L) x 19.7" (W) x 35.8" (H)<br>710 mm (L) x 500 mm (W) x 910 mm (H)                 |
| <b>Construction:</b>  | Stainless-steel tubular frame with stainless hardware                                   |
| <b>Weight:</b>        | 200ft/30m = 57 lbs. (26kg)<br>300ft/90m = 68 lbs. (31kg)<br>400ft/120m = 79 lbs. (36kg) |
| <b>Environmental:</b> | Water resistant to IP54   |

## Control Module

|                       |   |
|-----------------------|---|
| <b>Dimensions:</b>    | 14.2" (L) x 5.91" (W) x 12.6" (H)<br>360 mm (L) x 150 mm (W) x 320 mm (H)                                       |
| <b>Weight:</b>        | 12lbs. / 5.49kg   |
| <b>Screen:</b>        | 9.7" / 24cm Daylight viewable (1024 x 768)  |
| <b>Battery Life:</b>  | Four hour runtime (six hour with sonde off)   |
| <b>Environmental:</b> | Water resistant to IP54 (IEC 60529-Light shower w/ lid closed)<br>Shock resistant (IEC 600682-3-1) (lid closed) |

(1) The vCam-6 control module is HD (high definition) when used with the new D34-HD and D46-HD camera heads. The vCam-6 control module is backward compatible with the legacy D18-MX, D26-MX, D34-C, D34-M, and D46-CP analog camera heads but will produce SD (standard definition) video and pictures when used with these cameras.

### Local Vivax-Metrotech Distributor:



vivax-metrotech.com

**Phone:** 02 9972 9244

**Fax:** 02 9972 9433

**Email:** sales@vxmtaus.com

## Recommended Locators



vScan, VM-540 and vLoc3-Pro

## Popular Accessories



Mini-Reel and Cameras



Rotate and Tilt Mounting Table



Camera Guide Skids



Type-B Adjustable Skid with Light

## Vivax-Metrotech Corporation

3251 Olcott Street, Santa Clara, CA 95054, USA

**T/Free: 800-446-3392**

**Tel: +1-408-734-1400**

www.vivax-metrotech.com

