

REBOTEC

PHOENIX MULTI

Electric Tilt-in-Lift power shower chair



Rebotec Phoenix Multi in standard configuration includes seat with hygiene opening, adjustable headrest, bucket and bucket device and a charging station with second, backup battery. The chair is certified class IP56 (protected from limited dust ingress, protected from high pressure water jets from any direction).

- Swing open armrests for easy side transfer
- Cushioned seat, leg and backrest with hygiene opening
- Tilt 90-130 degrees supine for wash and hoist transfer position
- Lift to eye level, prevent back injury, improve dignity
- 150 kg certified capacity, multi award winning design

MPN

Blue
352.54.10

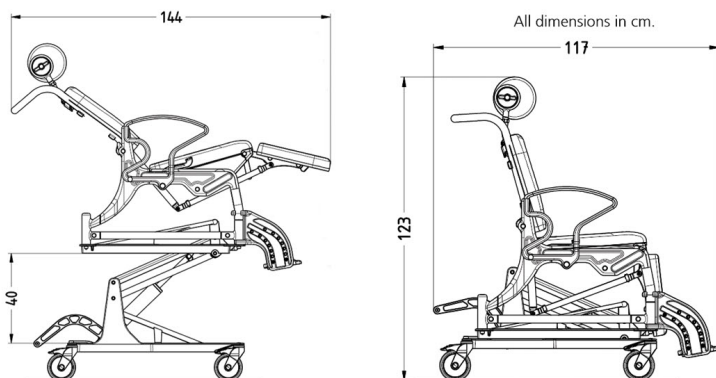
ACCESSORIES

Bucket Pail
301.00

Safety Belt
322.30.10

IV Pole
303.62

Armrest Cushion
440.10.32



WIDTH, DEPTH 68cm, 112cm

SEAT WIDTH, DEPTH 54cm, 43cm

SEAT HEIGHT 60-100cm

RATING IP56

NET WEIGHT 53.6kg

MAX BODY WEIGHT 150kg



Australian Government
Department of Health
Therapeutic Goods Administration

ARTG 297301

info@rebotec.com.au
rebotec.com.au
218/354 Eastern Valley Way
Chatswood 2067 NSW

