

# W15L100-PTA3-POE

## 15.6" PoE Chassis Display



### KEY FEATURES

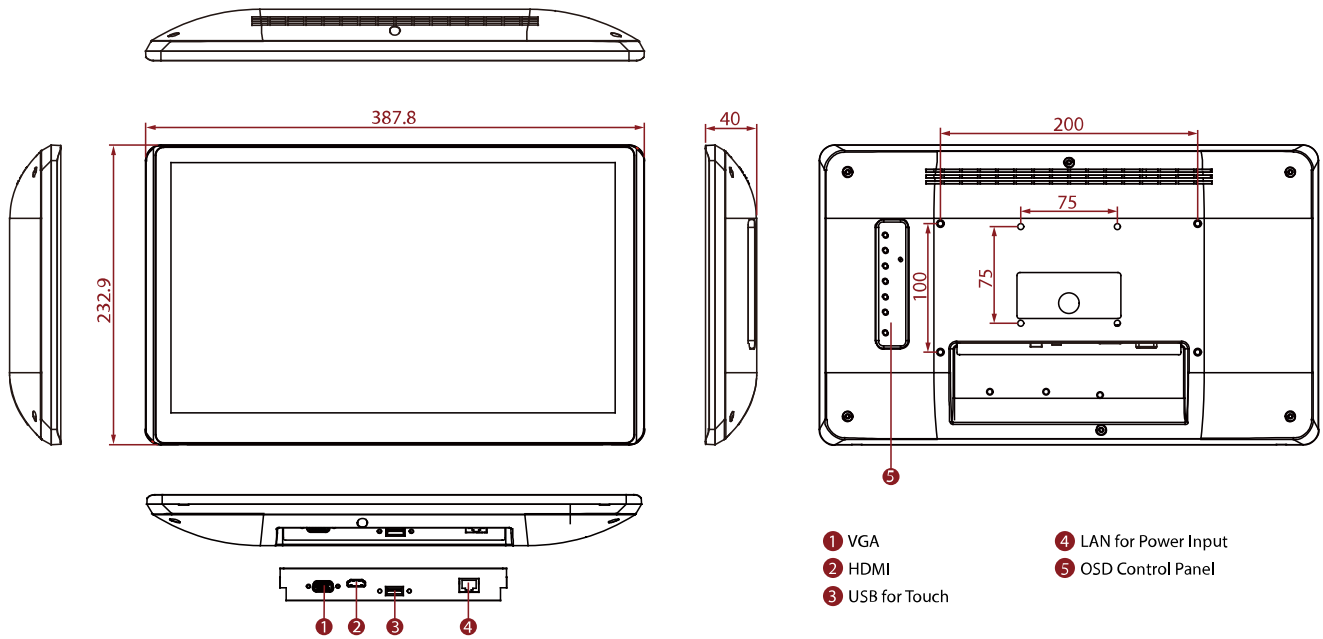
- 15.6" 1920 x 1080 Resolution
- VGA input and HDMI input
- Stylish and elegant design
- Supports PoE
- Front IP65



### SPECIFICATIONS

Display			
Resolution	1920x1080	Size	15.6 inches
Contrast Ratio	800:1	Panel Brightness	400 nits
Display Color	262K Colors	View Angles	85,85,85,85
Active Area	344.16 ×193.59 mm	Touch / Glass	Projected Capacitive Multi Touch Screen Protection Glass (Optional)
Environment			
Operating Humidity	10% to 90% (non-condensing)	Operating Temperature	0~50°C
Storage Temperature	-10~60°C		
Certification			
Certification	CE, FCC		
IO Ports			
USB Port	1 x USB for Touch Screen	Video	1 x VGA 1 x HDMI (Optional)
Audio	2 x Speaker (Optional)	LAN	1 x PoE for Power Input
Mechanical			
Dimension	387.8 x 232.9 x 40 mm	Mounting	VESA Mount
Enclosure	Plastic	Cooling System	Fanless Design
Accessory			
Accessory	1 x USB Cable for Touch 1 x VGA Cable 1 x HDMI Cable		
Power			
POE	Power Device (PD) follows IEEE 802.3at (25 W), IEEE 802.3af (15 W)		
Control			
Button	7 Keys: Enter, Exit, Right, Left, Up, Down, Power		

## DIMENSIONS UNIT:MM



## NOTE

1. This is a simplified drawing and some components are not marked in detail.
2. Please contact our sales representative if you need further product information.
3. All specifications are subject to change without prior notice.
4. The product shown in this datasheet is a standard model. For diagrams that contain customized or optional I/O, please contact the Winmate Sales Team for more information.