

Snackmaster Small Conveyor Oven W.CVS.S.10 / W.CVS.S.15



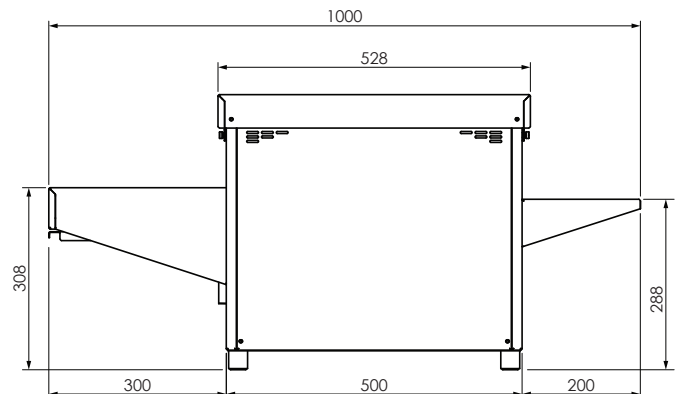
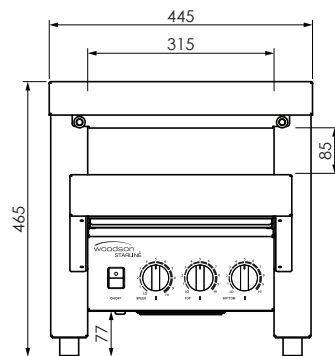
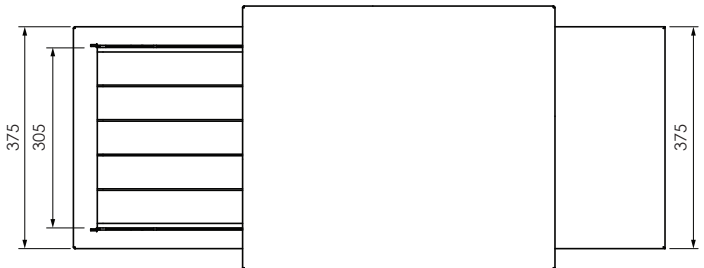
Product Information:

- 305mm belt width conveyor oven, ideal for toasting/cooking open snacks and a variety of other foods
- Long life metal elements for continuous use
- 300mm long cooking conveyor for easy loading
- Fan cooled controls and fan forced heat technology
- Fully insulated top and body retains heat inside where it should be
- Independent temperature controls for top and bottom elements
- Variable speed belt control with automatic tensioning
- Stainless steel construction

Specifications:

Model W.CVS.S.10
Height 465mm
Width 1000mm
Depth 445mm
Belt Width 305mm
Power 2.4kW
 10A plug & lead fitted

Model W.CVS.S.15
Height 465mm
Width 1000mm
Depth 445mm
Belt Width 305mm
Power 3.6kW
 15A plug & lead fitted



Due to continuous product research and development, the information contained herein is subject to change without notice.

Revision: D - 28/08/2020

www.stoddart.com.au
www.stoddart.co.nz