



HIGH SPIN SOFTMOUNT WASHER-EXTRACTORS

IY800
80KG

IY1000
100KG

IY1200
120KG

FEATURES

- Freestanding, high spin
- Stainless steel cabinet & door
- Stainless steel drum and tub
- Extra large door opening (IY800, IY1000 Ø530mm, IY1200 Ø650mm)
- Two large drain valves (Ø103mm)
- Easy access to all parts
- USB plug located on the main board
- Standard liquid soap connections
- Frequency controlled motor
- Patented soap dispenser with 5 removable compartments
- Perforated lifting ribs: more mechanical action, lower water consumption
- Air operated water inlet
- Eco washing programs - significantly reduces water and electricity consumption
- Liquid soap connection : automatic dosing
- Manual weighing system
- SmartWAVE : optimised energy consumption while washing
- Automatic weighing system through 4 weighing cells
- Tilting system: assists operators during loading & unloading



OPTIONS

- Liquid soap pumps
- Recycle drain valve

CONTROL: EVOLIS ELITE

- 7", full color touch screen display with swipe function: very intuitive for users
- User-friendly screen with operating instructions built in as part of the control
- Complete control content available in 34 languages
- Wireless communication enabling programming & firmware updates through cloud
- Automated service reminders remind users to maintenance tasks
- IPSO Connect: interactive dashboard offers operational performance info on mobile device



Touch screen control for OPL

Control with 7" touch screen featuring new connectivity and data-accessibility functionalities through cloud. 20 standard wash programmes, total memory capacity for 99 programmes.



Optimised energy consumption while washing

The absorption ability of the load is automatically determined at the start of the cycle. Water levels are then optimized throughout the wash cycle with no compromise to the quality of the clean.

Speak with a Laundry Specialist

t: 1300 222 119

e: info@aqualogic.com.au

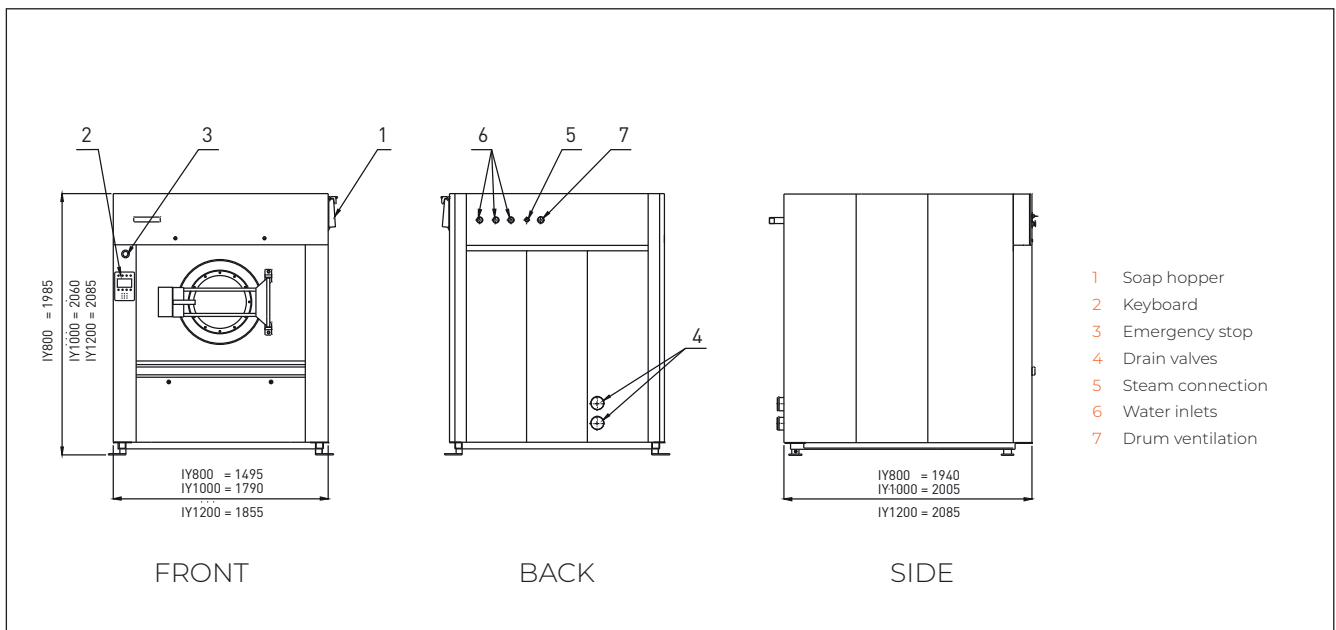
w: aqualogic.com.au/contact



	IY800	IY1000	IY1200
INNERDRUM			
CAPACITY 1:10 (KG)	80	97	115
CAPACITY 1:9 (KG)	89	108	128
VOLUME (L)	807	972	1154
DIAMETER (MM)	1110	1200	1300
DRUM DEPTH (MM)	838	860	870
PERFORATION (MM)	5	5	5
DRUM SPEED			
WASH (RPM)	36	33	32
EXTRACTION (RPM)	750	720	695
G-FACTOR	350	350	350
HEATING			
ELECTRICITY (KW)	67,5	-	-
STEAM HIGH PRESSURE (BAR)	3-8	3-8	3-8
STEAM HIGH PRESSURE (PSI)	44-116	44-116	44-116
CONNECTIONS			
ELECTRICAL	3 x 208-240/50-60 Hz 3 x 380-480/50-60Hz	3 x 208-240/50-60 Hz 3 x 380-480/50-60Hz	3 x 208-240/50-60 Hz 3 x 380-480/50-60Hz
MOTOR (KW)	11	15	18,50
WATER INLET (MM)	3 x 38 (1 1/2")	3 x 38 (1 1/2")	3 x 38 (1 1/2")
STEAM INLET (MM)	25 (1")	25 (1")	25 (1")
COMPRESSED AIR INLET (MM)	Ø8	Ø8	Ø8
DRAIN (MM)	2 x 103 (4")	2 x 103 (4")	2 x 103 (4")
TRANSPORT DATA			
GROSS WEIGHT (KG)	2830	3410	3710
NET WEIGHT (KG)	2640	3170	3480
DIMENSIONS H x W x D (MM)	1985 x 1495 x 1940	2060 x 1790 x 2005	2085 x 1855 x 2085
PACKING DIMENSIONS H x W x D (MM)	2200 x 1690 x 1950	2345 x 2000 x 2170	2340 x 2000 x 2170
VOLUME (PACKED) (M ³)	7,25	9,29	10,16

- = not available

Standard = standard execution. The data concerning dimensions of machines include all extended parts



Speak with a Laundry Specialist

t: 1300 222 119 e: info@aqualogic.com.au w: aqualogic.com.au/contact

