



SITE LIGHT RENTALS

WWW.LEDLIGHTGROUP.COM.AU

JSS-100 SOLAR STREET LIGHT

MOBILE SOLAR LIGHTING

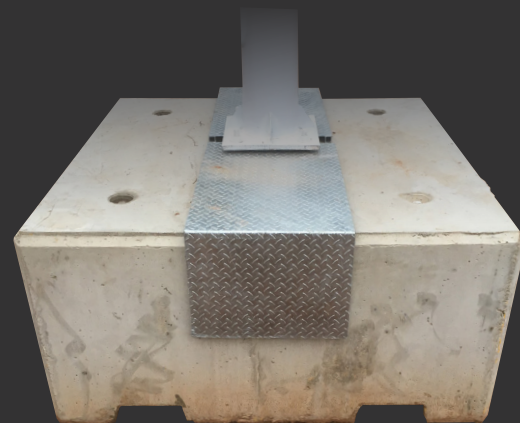
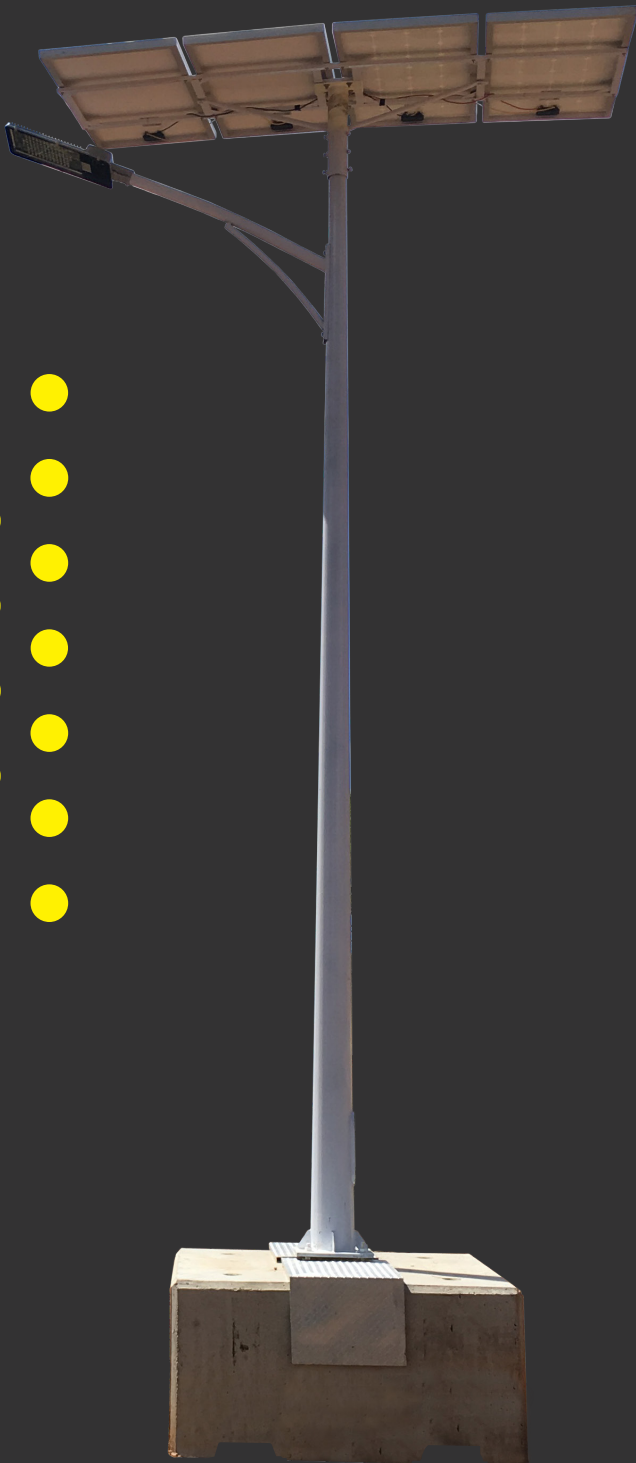
The JSS-100 Solar Street light is the new solution in temporary lighting for the construction and resource industries. Essential for long term sustainability and low impact on the environment, this unit is 100% solar powered.

Eliminating the risk of exposure to temporary high voltage street lighting around the work area.

The JSS100 also provides significant costs savings with its efficient solar array and battery pack. It has the capacity to operate for up to 70 hours of continuous run time without sun exposure.

KEY FEATURES

- Social Responsibility, environmentally conscience
- Eliminate – Fuel
- Eliminate – Emissions
- Eliminate – High Risk and High Voltage
- Eliminate – Noise
- Eliminate – Waste Fluids and Hydrocarbons
- Minimise Maintenance – up to 2 years maint. free
- Auto Start/Stop
- Up to 70 hrs continuous run time



JSS-100 SOLAR LIGHT SPECIFICATIONS

PERFORMANCE

Operating Hours	70hr Continuous
IP Rating	IP65
Time Proportion	1:4 (charge/discharge)
Wind Rating	150km/hr (42m/s) Region A
Stop/ Start	Auto – PV Cell

LAMPS

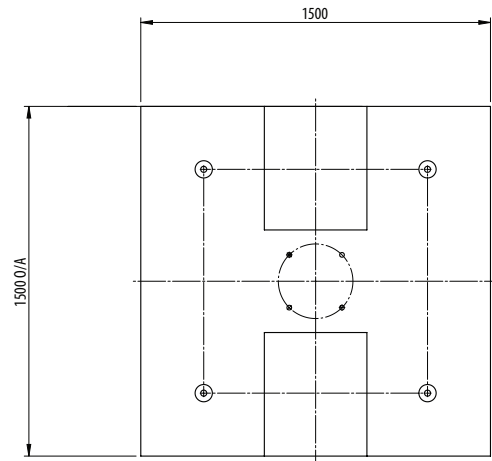
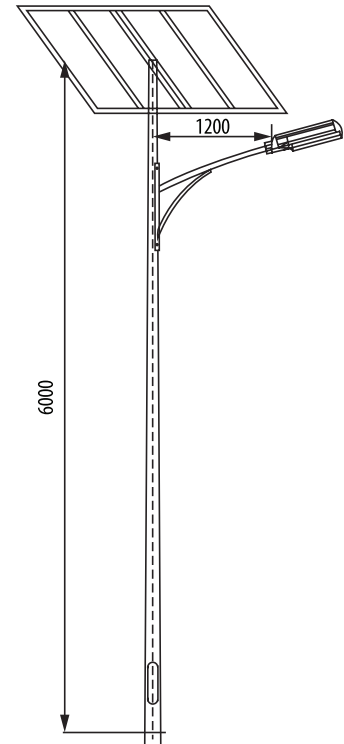
Lighting	100w LED
Lighting Specifications	100-150Lm/w
Max Illuminance	50 Lux
Lifespan (expected)	>50,000hr

SOLAR AND BATTERY

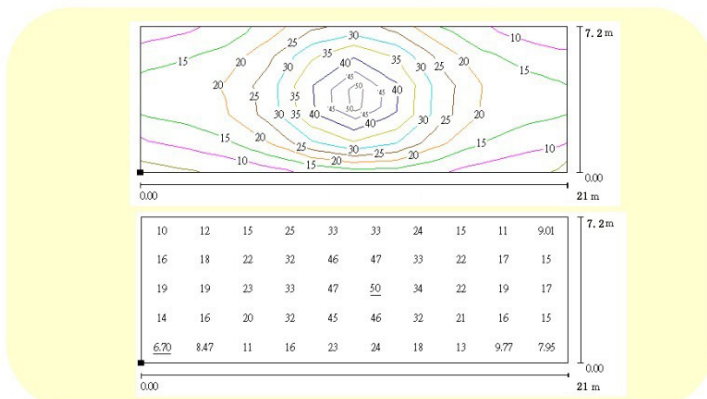
Nominal Voltage	24v
Solar Panel	4 x 12v 150w Monocrystalline
Battery	4 x 150 ah Colloid or Nominal
Solar Controller	Morning Star or nominal MPPT

DIMENSIONS AND WEIGHT

Concrete Block Weight	3,340kg
Overall Weight	3,650kg
Light Height	Options from 6.72m
Overall Height	7.2m
Outreach	1.5m

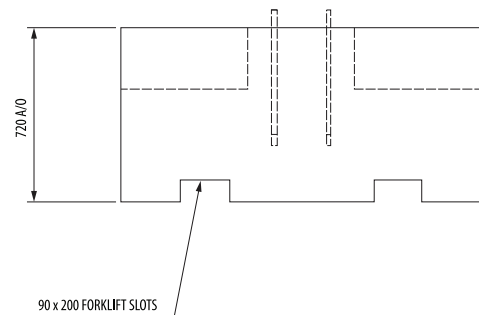


Pole Height=6M Road Width=6x1.2=7.2m Road Length=6x3.5=21m



Max illuminance=50 Lux Min illuminance=6.7 Lux Avg illuminance=34 Lux

TOP VIEW



SIDE VIEW

SUSTAINABLE LIGHTING SOLUTIONS