



## Features

- 8" Industrial Compact Size Panel PC
- Intel Celeron N2930(1.83GHz) CPU built-in / Atom E3845(1.91GHz) for option
- Onboard 4GB DDR3L 1333MHz/8GB(option)
- Flat Front Panel Touch Screen and Fanless Design
- DC 9~36V Wide-Ranging Power Input
- IP66 Compliant Front Panel
- Optional Projected Capacitive Touch Screen Support 7H Anti-Scratch Surface
- High Brightness 1,000 nits for Option

## Specifications

| System         |  |
|----------------|--|
| CPU            | Onboard Intel Celeron N2930(1.83GHz)<br>Onboard Intel Atom E3845(1.91GHz) for option |
| System Chipset | SoC  |
| Memory         | Onboard 4GB/8GB(option) DDR3L 1333MHz  |

| I/O Port          |  |
|-------------------|--|
| USB               | 2 x USB 3.0 type A   |
| Serial / Parallel | 1 x DB-9 RS-232/422/485, COM1 (Default RS-232)<br>1 x RS-232 DB-9, COM2          |
| Audio             | 1 x Audio Line Out   |
| LAN               | 2 x GbE LAN RJ-45  |
| Power             | 1 x 3-pin DC power input terminal<br>1 x 2-pin connector for power on/off button |
| Option            | VESA Stand<br>4G LTE/Wi-Fi/BT  |

| Storage Space  |   |
|----------------|---|
| HDD            | 1 x MO-297 SATA SSD bay (Easy Accessible) |
| Movable Device | 1 x Micro SD card slot, up to 32GB        |

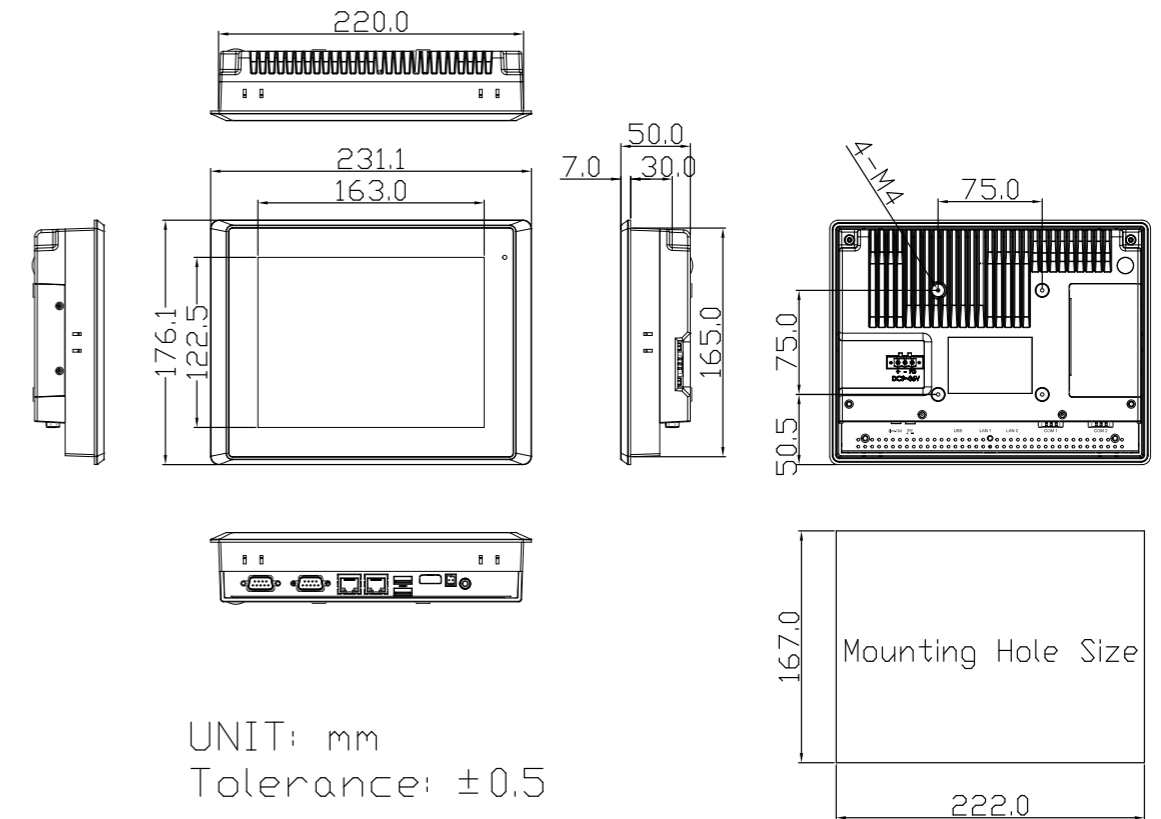
| Expansion      |                                       |
|----------------|---------------------------------------|
| Expansion Slot | 1 x Internal Mini-PCIe slot full size |

| Display                        | Standard        | High Brightness Optional |
|--------------------------------|-----------------|--------------------------|
| Display Type                   | 8" TFT-LCD      | 8" TFT-LCD               |
| Max. Resolution                | 800 x 600       | 800 x 600                |
| Max. Color                     | 16.2M           | 16.2M                    |
| Luminance (cd/m <sup>2</sup> ) | 450             | 1000                     |
| View Angle                     | 140(H) / 130(V) | 140(H) / 130(V)          |
| Contrast                       | 500:1           | 500:1                    |
| Backlight Lifetime             | 40,000 hrs      | 20,000 hrs               |

| Touch Screen          |   |
|-----------------------|---|
| Type                  | Resistive Touch (for R model)<br>Projected Capacitive Touch (for P model) |
| Interface             | USB   |
| Light Transmission(%) | Resistive Touch: over 80%<br>Projected Capacitive Touch: over 90%         |

| Power             |                        |
|-------------------|------------------------|
| Power Input       | DC 9~36V               |
| Power Consumption | ARCHMI-808P: 26W (MAX) |

## Dimensions



| Mechanical         |                              |
|--------------------|------------------------------|
| Color              | RAL 9007                     |
| Construction       | Aluminum die-casting chassis |
| Mounting           | Panel Mount, VESA 75 x 75    |
| Dimensions (WxHxD) | 231.1 x 176.1 x 50 mm        |
| IP Rating          | IP66 Compliant Front Bezel   |
| Net Weight         | 1.9 kg                       |

| Environmental         |                                 |
|-----------------------|---------------------------------|
| Operating Temperature | 0~50°C / -20~60°C (option)      |
| Storage Temperature   | -30~70°C                        |
| Humidity              | 10 to 90%@ 40°C, non-condensing |
| Certificate           | CE/FCC Class A/CB/UL            |

| Operating System Support |  |
|--------------------------|--|
| Windows 10 IoT           |  |

| Ordering Information |  |
|----------------------|--|
| ARCHMI-808           | 8" SVGA Fanless HMI barebone with Intel N2930 1.83G CPU, 2GB DDR3L RAM, Resistive touch screen, DC 9~36V input with adapter, Aluminum chassis                            |
| ARCHMI-808P          | 8" SVGA Fanless HMI barebone with Intel N2930 1.83G CPU, 2GB DDR3L RAM, Projected Capacitive touch screen, DC 9~36V input with adapter, Aluminum chassis                 |
| ARCHMI-808H          | 8" SVGA fanless HMI barebone with Celeron N2930(1.83.GHz ) CPU, 4GB DDR3L RAM, Resistive touch screen, DC 9~36V input with adapter, Aluminum chassis, 1,000 nits LCD     |
| ARCHMI-808PH         | 8" SVGA fanless HMI barebone with Celeron N2930(1.83.GHz ) CPU, 4GB DDR3L RAM, Projected Capacitive touch, DC 9~36V input with adapter, Aluminum chassis, 1,000 nits LCD |