

L140TG-4

14inch Rugged Laptop with Intel® Core™ i5-1135G7



Backplane
Systems
Technology

Backplane Systems
Technology Pty Ltd

TEL 02 9457 6400
sales@backplane.com.au
www.backplane.com.au



KEY FEATURES

- 11th Gen. Intel® Processor Family – Tiger Lake Processor
- Fanless Cooling System
- Rugged extreme with 14" 1920 x 1080 LED panel with direct optical bonding
- Anti-glare technology for sunlight readability
- Flip design for quick switching between rugged laptop and rugged tablet modes
- Dual battery with hot-swappable design for whole-day-work
- Expansion slot supporting optional 2nd removable SSD and smart card reader

CE FC IC



SPECIFICATIONS

Display			
Bonding	Optical Bonding for Sunlight Viewability	Resolution	1920x1080
Size	14 inches	Contrast Ratio	800:1
Panel Brightness	700 nits	View Angles	85,85,85,85
Type	Projected Capacitive Multi Touch		
System Specification			
Processor	Intel Core i5-1135G7 2.4GHz (up to 4.2GHz)	Memory	8GB DDR4 SDRAM 16GB DDR4 SDRAM (Optional) 32GB DDR4 SDRAM (Optional)
Storage	256GB M.2 SSD 512GB M.2 SSD (Optional) 1TB M.2 SSD (Optional) 2TB M.2 SSD (Optional) Additional storage available with up to 2TB M.2 (PCIe NVMe) SSD, self-encrypted. (Optional)	Ethernet controller	1 x RJ45-10/100/1000 Mbps LAN
Security	Trusted Platform Module (TPM) 2.0 Kensington Lock	Operating System	Windows 10 IoT Enterprise LTSC (64 bit) Windows 11 IoT Enterprise SAC (64 bit) (Optional)
WLAN	Support	BT	Support
WWAN	4G LTE (Optional)	GNSS	GPS/GLONASS
RFID	HF RFID reader 13.56 MHz (Optional)	Smart Card Reader	Smart Card Reader (Optional)
Fingerprint Scanner	Fingerprint scanner (Optional)		
Camera			
Front Camera	2MP front camera	Rear Camera	8MP rear camera with autofocus and LED light (Optional)
Mechanical			
Dimension	340 x 230 x 38 mm	Weight	2.5 kg
Cooling System	Fanless thermal design		
IO Ports			
USB Port	3 x USB 3.0 (Type A), 1 x USB 3.0 (Type C)	Serial Port	1 x RS232 (DB9)
SD Card Slot	1 x Micro SDXC Slot	SIM Card Slot	1 x Nano SIM card slot
Video	1 x HDMI 4K Output (Optional)	Audio	1 x Audio combo 3.5mm audio combo jack

Dual Digital Mic With Noise Cancellation
Dual Speaker

Expansion Port 1 x Expansion slot for smart card reader and removable SSD (Optional)

Indicator 4x LED Indicator for Power, Battery, HDD, RF status

LAN 1 x RJ45-10/100/1000 GigaLAN port

Environment

Operating Humidity	10% to 90% RH, non-condensing	Operating Temperature	-20°C to 50°C (AC mode), 0°C to 40°C (Battery mode)
Storage Temperature	-30°C to 70°C	Shock	MIL-STD-810H Method 516.8 Procedure I
Vibration	MIL-STD-810H Method 514.8 Procedure I	IP rating	IP65
Drop	MIL-STD-810H Method 516.8, 3 ft		

Certification

Certification CE, FCC

Security Function

SOTI MobiControl SOTI MobiControl Compliance **Kensington Lock** Kensington Lock Support

Control

Button 1 x Power, 2 x volume key, 2 x Programmable Function Keys

Power

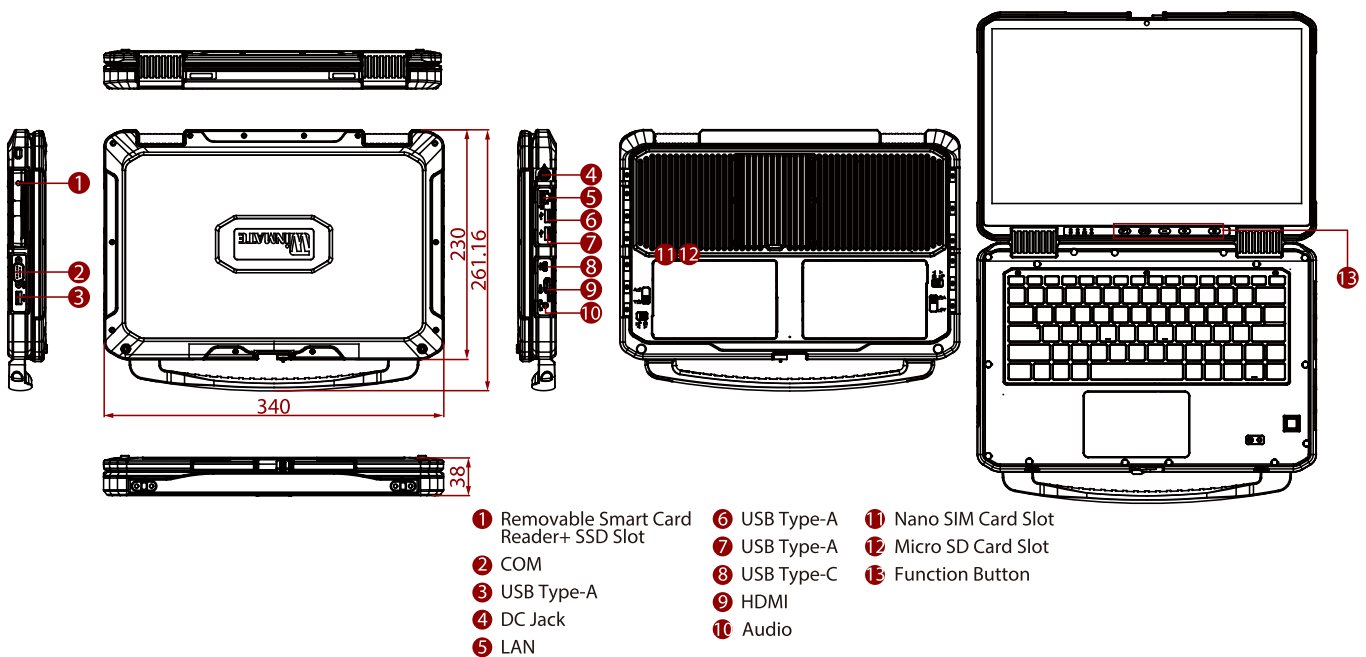
Battery	Hot-swappable 2 x 10.8V typ. 2400 mAh Li-Ion Battery (3S1P)	Battery Operating Time	Standard Battery: 8 hours
Power Rating	19V DC	Adapter	100-240V, 50-60Hz (19V DC)

Accessory

Accessory	Adapter and Power Cord Standard Battery	Optional Accessory	Spare Battery (Optional) Battery Charger (Optional) Vehicle Charger (Optional)
------------------	--	---------------------------	--

Barcode Scanner

DIMENSIONS UNIT:MM



NOTE

/ Disclaimer /

1. Accessories and Integrated Options may vary depending on your configuration.
2. Total usable memory and storage will be less dependent upon actual system configuration.
3. The actual transfer speed will vary depending on many factors including the processing speed of the host device, file attributes, and other factors related to the system configuration and your operating environment.
4. The USB Type-C connector follows USB 3.0 standard, which does not support Alternate Mode (ALT) or USB Power Delivery (USB-PD).
5. The battery life is measured at dimming LCD brightness. Varies depending on the usage conditions, or when an external device is attached.
6. The 2D drawing is simplified drawing and some components are not marked in detail.
7. Length measurements do not include protrusions. Weight varies with options.
8. TPM 2.0 available upon request.
9. SOTI is available upon request.
10. The product shown in this datasheet is a standard model. For diagrams that contain customized or optional I/O, please contact the Winmate Sales Team for more information.



Backplane
Systems
Technology

Backplane Systems
Technology Pty Ltd

TEL 02 9457 6400
sales@backplane.com.au
www.backplane.com.au