

Performances

1600.8PE/PiE

DESIGN

The Performances range of rotisseries has been especially designed for high-volume cooking with high output and speed, while retaining excellent cooking quality. Well designed, user friendly and reliable the Performances is used by leading super-markets and chain restaurants throughout the world.

Conscious of the high energy cost involved for our clients, the Performances rotisserie has energy saving infrared burners, patented by Rotisol. A wide array of accessories enable the rapid roasting of a variety of products.

FEATURES

- Energy efficient
- Tempered K-glass doors
- Independent motor for each spit
- Equipped with bottom drip tray with built-in drainage
- Reinforced and anti warping heating element
- Powerful halogen lamp
- Delivered with 8 prongless spits (CUI1600)
- Illuminated sign «Rotisserie»
- Base on casters with brakes

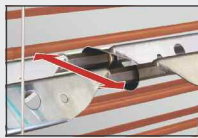
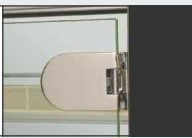
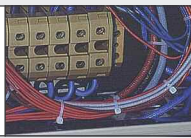





1600.8PE
Black enamel



TECHNICAL DETAILS

Overview of some of the standard features.

	Independent motors adjustable in depth for each spit		Robust hinges designed for heavy use, with integrated locking in open and closed positions		Easy and protected access to the compartment of connections and electrical components.
	Reinforced heating elements with stainless steel holders to keep them in place and removable stainless steel panels for easy cleaning.		Anti-scald K-glass reduces external thermal radiation (energy saving). Glass overlaps drip pan to keep splatters inside (anti-slip protection).		Removable inside side-panels doubles protection from grease seeping into motors and other sensitive parts

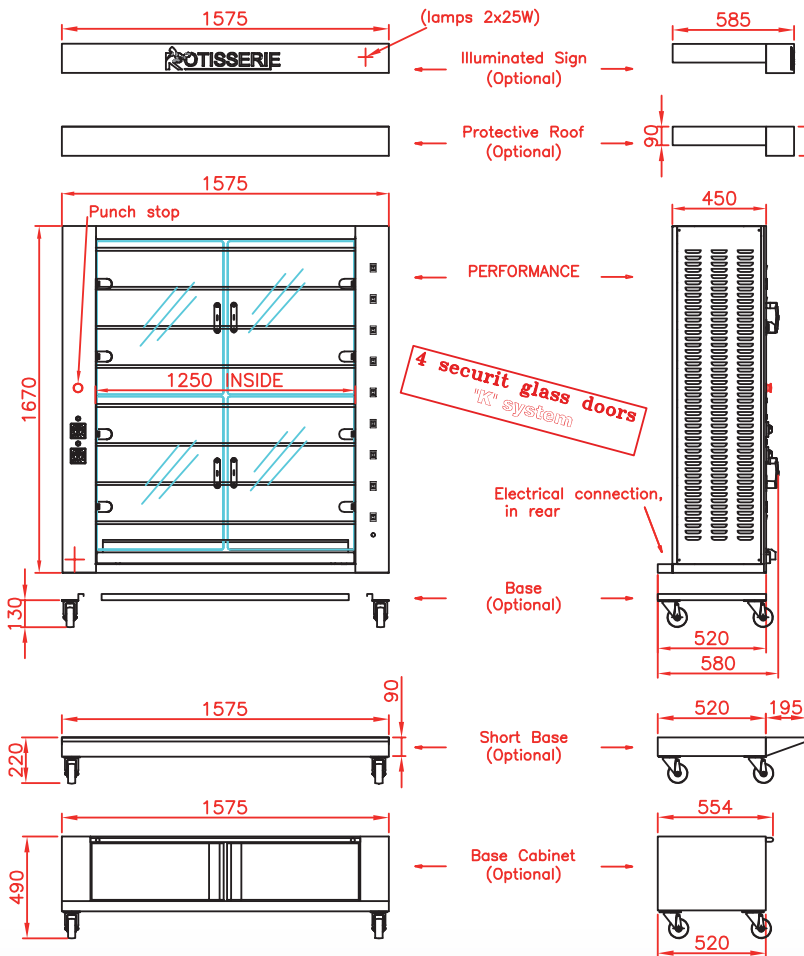
ACCESSORIES

A variety of accessories are available. See video of available [accessories](#) and of [vertical spit system](#) online.

CUI1600 Anti-cutting prongless V-spit.		PID1600 Tray for unspitting.		BRC1600 Rectangular basket spit.	
BS1600 Spit for ham / turkey.		BRRO1600 Roast-clamp spit.		BA1600 Lamb/suckling-pig spit.	
BCR1600 Spatchcock chicken basket.		DEC Spit mover.		AT Gas lighter.	

Front view

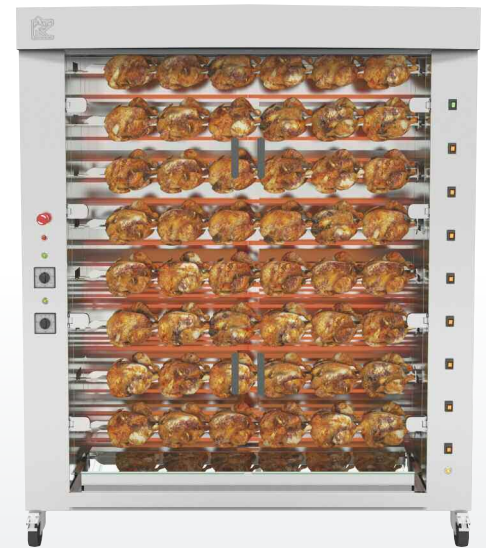
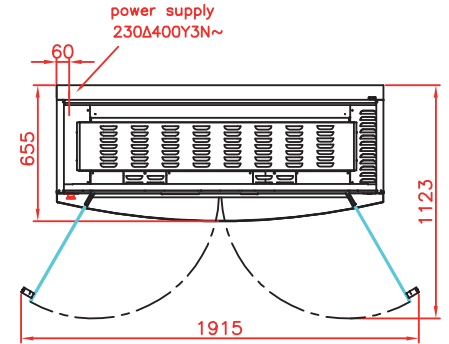
Rotisserie with roof (optional)
and base on casters (optional)



Side view

Rotisserie with roof (optional)
and base on casters (optional)

Rotisserie with roof (optional)
and base on casters (optional)



1600.8PiE
Stainless steel



Revised :
October 2020

SPECIFICATIONS

Capacity roasted chickens	48/56 poultries
Power supply	400 Volts 3 phases+neutral+earth
Electrical power	42.29 kW
Weight and size (HxDxW)*	295 kg ; 1890 x 655 x 1575 mm
Shipping weight and size*	365 kg ; 1900 x 780 x 1780 mm
Guarantee	1 year on parts

* with a stand or base cabinet (optional)



DISTRIBUTOR / AGENT

Rotisol S.A.S.
Zone industrielle La Trentaine, Avenue Gustave Eiffel
77507 Chelles cedex - FRANCE
s.bennell@rotisol.com - Tel : +33 1 64 21 80 00
www.rotisol.com