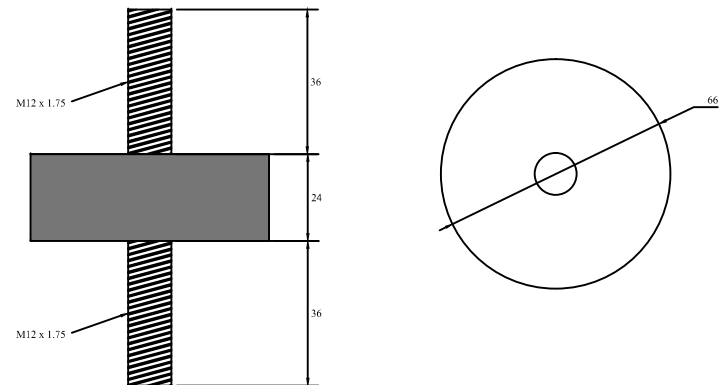
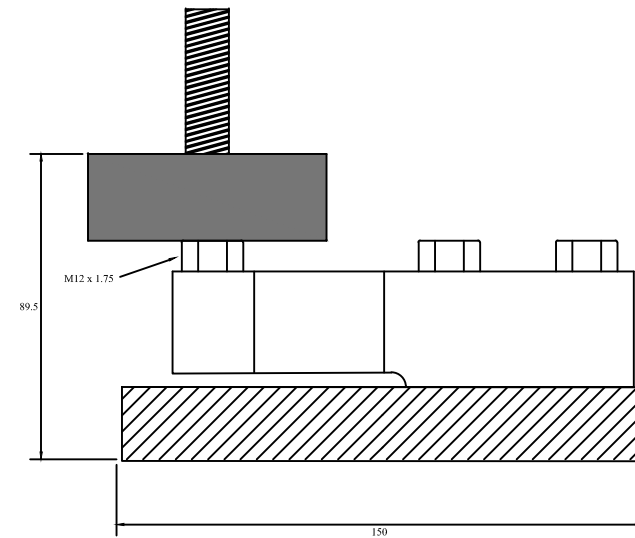
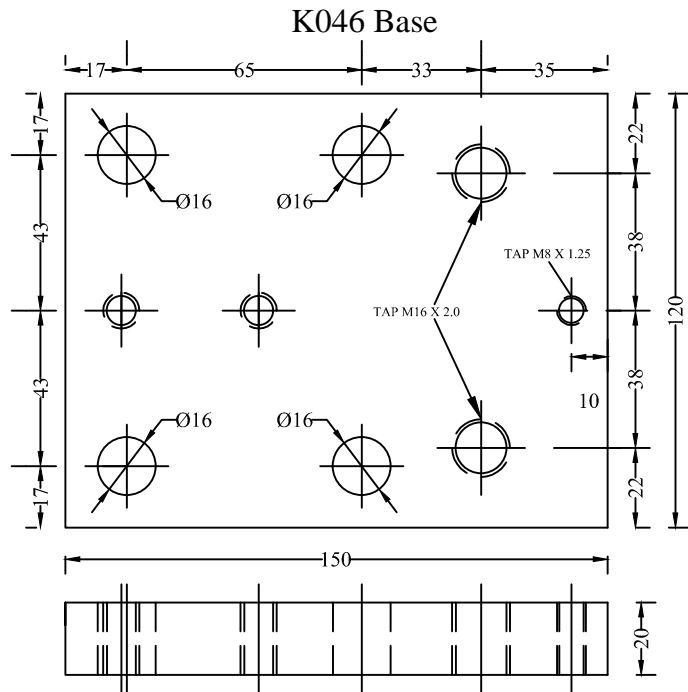


# K046/K053 MOUNTING KIT



Available in zinc plated steel or Stainless Steel.

Measurements: mm

Kelba Australia Pty. Ltd					
Reference		K046/K053 MOUNTING KIT			
Date	1/07/15	KA 500,KA1000 \$ KPA 6245 Loadcell			
Drawn By	J. Dagang				
Approved		Drg No.	K046-2	Rev	2
Scale	NTS			Date	1/7/15