



POSITIONING CHAIR

**KIDOO™**



USER MANUAL





Manufacturer takes responsibility for proper usage of the device only when the product was purchased from qualified Akces-Med employee or at specialized medical store!

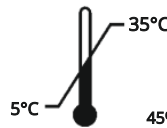
AKCES-MED. Ltd. reserve the right to introduce technical and trading changes in the content of the instruction without warning.



Product marked with the CE sign is Class I medical device, of rule 1, consistent with the requirements of Regulation (EU) 2017/745 of the European Parliament and of the Council of 5 April 2017 on medical devices.



Akces-Med. Sp. z o.o. Company introduced quality management system ISO 13485 regarding production, sales and service. The system is certified by Det Norske Veritas.





CONTENTS

- 1. The purpose of user manual.....6
- 2. Indications for use.....6
- 3. General characteristics of chair.....7
  - 3.1 Standard equipment.....7
  - 3.2 Accessories.....8
- 4. Size table.....10
- 5. Description how to use chair.....11
  - 5.1 Seat.....12
  - 5.2 Backrest.....12
  - 5.3 Armrest.....13
  - 5.4 Frame.....14
    - 5.4.1 Height adjustment.....14
    - 5.4.2 Tilt-in-space.....14
- 6. Accessories.....15
  - 6.1 **KDO\_102** Head supporting belt.....15
  - 6.2 **KDO\_104** HexagonPro™ headrest.....18
  - 6.3 **KDO\_114** H Harness, **KDO\_125** 6 points safety vest,  
**KDO\_130** 4 points safety vest.....20
  - 6.4 **KDO\_124** Loins support.....21
  - 6.5 **KDO\_128** Abduction block, **KDO\_154** Knee abductor.....21
  - 6.6 **KDO\_134 / 137** Narrowing pads 6 cm i 10 cm.....22
  - 6.7 **KDO\_155** Chest supports.....22
  - 6.8 **KDO\_403** Tray.....24
  - 6.9 **KDO\_429** Soft footrest cover.....24
  - 6.10 **KDO\_162** Dynamic ankle stabilizers (FP-22).....25
  - 6.11 **KDO\_436** JOY™ table.....26
  - 6.12 **KDO\_443** KIDOO™ table.....26
  - 6.13 **KDO\_443** Self-leveling tray.....26
  - 6.14 **KDO\_616** Footrest with 2 points feet stabilizing belts  
**KDO\_617/KDO\_618** Mobile base / Mobile base with footrest and 2 points feet  
 stabilizing belts  
**KDO\_619** Footrest  
**KDO\_620** Mobile base with footrest  
**KDO\_014** Skis / Rocking chair.....27





7. The use of chair.....29  
    7.1 Preparation of the patient.....29  
    7.2 How to use chair.....30  
    7.3 Sitting position.....31  
    7.4 How to use vest.....32  
8. Safety rules.....35  
9. Terms of warranty.....37  
10. Maintenance and cleaning.....38  
11. Labelling.....42





## INTRODUCTION

**KIDDO™** is a positioning chair that is perfect for therapy and fun as well as other daily activities such as learning or taking meals. The device can be used at home, school, kindergarten or in a group of peers. **KIDDO™** turns out to be an indispensable tool in the rehabilitation process, both in terms of therapy and social integration.

This positioning chair provides the child with proper support and safety, moreover, it can be easily adjusted to meet your child's needs and dysfunctions. Pelvic belt, headrest, height adjustable seat and armrests further enhance comfort and safety of the user. It is made of user-friendly materials. Available in 5 sizes.

***Remember to read this user manual carefully. You will find not only useful information but also guidelines regarding safe and effective use of the product.***

***If you have any questions or remarks, do not hesitate to contact with us:***  
***Medical consultant: mobile +48 508 382 509***  
***Akces-MED Sp. z o.o.: ph. +48 17 864 04 77***  
***e-mail: export@akces-med.com***

***Thank you for purchasing our product.***



Before using the product, user is obliged to familiarize himself/herself with user manual. Remember that complying with guidelines is highly important. It assures safety and extends durability as well as aesthetics of the device.





## 1. THE PURPOSE OF USER MANUAL



**The instruction manual contains basic information necessary to properly prepare the chair before use, use the chair, maintain and clean the chair.**

**This user manual should be kept in an easily accessible place. The manual is intended for people who look after disabled users, as well as for doctors and physiotherapists handling the chair. Before using the chair for the first time, the user (or caregiver) is obliged to familiarize himself/herself with the user manual.**

## 2. INDICATIONS AND CONTRINDICATIONS FOR USE

These medical devices are intended for people with orthopedic, neurological and cardiological diseases and for people after surgery, with musculoskeletal dysfunctions, who have not acquired the ability to sit independently or who have difficulties in adopting and maintaining the sitting position.

Both for flaccid people with reduced muscle tone and for people with spasticity. The device can also be really useful for people who require long-term relief of one or both lower limbs. It is an irreplaceable aid in the rehabilitation process, both in terms of movement and social integration. The device is great help during everyday activities such as rehabilitation but also during playing, studying or having meals. The selection of the appropriate size of the device depends on medical indications and anatomical parameters, regardless of the age of the user.

**The device is recommended for people in the following cases:**

- Cerebral palsy – various types and forms.
- Brain and spinal cord injuries with lower limbs paralysis and weakness, balance and motor coordination disorders with different etiology.
- Demyelinating disease (e.g. multiple sclerosis - SM).
- Meningocele.
- Muscles diseases with weakness and paralysis (dystrophy, myasthenia gravis, myositis).
- Genetic disorders.
- Degeneration and neurological diseases.
- Other condition connected with muscles weakness, paralysis and musculoskeletal disorders.
- After head and spinal cord injuries and spine trauma with paralysis and paresis.

**Contraindications for sitting**

- Critical condition of the user;
- Paralysis;
- Deep sedation;
- Unstable fractures with specific orthopedic recommendations, including spine fractures;
- Untreated deep vein thrombosis;
- Hemodynamic instability;
- Identified brain dysfunction when sitting upright;
- Severe arthritis of the cervical spine;
- Pulmonary embolism;
- Recent myocardial infarction in the last 24 hours;
- Fresh postoperative wounds or non-healing wounds in the back area, pelvic girdle area, hip joints and thighs;
- Users with mental disorders should not be left in the device without the supervision of a caregiver.





## 3. GENERAL CHARACTERISTICS OF CHAIR

### 3.1 STANDARD EQUIPMENT

- ① Medical upholstery **MEDICUS™**
- ② Armrests with adjustable height and tilt angle
- ③ Pelvic belt
- ④ Seat with depth adjustable
- ⑤ Backrest with tilt angle adjustable
- ⑥ Frame with height adjustable and tilt-in-space adjustment





### 3.2 ACCESSORIES



Skis / rocking chair



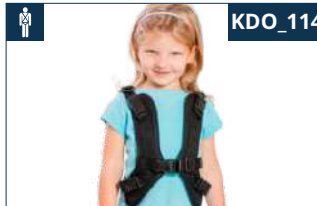
Thigh abduction belts



Head supporting belt



HexagonPro™ headrest



H Harness



Loins support



6 points safety vest



Abduction block



4 points safety vest



Narrowing pads 6 cm



Narrowing pads 10 cm



Knee abductor



Chest supports

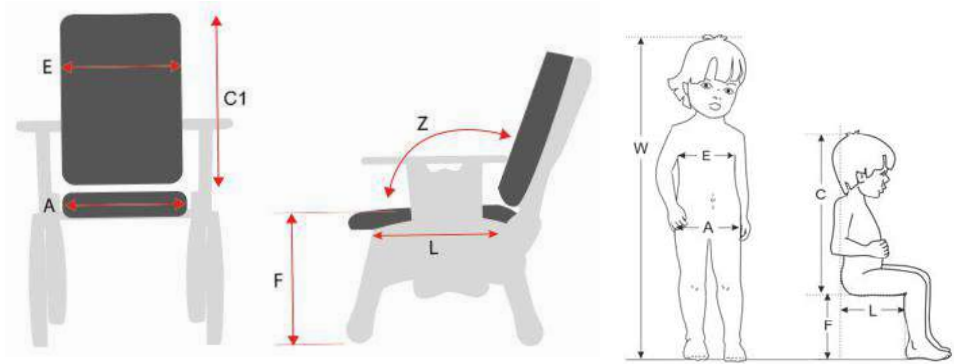


Foot and ankle stabilizing sandals





## 4. SIZE TABLE



Symbol	Measurement	Unit	Size 1	Size 2	Size 3	Size 4	Size 5
W	indicative user height*	[cm]	90-100	90-115	100-130	110-150	120-160
A/E	seat / backrest width	[cm]	23	26,5	31	35	42
L	seat depth	[cm]	18-23,5	22,5-30	24,5-34,5	31-41	36-47
C <sub>1</sub>	backrest height	[cm]	26	31	35	40	44
F	floor to seat height	[cm]	19,5-26	24-31,5	27,5-36,5	33-44	36-49
Z	backrest tilt angle	[°]	90-116	90-116	90-116	90-116	90-116
	max. user weight	[kg]	20	30	40	55	70

\*Height cannot be the main parameter while choosing the product size.

### WEIGHT AND DIMENSIONS

Measurement	Unit	Size 1	Size 2	Size 3	Size 4	Size 5
Width	[cm]	34	37	42	47	55
Length	[cm]	37,5	41	53	58	66
Height	[cm]	48	56	63	75	81
Weight	[kg]	5	6,5	8	11	14

**Note:** Measurement tolerance range is +/- 1 cm / ½ in.

**Note:** Approximate values, depending on the product configuration.

As a part of our permanent product improvement, Akces-Med reserves the right to change design and specifications without notice. Further, not all options and features offered are compatible with all configurations. Please refer to the user instruction manual for more information.





## 5. HOW TO USE THE CHAIR

### KEY



**Info icon** – appears in the manual when you need to read the additional information.



**Info icon** – appears in the manual when you need to use the tools indicated in the assembly description.



**Warning icon** – appears in the manual when you need to take special precautions.



## 5.1 SEAT



Loosen the **A** knobs to adjust the seat depth. Knobs can be found under the seat. **After adjusting the seat, tighten the knobs firmly.**

## 5.2 BACKREST



Loosen the **B** knobs to adjust the backrest tilt angle. **The adjustment of the backrest is gradual. After adjusting the backrest, tighten the knobs firmly.**





In case the backrest is inclined significantly (level 3 or 4) or the user has a tendency to “swing” on the chair, it is recommended to mount the skis (accessory) which will stabilize the chair and prevent it from tipping over.

### 5.3 ARMREST



Use the knobs **C** to adjust the height of the armrests. Before mounting the tray on the armrests, set the armrests at the same height, parallel to the ground. Lowering the armrests will make it easier to place a child on the chair. **After adjusting the armrests, tighten the knobs firmly!**



**Do not lift the chair by the armrests, regardless of whether the user is sitting on it or not.**





## 5.4 FRAME

### 5.4.1 HEIGHT ADJUSTMENT



#### REQUIRED TOOLS

① hex key 4



Use the screws **D** to adjust the height of the chair. The chair's legs should be positioned symmetrically on both sides of the chair. **After adjusting the frame, tighten the knobs firmly.**



### 5.4.2. TILT-IN-SPACE



Tilt is a space function is available thanks to the legs height adjustment. While the seat tilt is more than 7,5 ° we strongly recommend use the chair with **Skis KDO\_014**.



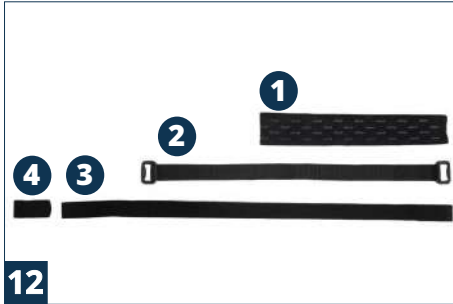


**In case the tilt-in-space function is being used or the user has a tendency to “swing” on the chair, it is recommended to mount the Skis KDO\_014 which will stabilize the chair and prevent it from tipping over. Before using the chair, make sure that all the knobs and fastenings of the adjustable elements are firmly tightened**



## 6. ACCESSORIES

### 6.1 KDO\_101 HEAD SUPPORTING BELT



First, fit elements No. 1 and 3 to the user. To do this, cut them to the correct length.

13 14



After cutting the strips to the appropriate length, connect the strip No. 3 with the connector No. 4. (photo 7). Then connect the strip No. 1 with the strip No. 3 so that it is in the middle.





Then connect the two ends of the strip with the strip No. 2 in such a way that the indicated Velcro strip No. 2 is facing inwards.



Then we fasten the strap on the headrest.





## 6.2 KDO\_104 HEXAGONPRO™ HEADREST

### 6.2.1. ASSEMBLY OF THE HEADREST



#### REQUIRED TOOLS

① hex key 4



21



22



The headrest can be adjusted in 3 planes - height and depth adjustment and the width of the headrest. Thanks to the modular structure, it is also possible to adjust the headrest to the shape of the user's head. This helps to properly position the head and improves the comfort of use. A properly stabilized and supported head significantly reduces the tension in the neck / nape muscles.





In order to adjust the height and depth of the headrest, loosen the indicated screws with an Allen key (photo 23), set the headrest in the desired position, tighten the screws firmly. Make sure the headrest is locked in place.



In order to adjust the width of the headrest, loosen the indicated screws with an Allen key (photo 26), set the headrest in the desired position, tighten the screws firmly. Make sure the headrest is locked in place.





6.3 KDO\_114 H HARNESS

KDO\_126 6 POINTS SAFETY VEST

KDO\_130 4 POINTS SAFETY VEST



**CAUTION!** Before using the vest, it is essential to familiarize yourself with the safety rules contained in the instruction. Information on how to safely use the VEST can be found on the page 30 of the instruction. Improper use and not obeying the safety rules may endanger the user's health and life.





### 6.4 KDO\_124 LOINS SUPPORT



The loins support is fastened behind the backrest of the chair.



30

### 6.5 KDO\_128 ABDUCTION BLOCK KDO\_154 KNEE ABDUCTOR



To assemble the **Abduction block KDO\_128** or the **Knee abductor KDO\_154** there is necessary to slide them under the seat (indicted place) to total lock (fig. 16). You can adjust the level of sliding the knee abductor or the abduction block with special latch. To do that, there is only necessary to pull it out and place particular elements in the required position.



31



32



33





**6.6 KDO\_134 NARROWING PADS 6 CM  
KDO\_137 NARROWING PADS 10 CM**



**i**

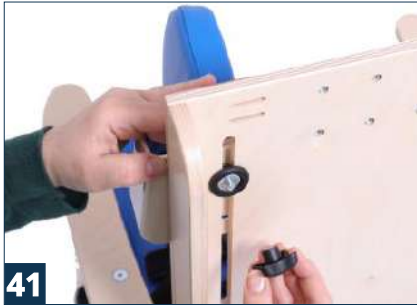
Narrowing pads are assembled to forearm rests with special Velcro.

**6.7 KDO\_155 LATERALL SUPPORTS**

**i**

To assemble the laterall supports you should remove the backrest cushion and place them in the required height (fig. 36), them put the screw in the front (fig. 21) and secure the screw with washer and knob (fig. 39-42).







## 6.8 KDO\_403 TRAY



To mount the tray, set the armrests at the same height and slide the tray while pulling the pin down, as shown in the photograph. You can also adjust the position of the tray with the use of the pin.



**Maximum tray load is 7 kg! Do not lift the chair by the tray, regardless of whether the user is sitting on it or not.**

## 6.9 KDO\_429 SOFT FOOTREST COVER





**6.10 KDO\_162 DYNAMIC ANKLE STABILIZERS (FP-22)**





### 6.11 KDO\_436/1 JOY™ TABLE



**JOY™** table is unique accessory to our rehabilitation chairs. It can be used along with other chairs, school chairs or office chairs. **Before using the table, please read the instruction manual supplied with the product!**

### 6.12 KDO\_443 KIDOO™ TABLE



**Before using the table, please read the instruction manual supplied with the product!**

### 6.13 KDO\_448 SELF-LEVELING TRAY



There is a bag filled with granules attached to the bottom of the tray with Velcro. It has a special pocket which allows you to adjust the amount of the granules depending on your needs. **Attention! An additional bag with granules is available as an option.**





**6.14 KDO\_616 Footrest with 2 points feet stabilizing belts**  
**KDO\_617 Mobile base**  
**KDO\_618 Mobile base with footrest and 2 points feet stabilizing belts**  
**KDO\_619 Footrest**  
**KDO\_620 Mobile base with footrest**  
**KDO\_014 Skis / Rocking chair**

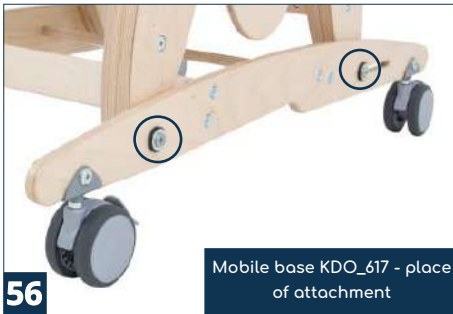


**REQUIRED TOOLS**

**1** hex key 4

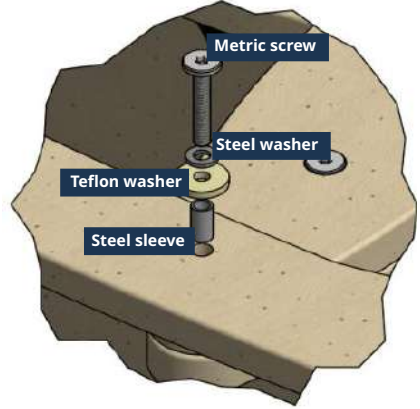


Bases and anti-tip wheels are assembled to the frame of the chair on each.





Elements are assembled to the chair with included kit according to the shown diagram. The screw should be tightened with Allen key.



Additionally, **KIDOO™** can be converted into comfortable rocking chair. To do that, there is necessary assemble skis in the other way.





## 7. THE USE OF CHAIR



**KIDOO™** chair has to be used with compliance to guidelines included in this user manual. Remember to use the product only with someone who is trained and knowledgeable. Do not forget to prepare both product as well as patient before using **KIDOO™** chair.

### 7.1. PREPARATION OF THE PATIENT

**Before using the product, it is essential to make sure that:**

- patient's outfit is light and comfortable sporty clothes are advisable;
- shoes should be comfortable and, moreover, they should stabilize ankle;
- due to hygienic reason and to avoid abrasion it is advisable for the patient to always wear clothes when using the device, skin must not be naked especially in places of regular contact with upholstery;
- drains, bags, catheters etc. if applied, have to be secured to function properly and not to disturb during using the product;
- if it is necessary for a patient to wear orthopedic supply (collar, corset, orthosis, shoes) if it is recommended by doctor.



Outfit should protect patient's skin from direct contact with upholstery as well as other parts of equipment.

Only doctor can make a decision concerning using any kind of orthopedic supply!





## 7.2. HOW TO USE CHAIR

### 1. How to prepare the chair for use:

- Unfold the device;
- Place the device on even ground;
- Make sure that all parts are serviceable, correctly mounted and stable;
- block the wheels (in case the mobile bases with wheels are mounted);
- Adjust the device to patient's measurements;
- Undo vest, trunk belts etc so as to place easily the patient in the device;
- Place patient in the device;
- fasten the elements used to stabilize the user – the pelvic belt or vest;
- adjust the abduction block or knee abductor;
- mount the tray (if available).

2. In case of patients who have problem with bladder, it is necessary to put special cloth on seat. This cloth can be purchased in pharmacy or medical shops.



**Before the product is used, it is highly necessary to make sure that all belts as well as safety equipment are correctly fastened as well as adjusted. What is more, check if they do not become undone due to the pressure and, moreover, make sure that clampings from adjustable elements are firmly tightened!**

**Equipment works correctly only when the device is adjusted according to patient's height as well as weight. Remember to take all these measurements into account while purchasing the product. Correct adjustment is the most important due to the fact that only then the product is safe. It is forbidden to force child to keep specific position because he/she will feel uncomfortable and it may lead to wrong posture.**





## 7.3. SITTING POSITION

Taking the sitting position for the first time by the little patient usually happens in the rehabilitation, neurology, neurosurgery or orthopaedic ward. It is very important to adjust all parts of the device to the condition of the child, taking into consideration contractures and deformations. Taking the sitting position at home is supervised by qualified staff.

(physiotherapists, nurse, trained members of the family) po uprzednim zapoznaniu się z instrukcją obsługi fotelika.



**Incorrect adjustment of the device can lead to side effects such as: fainting, body deformities, overloading joints. It is highly advisable to adjust the device before every use of a standing frame. This adjustment has to be done only by a trained person or therapist. If any of these side effects appear, it is highly important to stop the upright position process, take out the patient from the device and lie him/her down. If these undesirable side-effects still occur it is necessary to contact doctor. If these side effects disappeared, remember to inform doctor so as to make decision concerning further upright position process.**

**Only doctor can make decision concerning the use of rehabilitation chair!**

**Adjusting the chair to the user should only be done by people who have been properly trained and have read the instruction manual.**





## 7.4. HOW TO USE VEST



The vest provides posture support for wheelchair users as well as patients sitting in positioning chairs or other rehabilitation seats. When properly used, the vest allows the patient to adopt the correct sitting position for a longer period of time. The design and shape of the vest make it possible for the patient to be free to move their upper limbs within the constraints of the patient. **If the vest is not used properly, it can pose a serious threat to the health and life of the patient!**

### Possible threats incident to the use of the vest:

- 1) If the lower vest straps are fastened too loosely, there is a risk that the vest will move upwards to the patient's neck, making it difficult to breathe** – always check the tension of the straps and set them in such a way that the lower edge of the vest is located near the lower abdomen of the patient.
- 2) In a situation when the patient slips off the seat, the upper edge of the vest covers the patient's neck and blocks the trachea, making it difficult to breathe** – it is therefore necessary to ALWAYS use the accessories stabilizing the patient's pelvis, such as a pelvic belt, thigh abduction belts or an abduction block.
- 3) There is a risk that the upper straps of the vest will press the patient's neck, blocking the trachea and making it difficult to breathe.** This might happen if the patient's body is improperly secured in the seat or stroller – it is then necessary to use the optional accessories of these devices and stabilize the patient's body using the lateral supports. If there is no possibility to use such accessories with the device and the patient's body cannot be properly stabilized, the device should be replaced with the one having such an option.
- 4) The vest is fastened too tightly to the backrest and as a result the patient cannot breathe easily** – in this case the vest should be loosened in such a way that it is possible for the caregiver to insert a straightened hand between the vest and the patient's body. If, however, we want to stabilize the patient's body properly, we should use a dynamic orthopedic vest, e.g. a Flex-point vest, which does not cause the breathing difficulty for the patient.





## Instructions for the proper use of the vest:

- 1) Make sure that the patient is sitting in the best possible position:
  - in the middle of the seat,
  - deeply in the seat in such a way that the patient's lumbar spine rests against the backrest.
- 2) Secure the patient's pelvis with, for example, a pelvic belt, thigh abduction belts or an abduction block.
- 3) Make sure that the side supports of the device, if used, are set in the correct position. It is required that the patients with the poor trunk control use the side supports. The side supports limit the lateral movements of the patient's body, which could lead to the compression of the vest straps on the neck of the patient.
- 4) Secure the vest:
  - fasten and adjust the lower straps of the vest, so that the lower edge of the vest is located near the lower abdomen of the patient,
  - fasten the horizontal strap of the vest (if present),
  - fasten the shoulder straps of the vest,
  - check if the buckles of the vest do not open under pressure.
- 5) Check the patient's position:
  - make sure that the vest cannot move by itself towards the patient's neck,
  - make sure that you can insert a straightened hand between the vest and the patient's body.

## To prevent injuries and to minimize the risks associated with the use of the vest, the following rules should be followed:

- 1) The position of the vest MUST be checked each time after putting the patient in the seat.
- 2) Special attention should be paid to protecting the patient from falling forward, slipping off the seat or lifting the pelvis. The vest MUST be used with the accessories which will secure the patient's pelvis at all times (e.g. the pelvic belt, thigh abduction belts or the abduction block). The use of the vest cannot be considered separately but as a part of a general posture support system including supports such as pelvic belts, foot support, torso stabilization, thigh abduction belts, tilt-in-space position and reclining backrest.
- 3) Special attention should be paid to ensuring that the entire foot of the patient has stable support. If the device is not equipped with a foot support, the patient's feet must rest firmly against the ground.





- 4) It should be remembered that any change of the inclination angle of the backrest, seat, foot support or tilt-in-space function might affect the effectiveness of the belts and supports!
- 5) Special attention should be paid to the use of stabilization elements or side supports. If the patient has poor trunk control, the side supports will limit the lateral movements, which could lead to the compression of the vest straps on the neck of the patient.
- 6) The mounting of the vest and adjusting it to the patient can only be carried out by a suitably trained person, who is familiar with the instructions for the use of the vest and the rules of its safe use.
- 7) Do not make any repairs or modifications to the vest on your own. In order to repair or replace any part of the vest, please contact the manufacturer.
- 8) Do not use a damaged or incomplete vest, as this poses a serious threat to the health and life of the patient!
- 9) Do not leave the patient in the device unattended!
- 10) The correctness of the use of the vest should be particularly controlled in accordance with the recommendations in case of children, patients with impaired memory or mentally ill.
- 11) Make sure that all people taking care of the patient are familiar with the rules of the safe use of the vest.

### **How to care for the vest:**

The vest works effectively only if kept clean and maintained in accordance with the manufacturer's instructions. Before each use of the vest, check whether:

- 1) The vest straps are not frayed or worn. If so, have them exchanged for new ones,
- 2) The vest straps are not attached to the wheels of the device,
- 3) The buckles are not damaged. If so, have them exchanged for new ones,
- 4) The Velcro fastening holds firmly. If not, remove any dirt or hair from the Velcro, or have it replaced with a new one,
- 5) There have been no changes in the patient's height or weight from the moment the vest was adjusted to the patient,
- 6) The shoulder straps of the vest are adjusted so that they are not too loose or too tight,
- 7) The vest should be cleaned regularly with the use of warm soapy water and dried out of the direct sunlight and other sources of heat. The vest must always be dry before usage.

**If you have any doubts or questions about the use of the vest, please contact your doctor or physiotherapist.**





## 8. SAFETY RULES



**KIDOO™** chair has to be used in compliance with guidelines in this user manual.

It is highly important to consult either doctor or physiotherapist in order to make right decision concerning the choice of chair and its size. It is also essential to familiarize with the guidelines described in user manual before using the device.

### 1. Before use it is necessary to:

- make sure that there are no damages or different faults which could endanger patient's life; check if all parts are working and are correctly mounted and, moreover, check if they are not broken;
- check if all screws, knobs and all glued, sewed or tapped parts are tightened;
- check if brakes are operating correctly;
- check if buckles are operating correctly;
- always use safety belts, Velcro tapes should overlap min. 8cm;
- adjust the device according to patient's measurements and needs e.g. the adjustment of pelottes, footplate etc.;
- make sure that all movable parts and knobs for adjustments are stable and locked;
- secure patient with the aid of elements such as vest, foot stabilizing belts, pelottes, abduction block, headrest. It is highly important to secure patient because it safeguards him/her from falling out. If abduction contracture occurs, it is recommended to use abduction block in order to prevent ulcers between knees;





2. It is forbidden to use chair for different purposes that it is intended to.
3. It is forbidden to use chair when it is damaged or any part is missing.
4. It is forbidden to leave the patient unattended.
5. Chair should be used only when there is someone who is trained and knowledgeable.
6. It is forbidden to leave chair and the patient on unstable ground unattended, even if the brake is engaged.
7. It is forbidden to either go up or down the stairs; it doesn't matter if the patient is placed in the device or not.
8. It's important to make sure that patient doesn't stand on footer during either getting into or getting out the chair.
9. It is important to engage brake during getting into and getting out the chair.
10. Make sure that all limbs are not close to spokes or other adjustable elements.
11. Please pay your attention when approaching to sources of fire or sources of high temperature during using the device. Moreover, chair shouldn't be stored in rooms with high humidity.
12. Secure chair during transportation in order to avoid any possible damages. Manufacturer doesn't take responsibility for damages which appeared due to improper preparation of the device during transportation.



**Incorrect product adjustment can lead to such side effects as fainting, body deformities, joint overload, etc. If the abovementioned symptoms occur, stop using the product immediately, take the user out of the product and lay them down. If the undesirable symptoms persist, contact a physician immediately. If the symptoms have disappeared, inform the attending physician about this fact in order to make a decision about the further rehabilitation process. It is forbidden to place the patient in the device while being in car, bus or train.**

**The product contains small parts which children may swallow.**

**This device can be only used inside the buildings.**





**Do not use a product that has any signs of damage, tearing or wear. Only an undamaged product and proper use guarantee its right and safe working. If the product is damaged, discontinue use and contact the manufacturer.**

**Under no circumstances should an unqualified person repair or alter the product and its construction, as the health and safety of the user depend on it as well as it will lead to the loss of warranty.**

**The weight of user should not be bigger than maximal weight described on page 10 where you will find information regarding this issue.**

**Serious incidents involving this device should be reported both to manufacturer and to the competent authority in your country**

## 9. TERMS OF WARRANTY

- 1) Akces-MED Sp. z. o. o sells products free from manufacturing defects or faults.
- 2) Manufacturer gives the purchaser **24-month** guarantee from the date of purchase. All defects revealed during warranty period will be repaired free of charge.
- 3) All defects which appear after warranty period can be repaired only when the user will pay for it. This rule doesn't apply to refunded products - user can ask National Health Refund for refund.
- 3a) The stroller is covered by a 36-month warranty on the territory of Canada – the details of the rights resulting from the extended warranty are regulated by the warranty card.
- 4) Manufacturer claims that the product can be used for **36-months**. User can use this product after this period only when he/she will send the device to manufacturer so as to service it. Next, manufacturer determines again how long the product can be used and, moreover, the date of the next service will be determined.
- 5) If product is damaged, please contact our dealer or Akces-MED Sp. z. o. o customer service (ph. 17/864 04 77, e-mail: [export@akces-med.com](mailto:export@akces-med.com))





## 10. MAINTENANCE AND CLEANING

**KIDOO™** chair should be kept clean and used in compliance with the manufacturer's recommendations. The device should be kept in clean, dry and ventilated room. Maintenance as well as cleaning have to be performed at least once a month. Regular cleaning and maintenance of chair are indispensable to maintain its correct functionality as well as safety.

### **Recommendations for cleaning the upholstery and other elements of the chair:**

1. Wash with warm water using a soft cloth and mild cleaners.
2. Make sure the cloth is not too wet, as this may enlarge the stain and damage the upholstery or foam inside the upholstery.
3. Remember to remove excess moisture from the upholstery before the next cleaning.
4. After cleaning the stains, the upholstery should be rinsed with lukewarm water and dried with a clean cloth.
5. You must not soak the upholstery.
6. The upholstery must not get wet during cleaning.
7. Do not use hard brushes for cleaning the upholstery.
8. Do not clean the upholstery with strong chemicals, e.g. solvents or chlorine-based caustics.
9. Do not clean, replace any elements or maintain the chair during use.
10. Metal and plastic elements should be cleaned by hand with suitable cleaners, after having read the recommendations of the manufacturer of the given cleaner.
11. It is possible to disinfect metal, plastic, wooden and upholstery elements of the product with a generally available disinfectant. In order to disinfect the selected element, spray its surface with a disinfectant generally available on the market and wipe with a dry, clean cloth. After disinfection, wait until the element is completely dry, especially in the case of upholstery. Before using the disinfectant, first check in an invisible place whether the product will not discolor or damage the disinfected surface.





Remember that upholstery has to be always dry before using!



**The manufacturer of the chair, Akces-MED Sp. z o. o., is not responsible for any damages caused by using unsuitable cleaners.**

**Before using it is necessary to:**

- clean wheels;
- check if base as well as wheels are correctly mounted; check if brake stops turning wheel;
- check if wheelchair construction is free of breaks or any kinds of deformities;
- check if all movable parts are working and all screws, nuts, knobs etc. are correctly tightened;
- check if belts, vests, trunk belts, feet stabilizing belts etc are not frayed; check if buckles and clamps work correctly.



Manufacturer takes responsibility only for hidden faults or damages which appeared despite the fact that user complied with the guidelines.

In case of any damages, it is essential to contact the person who sold you the product.





## TECHNICAL INSPECTION

Technical inspections should be performed regularly. Before servicing, the product should be thoroughly cleaned to reveal any hidden damage.

Frequency	What should be checked? What should be done?	Remarks
<b>Before each use.</b>	<p>General condition of the product.</p> <p><b>Check:</b></p> <ul style="list-style-type: none"> <li>the entire product for any visible damage, cracks or mechanical defects,,</li> <li>if the product complete,</li> <li>if all bolts, screws, knobs, nuts and other elements of the construction are complete and tightened..</li> </ul>	In case of any damage or defects, discontinue the use of the product and contact your Supplier/Distributor or the Manufacturer.
	<p>Wheels and brakes.</p> <p><b>Check:</b></p> <ul style="list-style-type: none"> <li>if the wheels are properly mounted and if they are not damaged,</li> <li>if the brake is blocking the spinning wheel,</li> <li>if the wheels are not dirty. If necessary, clean the wheels.</li> </ul>	In case of any damage or defects, discontinue the use of the product and contact your Supplier/Distributor or the Manufacturer.
	<p>Fastening of the construction elements.</p> <p><b>Check all the mechanisms of the product and its moving parts. Check in particular:</b></p> <ul style="list-style-type: none"> <li>if the seat is properly mounted (if applicable),</li> <li>if the wheels are properly mounted (if applicable),</li> <li>if the elements securing the user are properly mounted and if they work well (if applicable),</li> <li>if all the moving parts are complete, work properly, do not jam,</li> <li>if the adjustment mechanisms of the following elements work properly (if applicable): headrest, backrest, seat, abduction block, armrests, footrests.</li> </ul>	In case of any damage or defects, discontinue the use of the product and contact your Supplier/Distributor or the Manufacturer.
	<p>Upholstery elements.</p> <p><b>Check:</b></p> <ul style="list-style-type: none"> <li>if there is any damage, tears, rips, loose seams or deformations on the upholstery elements,</li> <li>if the stabilizing straps, vests or safety belts are not frayed or twisted and if the buckles work properly,</li> <li>if the stabilizing straps, vests or safety belts work correctly and do not unfasten under pressure or when pulled.</li> </ul>	In case of any damage or defects, discontinue the use of the product and contact your Supplier/Distributor or the Manufacturer.
<b>Once a week.</b>	<p>Product cleaning.</p> <p>If the frame and upholstery get dirty (dusty, muddy, etc.) during everyday use, wipe them with a damp cloth without detergents. Remove dirt (e.g. hair, food remains, etc.) from the moving parts of the product.</p>	The product should be cleaned when necessary, but at least once a week. Do not use any chlorine based cleaners or methylated spirit. Before using the product, check if the upholstery is dry.





Frequency	What should be checked? What should be done?	Remarks	
Once a month.	Wheel axles, quick connectors (if applicable).	<p><b>Check:</b></p> <ul style="list-style-type: none"> <li>if the wheels are rolling and if they are not loose. To maintain the wheels, apply a small amount of a preservative-lubricant between the axle and the wheel hub. Check if you can easily remove and attach the wheels.</li> </ul>	<p>Clean the wheels when dirty.</p> <p>In case of any damage or defects, discontinue the use of the product and contact your Supplier/Distributor or the Manufacturer.</p>
	Product construction connectors (welding, threading, soldering)	<p><b>Check:</b></p> <ul style="list-style-type: none"> <li>the condition of the product frame in the places of joining (welds, threads, soldering).</li> </ul>	<p>In case of any damage or defects, discontinue the use of the product and contact your Supplier/Distributor or the Manufacturer.</p>
	Tires/innertubes (if applicable).	<p><b>Check:</b></p> <ul style="list-style-type: none"> <li>tire wear condition. Check for visible damage. Check tire pressure (if applicable).</li> </ul>	<p>If the tire pressure is too low, inflate them to the correct level.</p> <p>In case of any damage or defects, discontinue the use of the product and contact your Supplier/Distributor or the Manufacturer.</p>
Once every 6 months.	Construction moving parts.	<p><b>Check:</b></p> <ul style="list-style-type: none"> <li>if the moving parts of the construction have not been damaged. Maintain them using a proper cleaning agent.</li> </ul>	<p>In case of any damage or defects, discontinue the use of the product and contact your Supplier/Distributor or the Manufacturer.</p>
	Product labeling.	<p><b>Check:</b></p> <ul style="list-style-type: none"> <li>if the marking and labels are readable.</li> </ul>	<p>In case of any damage or defects, discontinue the use of the product and contact your Supplier/Distributor or the Manufacturer.</p>
After the life time of the product finishes.	Detailed product check.	Check the product.	<p>The manufacturer specifies the life time of the product, which is given in the user manual. After the given period, the user may use the product only if it is sent back to the manufacturer to be checked first. After that, the manufacturer will re-define the life time of the product and the date of the next check.</p>

The list of all spare parts is available for download after selecting a product on [www.akces-med.com](http://www.akces-med.com).





# 11. LABELLING

## 11.1. SYMBOLE

- Declaration that the product meets the essential requirements
- Catalog number
- Serial number
- Please read the manual instructions before use
- Do not iron
- The product does not contain latex.
- Store in a dry place
- Careful! delicate content
- Protect from sunlight
- Storage temperature limitation
- Relative humidity storage
- Do not chlorinate
- Do not dry in a drum dryer

- Do not bleach
- Dry vertically
- Prohibition of use without fastened safety belts
- Prohibition to leave the patient without care during use of the product
- Product designed for indoor use
- Manufacturer
- Production date
- You need to read the additional information.
- You need to press the button shown in the photo.
- You need to use the tools indicated in the assembly description.
- You need to take special precautions.

## 11.2. EXAMPLE OF IDENTIFICATION PLATE

**QR code** - after scan you are directed to the website of the product

**Producers address**

**Name od product in Polish**

**Name of product in English**

**Date of production**

**Maximum allowable product loading**

**Labeling - look above**

**Serial number in the form of a bar code**

**Serial number**

**AKCES MED**  
www.akces-med.com

**KIDOO 1**  
FOTELIK ORTOPEDYCZNO-REHABILITACYJNY ZA STABILIZACJĄ PLEĆCÓW I GŁOWY

**KIDOO 1**  
MODULAR POSITIONING CHAIR

Akces-MED Sp. z o.o.  
Jasionka 055B  
36-002 JASIONKA  
POLAND

05.2014

**MAX LOAD: 30 kg**

**CE**

**SN** KDO 001/U/1/AA

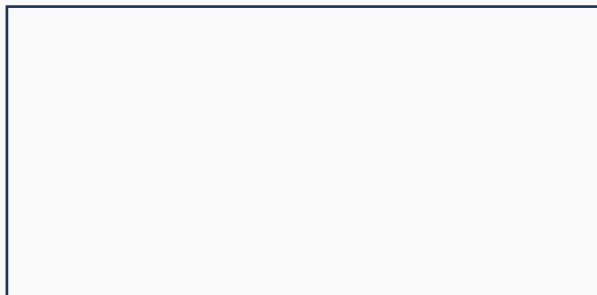


## MANUFACTURER



**Akces-MED Sp. z o.o.**

Jasionka 955B  
36-002 Jasionka  
tel. (17) 864 04 77  
e-mail: [export@akces-med.com](mailto:export@akces-med.com)  
BDO: 000031619



Authorised Dealer



**akces-med.com**

Date of issue: 23.6.2016  
The last update: 14.01.2022  
© Sławomir Wroński 2022