

# MOVE TRO SERIES

SMART WAREHOUSES FOR STORING AND HANDLING  
SHEETS OF NATURAL STONE, QUARTZ AND CERAMIC



# PRODUCTIVITY AND FLEXIBILITY IN SMALL SPACES



The entire **Movetro** range sets the standard for automated systems for the storage and handling of sheets of marble, granite, quartz and ceramic.

All **Movetro** solutions are tailor-made and designed to enhance company performance, optimising the level of automation, efficiency and operator safety, while at the same time eliminating the risk of accidents due to incorrect handling.

## **MOVETRO** SERIES

- **100% PRODUCTIVITY INCREASE**
- **100% PERSONALISATION**
- **100% INTEGRATION**
- **50% SPACE SAVED**
- **0 INTERRUPTIONS DURING RESTOCKING**
- **0 RISKS FOR OPERATORS**

# A SOLUTION FOR EVERY NEED

MOVETRO automated loading and storage systems are cutting-edge machines that offer the right solution to address specific challenges.

## **STORAGE**

The ideal solution to save space and increase the number of inventory items.

---

## **HANDLING**

Automated sheet handling systems to increase the productivity of processing lines.

---

## **LOGISTICS**

Logistics systems for the distribution of whole sheets.

---

Different companies often share the similar manufacturing processes, but the way these are implemented depends on a mix of factors unique to each business, making precise customisation of the solutions a necessity: Movetro has become the specialist in this field.





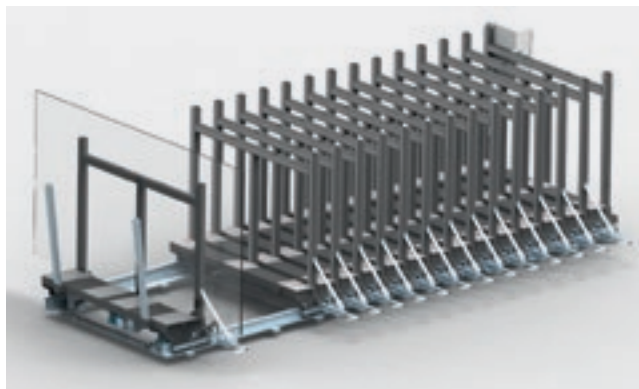
# SAFE AND HIGHLY AUTOMATED HANDLING

Creating space, increasing warehouse capacity, diversifying the array of stored items, and making material easily accessible has never been so easy.

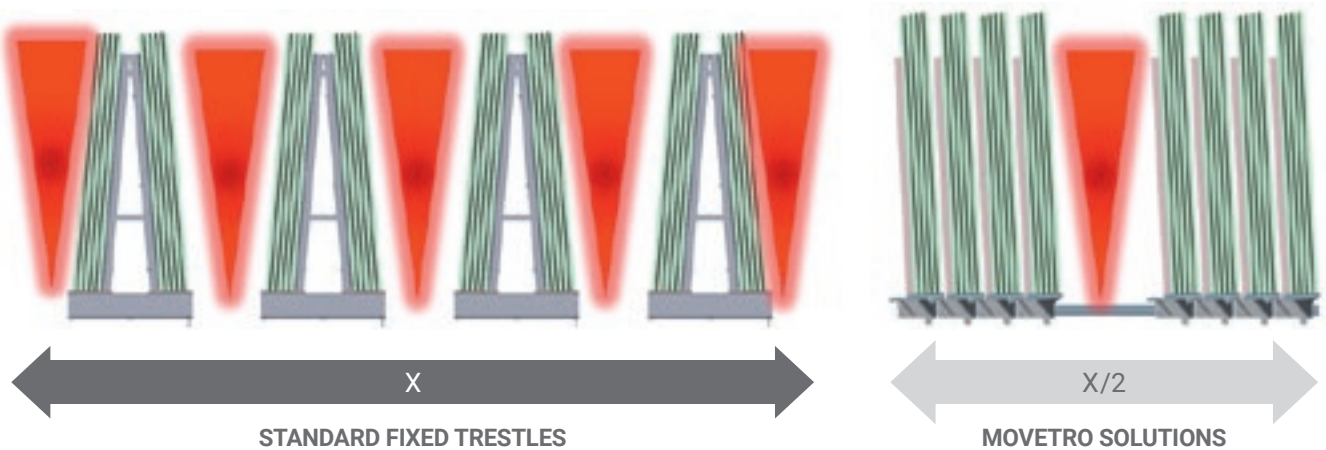
## STORAGE

### SEMI-AUTOMATIC SA-RS

Manual selection of the position and electronic handling with radio remote control.



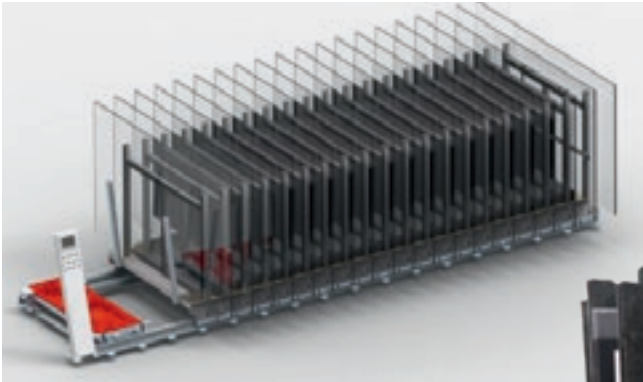
# 50% SPACE REDUCTION



DYNAMIC OPENING ACHIEVES 50% SPACE REDUCTION

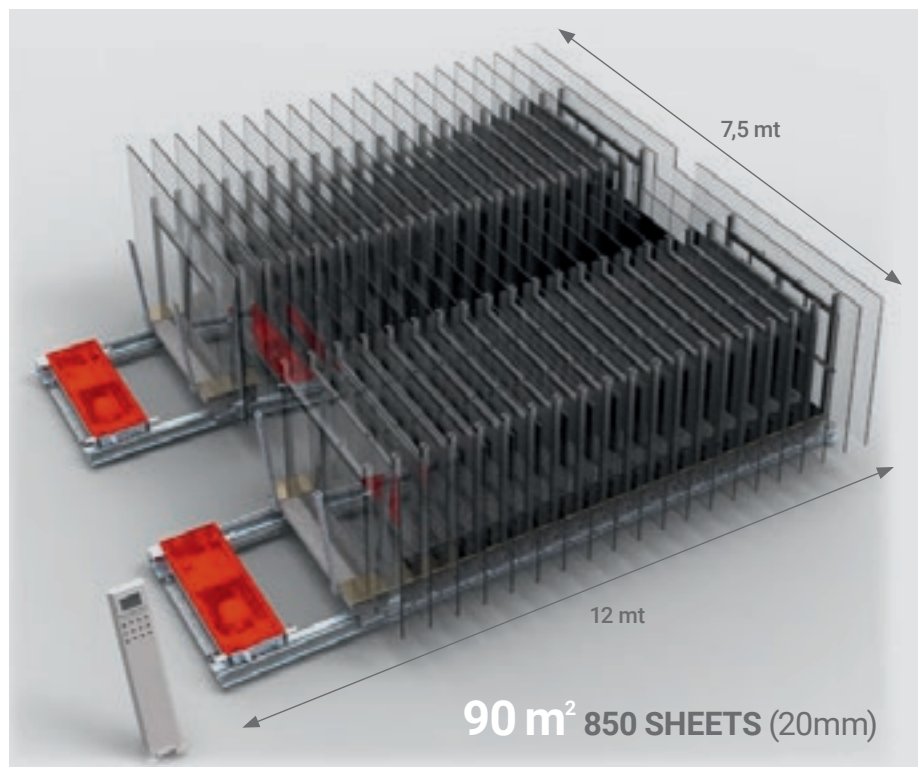
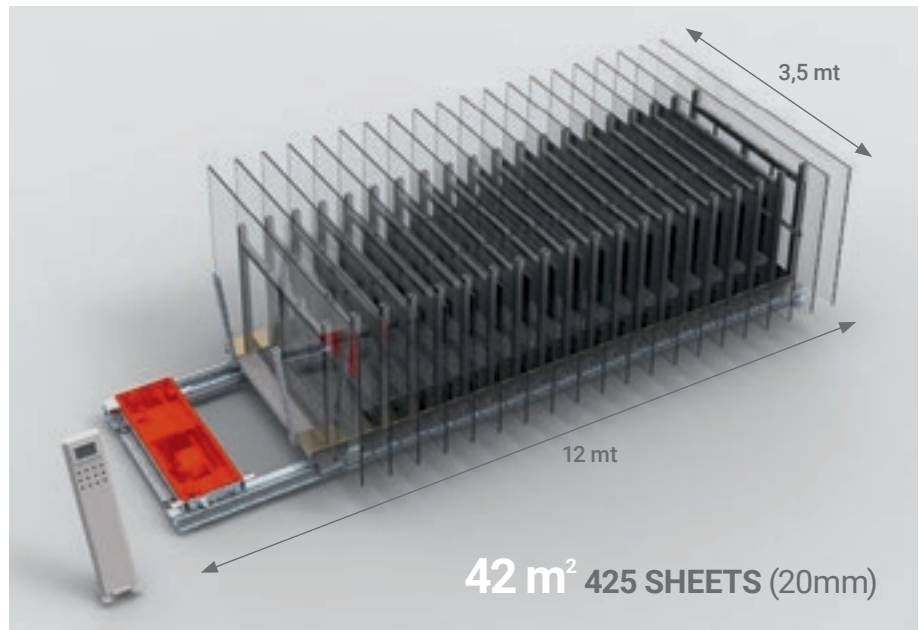
## STORAGE AUTOMATIC A-RS

One touch position change with the touch panel.

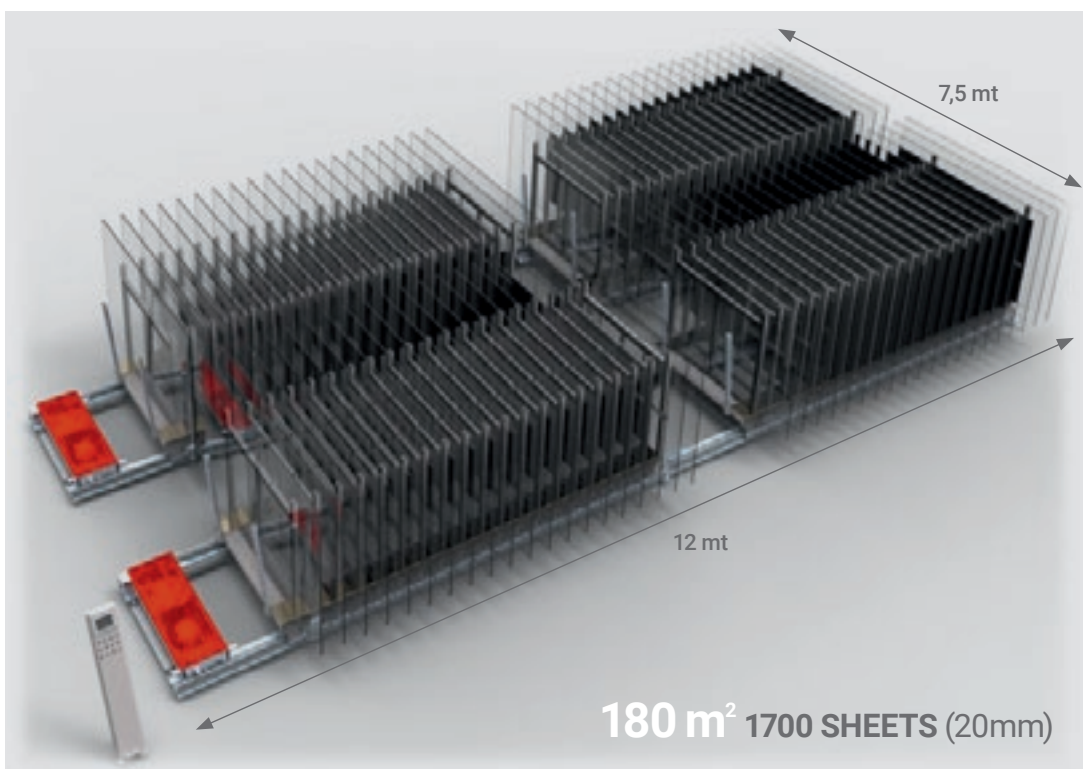
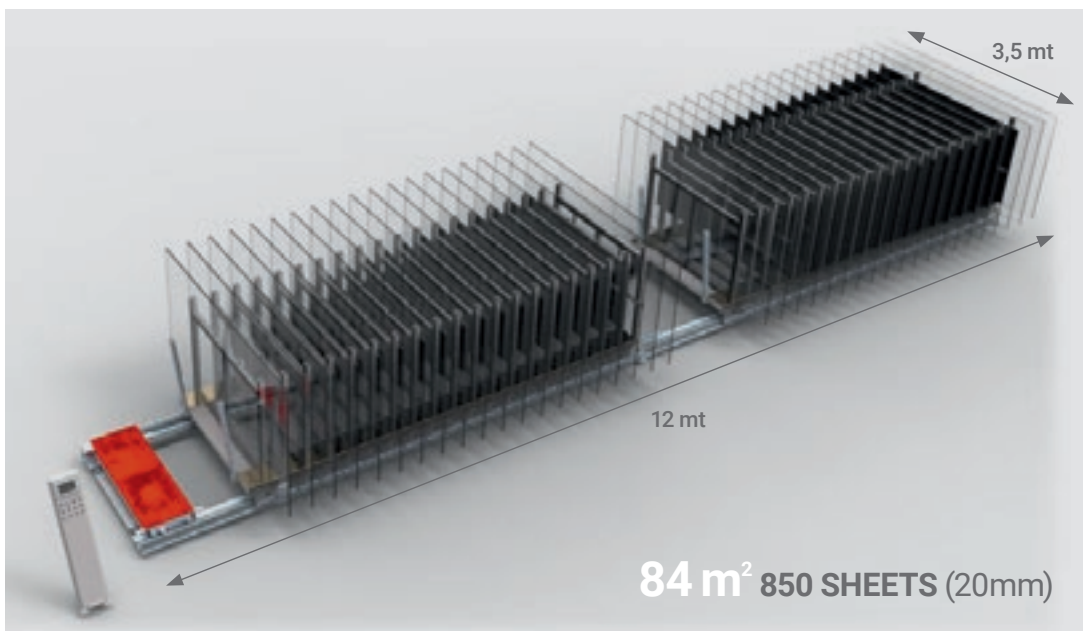


# SPACE OPTIMISED

## STORAGE







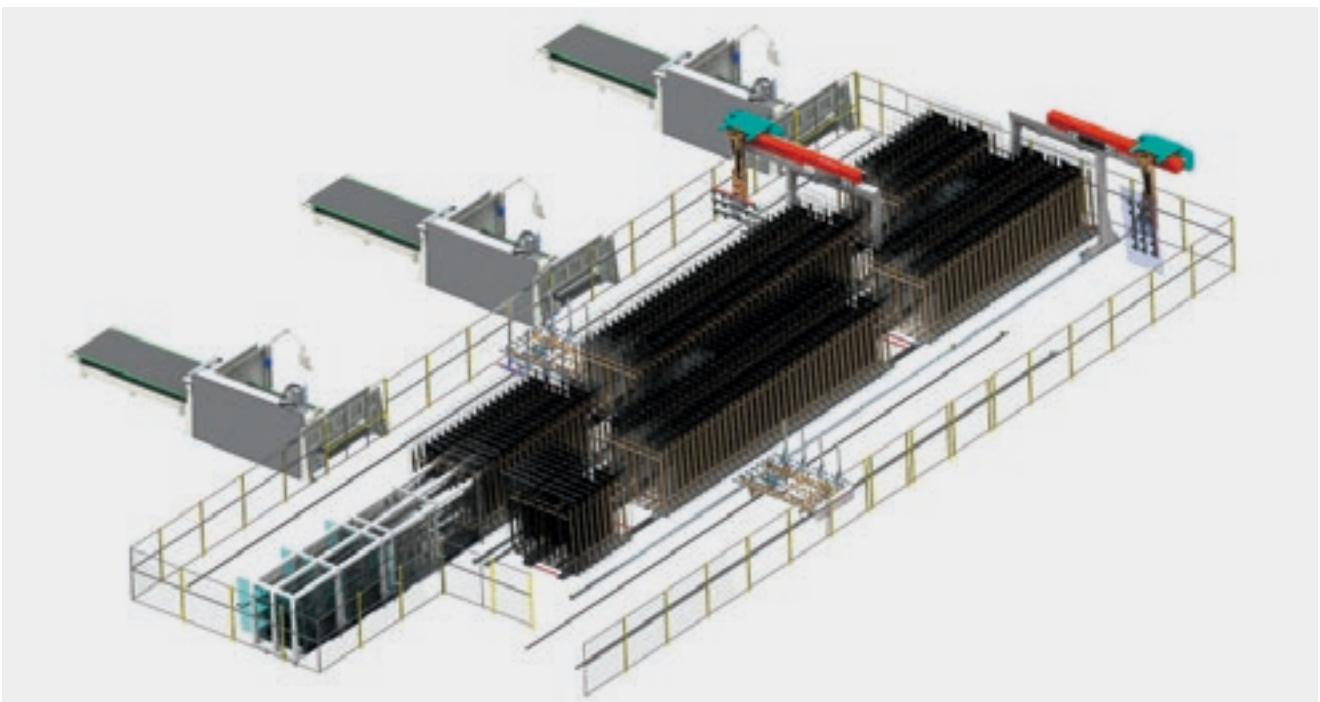
# CONTINUOUS CYCLE PRODUCTIVITY

The Movetro range is not limited to space saving systems but also offers a collection of solutions to feed production lines quickly, safely and effectively.

HANDLING

## DYNAMIC PRODUCTION

Where maximum flexibility is needed, Movetro loaders combined with classifiers are ideal for dynamic production with instantaneous response times.



Waste reduction thanks to the use of dedicated systems for the recovery of partial sheets.



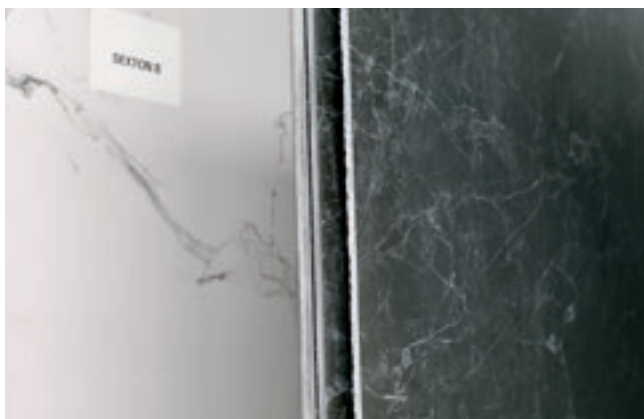
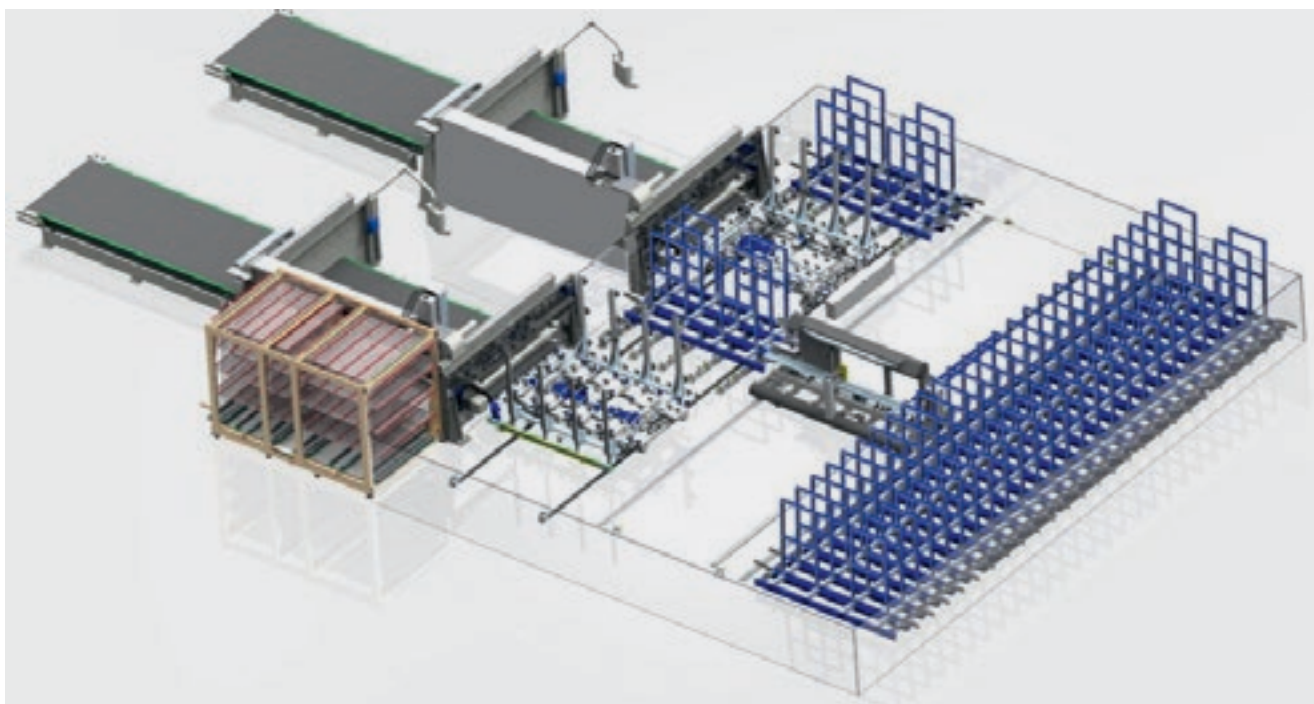
This solution offers advantages in terms of:

- ✔ **CONTINUOUS CYCLE PRODUCTIVITY**
- ✔ **OPTION OF FEEDING MULTIPLE CUTTING LINES SIMULTANEOUSLY**
- ✔ **GREATER SAFETY**

HANDLING

## MASS PRODUCTION

When the main objective is continuous production, Movetro proposes shuttle warehouses capable of elevating cutting lines to their maximum potential.





# CUSTOMISED SYSTEMS AND SOLUTIONS FOR LOGISTICS RELATING TO LARGE FORMAT SHEETS

The experience acquired handling sheets destined for manufacturing lines has grown to encompass the full management of the distribution of whole sheets.



Ultimate automation technology combined with advanced independent robotic islands allows for integrity checks in the preparation of orders for the sale of large sheets.





Vertical sheet loading increases warehouse capacity and reduces the risk of breakage.

Management through WMS supervision software optimises the efficiency of the machines integrating company ERP, where customer orders are received and prepared.



# COMPLETE MANAGEMENT AND CONTROL

THANKS TO THE SUPERVISOR THE STOCK CAN BE CHECKED REMOTELY USING THE SUPERVISION SOFTWARE.

All sheet loading solutions are accompanied by complete supervision software that is able to manage orders autonomously, making full use of the potential and features offered by the system being controlled.

The supervisor is therefore able to check the **Inventory remotely** and **In Real time** as well as allowing for **Customised** data extraction.

The key advantages in terms of response time are:

- OPTION OF RESERVING SPECIAL MATERIALS FOR SPECIFIC ORDERS
- IMPROVED PLANNING OF PURCHASES
- INFORMATION ABOUT PRODUCTION CAPACITY SATURATION
- INCREASED EFFICIENCY FOR OTHER MACHINES (CAPABLE OF BOOSTING THE PERFORMANCE OF THE CUTTING LINES)
- COMPARATIVE ANALYSIS OF THE PRODUCTIVITY OF EACH LINE ON A DAILY BASIS
- WASTE REDUCTION:  
INVENTORY CHECK INCLUDES "SCRAPS"
- TRACEABILITY OF THE PRODUCTS USED
- INTEGRATION WITH THE CUSTOMER'S MANAGEMENT SOFTWARE



# CUSTOMER CARE IS WHO WE ARE

**SERVICES** is a new experience for our customers, to offer not just excellent technology but the added value of an increasingly direct connection with the company, the professionals who work there and the experience they embody.



## ADVANCED DIAGNOSTICS

Digital channels for remote interaction online 24/7. Always ready to intervene on-site seven days a week.



## A WORLDWIDE NETWORK

39 branch offices, over 300 certified agents, retailers in 120 countries, and spare parts warehouses in America, Europe and the Far East.



## SPARE PARTS AVAILABLE IMMEDIATELY

Identification, shipping and delivery of spare parts for every need.



## EVOLVED TRAINING OPPORTUNITIES

Lots of on-site, online and classroom training modules for personalised growth.



## VALUABLE SERVICES

A wide range of services and software packages to help our customers achieve continuous improvements in performance.



## AN EXCELLENT LEVEL OF SERVICE

**+550**

HIGHLY SPECIALISED  
TECHNICIANS AROUND THE  
WORLD, READY TO HELP  
CUSTOMERS WITH EVERY  
NEED

**90%**

OF MACHINE DOWN CASES  
WITH RESPONSE TIME  
UNDER 1 HOUR

**+100**

EXPERTS IN DIRECT  
CONTACT THROUGH  
REMOTE CONNECTIONS  
AND TELESERVICE

**92%**

OF SPARE PARTS ORDERS  
FOR MACHINE DOWNTIME  
PROCESSED WITHIN 24  
HOURS

**+50.000**

ITEMS IN STOCK IN  
THE SPARE PARTS  
WAREHOUSES

**+5.000**

PREVENTIVE  
MAINTENANCE VISITS

**80%**

OF SUPPORT REQUESTS  
SOLVED ONLINE

**96%**

OF SPARE PARTS ORDERS  
DELIVERED IN FULL ON  
TIME

**88%**

OF CASES SOLVED WITH  
THE FIRST ON-SITE VISIT

# MADE WITH BIESSE

## VETROTEC TECHNOLOGICAL INTEGRATION, THE SECRET TO SUCCESS ON THE MARKET

Founded in Pesaro over 40 years ago, Vetrotec is a large company that has accrued decades worth of skill and experience and has built a vast portfolio of products, exploring every shape and level of complexity, from glass doors, shelves and sinks to furnishings such as tables, mirrors and desks designed for major international designer brands.

"I believe Intermac was the first company to invent the ultimate machining centre. For us, Master was the hub of the real innovation in glass machining, revolutionising the way we work" says Davide Broccoli, Key Account Manager..

"We now have six Master machining centres, a Vertmax vertical machining centre and a waterjet machining centre. What's more, we can carry out flat edge machining operations with our Busetti machining centres and double edgers, in particular with the innovative Radius Revolution double-edging grinding system that produces an impeccable fi-

nish without resorting to manual work or other machines." Together with Vetrotec, Intermac has created integrated lines for these technologies: a specific example is the integration of Movetro systems for handling ceramic sheets with the Genius Intermac cutting table, which reduces the time it takes to cut the ceramic sheets and the storage space they require.

"The best way to ensure success on the market is to aim for integrated, efficient lines, which is why Intermac's decision to work toward integration isn't just a winning choice - it's something more. "The quality of Intermac technology and the right dose of skill and know-how are the key to achieving a winning finished product", Broccoli continued.

Collaboration with Intermac, which has been ongoing for over thirty years, is based on continuously selecting a supplier that stands out for extensive experience, optimised and integrated machines and patented high-tech solutions.

In addition, "I believe having a software house that operates internally offers enormous added value because it provides a complete perspective of the advantages and opportunities that the software offers to fully meet the customer's needs", stated Broccoli.

"Intermac is, no doubt, one of the most valid partners we have ever had in terms of dedication and prompt service, as well as for the quality of the customer-supplier relationship: deciding to buy a machine is not a one-off event, for us it amounts to a long-term marriage and, in my estimation, Intermac fully meets all the needs that arise over the period after the purchase", Broccoli stated in closing.

Founded in Italy,  
international native.

We are an international company that manufactures integrated lines and machines to process wood, glass, stone, plastic and composite materials and what will come next.

Thanks to our rooted competence nurtured by an ever-growing worldwide network, we support your business evolution – empowering your imagination.

**Master of materials, since 1969.**

We simplify your  
manufacturing  
process to  
make the  
potential of any  
material shine.



Join the  
Biesse world.

[biesse.com](https://www.biesse.com)



