

Centurion Disabled Pan



WELS REG#
P Trap: L06697
S Trap: L06698



Scan QR code
to view our
installation notes



PCD



N.B. All Britex disabled and ambulant toilet pans are supplied with our Vandal Resistant Closed Front Toilet Seat (black colour unless otherwise specified) to comply with AS1428 Disability Code.

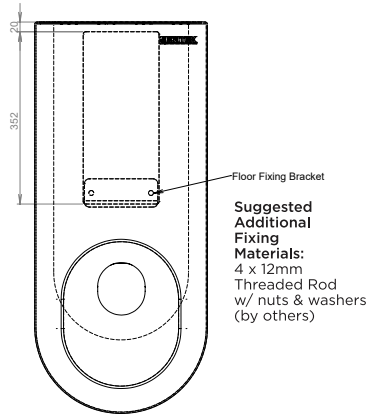
Product Info:

- Conforms to requirements of AS1428:2009
- Highly vandal resistant
- Safety radius front edge
- Left and right hand access panels
- 4.5/3 & 6/3 litre flush compatible
- Available with added seat (see pg 60 for options)
- Available with Backrest as required by AS1428 (see pg 61)

To order this item please advise:

- PCDP = P Trap model
- PCDS = S Trap model

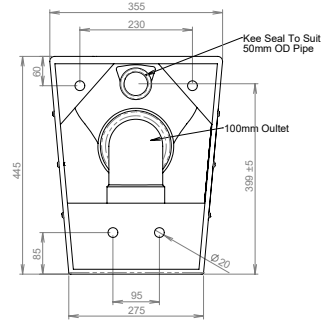
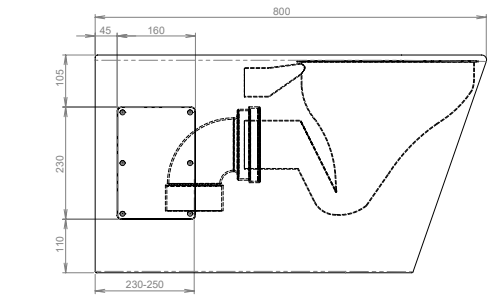
NB: Seat is supplied to conform to Disability Code. Colour to be nominated. Please refer to pg 60 for seat details.



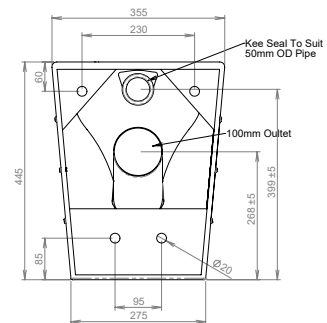
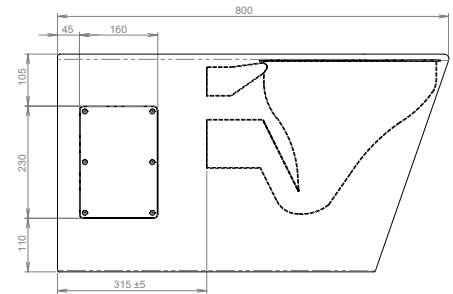
INSTALLATION NOTES

Before installing, consult current installation setout requirements for AS1428.

- 1) Pan is anchored to floor with an offset bracket (supplied).
- 2) Pan is secured to rear wall via 4 fixing holes integral to pan body.
- 3) Suggested fixings required for fixing to wall are 4pcs of 12mm dia. threaded rods with nuts and washers (not supplied).
- 4) Concealed fixings can be accessed by removing panels on sides of toilet pan.
- 5) Access panel screws are hex head type only.
- 6) Pan is supplied standard with concealed rear inlet to suit in-wall flushing mechanisms.
- 7) Pan should be sealed around perimeter after installation completed.



S TRAP



P TRAP



Due to ongoing research and our commitment to product development, details are subject to change without notice. Details accurate at time of print

Please refer to britex.com.au for the most current product information. Allow +/- 5mm tolerance for dimensions and setouts shown in product literature.