

Technical sheet :

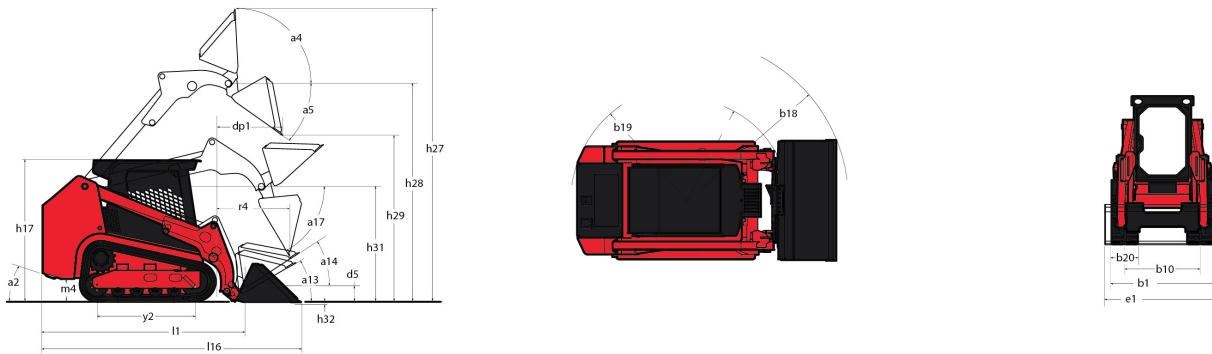
# **2500 RT NXT:3**

---



Capacities		Metric
Max. capacity	Q	3240 kg
Operating Weight		5203 kg
Operating Capacity at 35% Tipping Load		1134 kg
Operating Capacity At 50% Tipping Load		1620 kg
Tipping capacity		3240 kg
Weight and dimensions		
Overall Operating Height - Fully Raised	h27	4267 mm
Height to Hinge Pin - Fully Raised	h28	3251 mm
Reach - Fully Raised	dp1	876 mm
Dump angle at full height	a5	41 °
Dump Height - Fully Raised	h29	2489 mm
Maximum Rollback Angle - Fully Raised	a4	102.5 °
Overall Height to Top of ROPS	h17	2111 mm
Overall length with bucket	l16	4008 mm
Overall Length without Bucket	l1	3221 mm
Specified Height	h31	1720 mm
Reach at Specified Height	r4	795 mm
Dump angle at specified height	a17	75 °
Maximum Rollback Angle at Ground	a13	30 °
Carry Position	d5	208 mm
Maximum Rollback Angle at Carry Position	a14	31.6 °
Digging Position	h32	13 mm
Angle of Departure with STD Counterweight		25 °
Ground clearance	m4	335 mm
Track gauge	b10	1313 mm
Track Shoe Width	b20	450 mm
Crawler base	y2	1562 mm
Overall width less bucket	b1	1765 mm
Bucket Width	e1	2131 mm
Clearance Radius - Front with Bucket		2499 mm
Clearance Circle - Rear	wa1	1796 mm
Maximum rollback at specified height		66.8 °
Angle of Approach		90 °
Grouser Height		25 mm
Track Type / Track Rollers / Roller Type		Rubber / 5 / Steel
Performances		
Ground Speed - Single Speed		9.3 km/h
Ground Speed - Two Speed		13.2 km/h
Drawbar Pull/Tractive Effort		5792 kg
Bucket Breakout - Tilt Cylinder		3803 kg
Bucket Breakout - Lift Cylinder		3373 kg
Engine		
Engine brand		Deutz
Engine model		TD 3.6
Motor Type		Axial Piston with Planetary Gear Box Reduction
Gross Power (kW) / Gross Power		55.4 kW / 2300 rpm
Net Power (kW) / Net Power		52.7 kW / 2300 rpm
Battery		12 V
Cold Cranking Amps at Temperature (CCA)		950 A
Alternator - Voltage / Ampere		14 V / 95 A
Hydraulics		
Standard flow - Auxiliary hydraulics		94.3 l/min
Tank capacities		
Oil Pan Capacity		8.50 l
Hydraulic tank capacity		52.20 l
Fuel tank		91 l
Coolant system capacity		19.30 l
Displacement / Number of cylinders		3.60 l / 4
Miscellaneous		
Ground Pressure		0 Bar

## Dimensional drawing



## Equipment

<b>Lifting function</b>	
All-Tach® Attachment Mounting System	Standard
Auxiliary Hydraulics	Standard
Electronic Attachment Control - 14-Pin Connector	Optional
High-Flow Auxiliary Hydraulics	Optional
IdealTrax™ Automatic Track Tensioning System	Standard
Power-A-Tach® Attachment Mounting System	Optional
<b>Motorization/Power</b>	
Combination Radiator & Hydraulic Oil Cooler	Standard
Dual-Element Air Cleaner with Indicator	Standard
Engine Auto-Shutdown System	Standard
Glowplugs Starts Assist	Standard
Two-Speed Hydrostatic Drive System	Standard
<b>Operator station</b>	
Air suspension seat	Optional
Full-Suspension Seat	Standard
IdealAccess™ Fold-Up Door	Optional
Multi-Function Display Screen	Standard
Pressurized Cab Enclosure with A/C	Optional
ROPS/FOPS Level II Overhead Guard	Standard
<b>Other options</b>	
Selectable Self-Leveling Hydraulic Lift Action 4	Optional
<b>Pneumatics</b>	
Single Flange Front/Dual Flange Rear Idlers	Standard
<b>Safety</b>	
Anti-Vandalism Lock Provisions	Standard
Back-Up Alarm	Standard
Easy Manager	Standard
Engine Alert System with Error Display	Standard
<b>Secondary functions</b>	
Counterweight	Standard



Siège Social  
430 rue de l'Aubinière - 44150 Ancenis Cedex - France  
Tel: +33(0)2 40 09 10 11 - Fax: +33 (0)2 40 09 10 97  
[www.manitou.com](http://www.manitou.com)



This brochure describes versions and configuration options for Manitou products which may be fitted with different equipment. The equipment described in this brochure may be standard, optional or not available depending on version. Manitou reserves the right to change the specifications shown and described at any time and without prior warning. The manufacturer is not liable for the specifications given. For more information, contact your Manitou dealer. Non-contractual document. Product descriptions may differ from actual products. List of specifications is not comprehensive. The logos and visual identity of the company are the property of Manitou and may not be used without authorisation. All rights reserved. The photos and diagrams contained in this brochure are provided for information only.

MANITOU BF SA - Limited company with board of directors - Share capital: 39,668,399 euros - 857 802 508  
RCS Nantes