



E-Plex 1500

Standalone pushbutton lock

The E-Plex 1500 Series electronic deadbolt eliminates the problems and costs associated with issuing, controlling and collecting keys. The lock's telephony style keypad and simple programming options provide convenient, cost efficient and durable access control.

The E-Plex 1500 provides exterior access by PIN code with the deadbolt being projected and retracted by thumb turn. This small, sleek electronic pushbutton lock easily installs or retrofits existing deadbolts. Locks are powered by three AA batteries that allow for continuous operation of up to 100,000 cycles.

Advantages at a glance:

- 100 users
- 1000 event audit trail
- Simple keypad programming & optional software
- Multiple operating modes; PIN, Passage and Lockout
- Battery powered with up to 100,000 cycles from 3 AA's
- Easy installation and retrofit of existing deadbolts.
- Mechanical 25mm throw deadbolt.
- Key override cylinder with anti-bump.

Specifications

Features

User Parameters	Code length—adjustable to accept 4 to 8 digits Anti-tamper lockout—adjustable from 3 to 9 invalid attempts with an adjustable period of 0 to 90 seconds Re-lock time—adjustable from 2 to 20 seconds
-----------------	--

Mechanical Features

Construction	Heavy duty lockset designed and tested to meet the US standard of BHMA Grade 2 specifications, solid brass cast exterior housing with deadbolt, metal pushbuttons
--------------	---

Numeric Keypad	Vandalism and attack resistant, metal pushbuttons
----------------	---

Power	Three AA alkaline batteries
-------	-----------------------------

Backset	Adjustable 60 mm or 70 mm
---------	---------------------------

Minimum Stile	102mm
---------------	-------

Weight	1.36kg
--------	--------

Installation

Ease of Installation	No wiring to or through the door—no risk of pinched wires. Installs in minutes; only one screw hole is needed
----------------------	---

Door Preparation	Cylindrical lock preparation - Easily installs on doors with a 54mm primary hole and an additional 12.5mm through bore hole; wood or metal doors
------------------	--

Door Thickness	35 mm – 50 mm
----------------	---------------

Items Supplied Include	Lock assembly, installation manual, template, quick reference guide, operations manual, and required hardware
------------------------	---

Durability	Designed and tested to meet the US standard of BHMA Grade 2 specifications; meets requirements of ANSI A156.25 for dust, rain, humidity, and salt spray corrosion tests
------------	---

Environmental	Indoor/outdoor approved; -35°C to 66°C
---------------	--

Warranty

Warranty	Two-year warranty from date of installation; built-in warranty counter in memory
----------	--

Finishes

Available Finishes	Satin chrome housing and levers (standard) Special order options: bright brass or dark bronze
--------------------	--



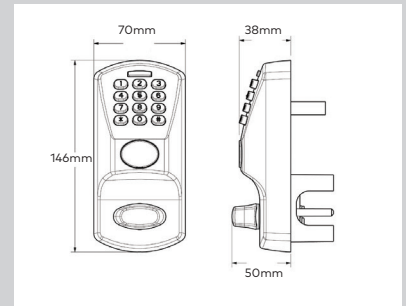
Satin Chrome



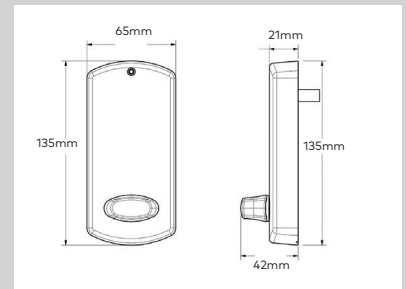
Bright Brass



Dark Bronze



E1500 Exterior



E1500 Interior

dormakaba Australia
Head Office
46-52 Abbott Road
Hallam VIC 3803
T: 1800 675 411
info.au@dormakaba.com
www.dormakaba.com.au

dormakaba New Zealand
Head Office
Building P, 61-69 Patiki Road
Avondale, Auckland 1026
T: 0800 436 762
info.nz@dormakaba.com
www.dormakaba.co.nz