



POWERREX SL25TF 2 post 5 ton clear floor lift



Feature

- Compatible to handle heavy vehicles with extended height and width
- Dual packing hydraulic cylinders for ultimate power & stability
- Engineering plastic carriage guide
- 3 different height adjustment of rubber supporting pad
- Dual wire structure makes perfect synchronization
- Automatic arm locking device
- Automatic Electrical Locking System
- Cable remote control included

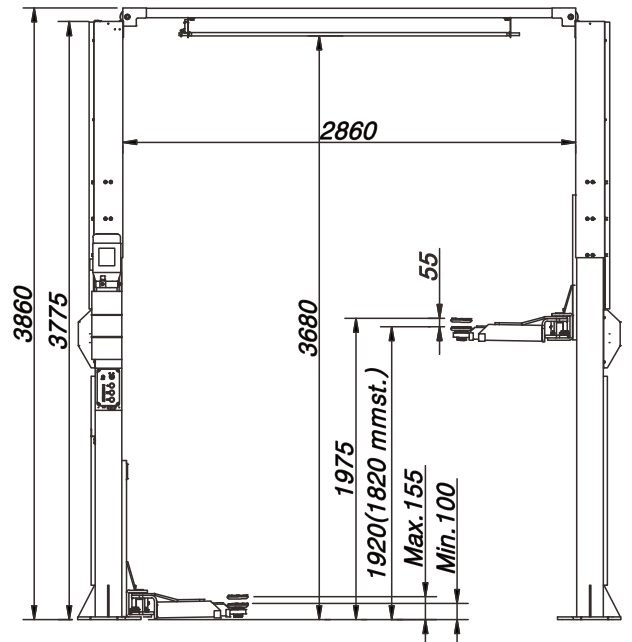
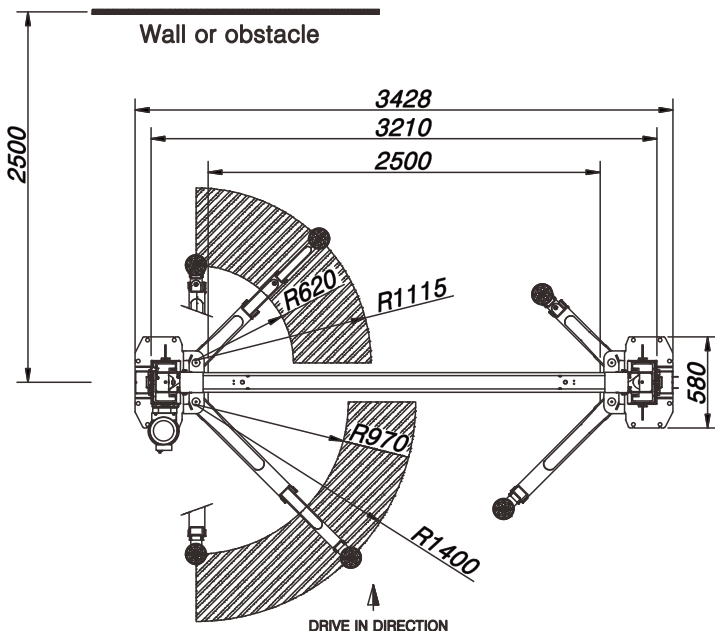
Optional 4WD adaptors



Specification

Max(Capacity)	5,000kg		
Max. Height	1,920mm~1,975 mm		
Lowest Height	100~155 mm		
Size(mm)	3,860(H)x2,860(L)x3,428(W)		
Lifting Time	around 35 seconds		
Lowering Time	around 45 seconds		
Power & Motor	Optional	Single	2.5HPx4Px220Vx60Hz
	Standard	3phase	2HPx5Px380Vx60Hz 2HPx4Px220Vx60Hz
Operation Method	Control panel and/or wired remote control type.		

Dimension



INTEREQUIP
INTEREQUIP PTY LTD.

www.interequip.com.au
E-mail: info@interequip.com.au
TEL: Australia 18000EQUIP (1800 037 847)