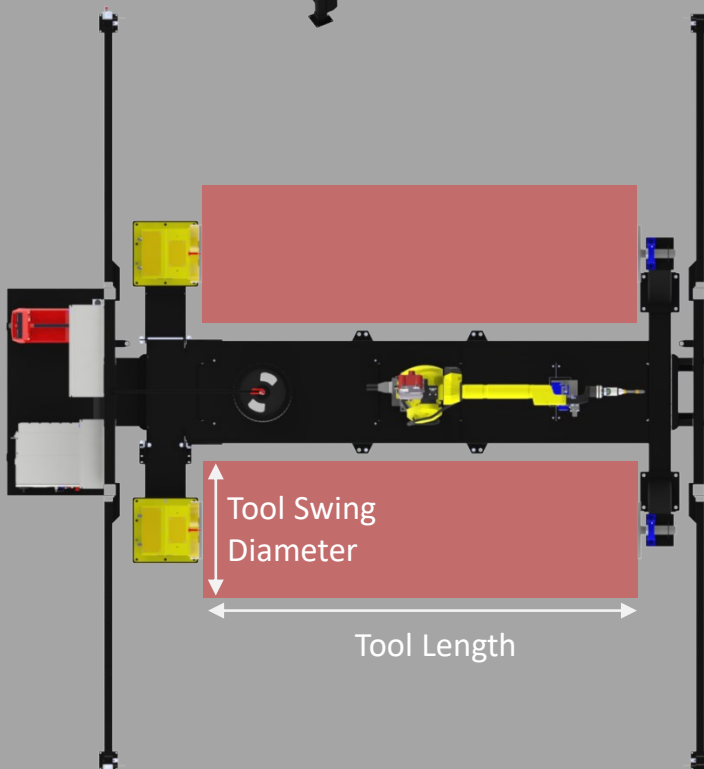
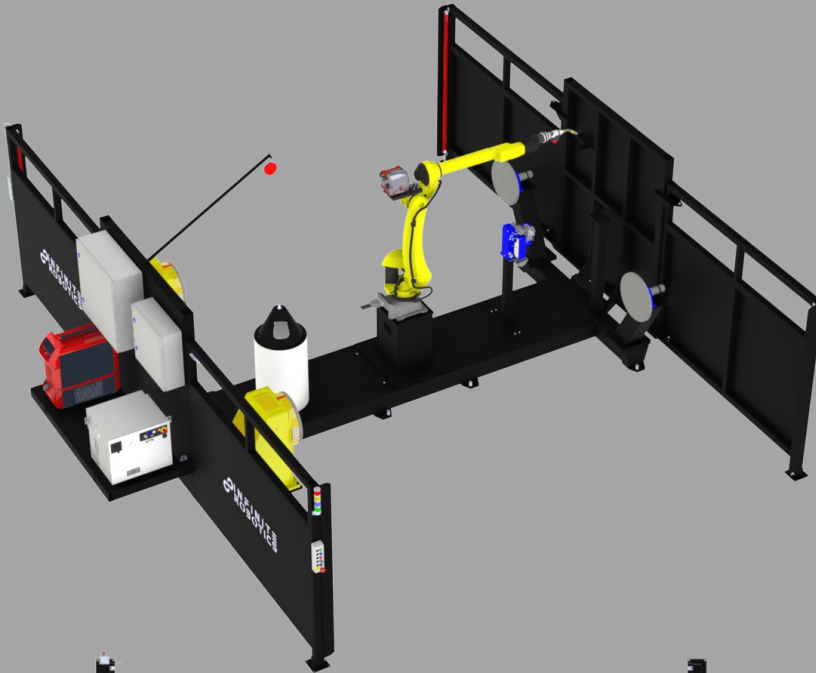


TWO STATION WELDING CELL

Fanuc ArcMate with Fronius Welding Equipment



Key Features:

- Fanuc ArcMate industrial welding robot
- Fronius TPS/i Perfect Weld - Robotic Welding Equipment
- Maximises arc-on time
- Pre-engineered, proven design
- Installation, commissioning and onsite training

Standard Specifications:

- Headstock Payload: 500/1000/2000kg
- Tool Length: 2400/3000/3800mm
- Tool Swing Diameter: 1200/1500mm
- Welding Process: GMAW, MCAW, FCAW, GTAW
- Fronius TPS 500i water cooled multi process welding power source