

Upholstery Color Chart

Relaxis- Microfiber Leather Upholstery

With a special coating layer, it delivers the features of ageing resistance, fade resistance, smooth and delicate touch. Soft elasticity and powerful support for waist and neck.

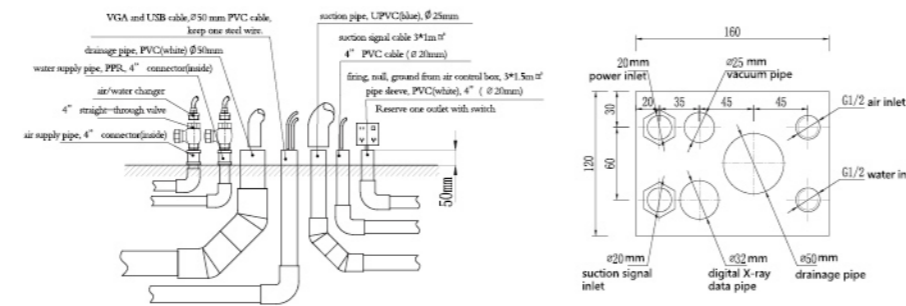
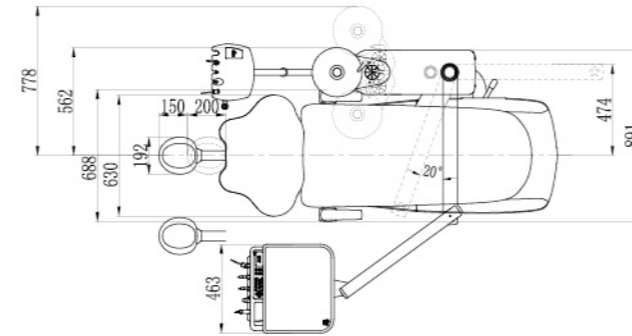
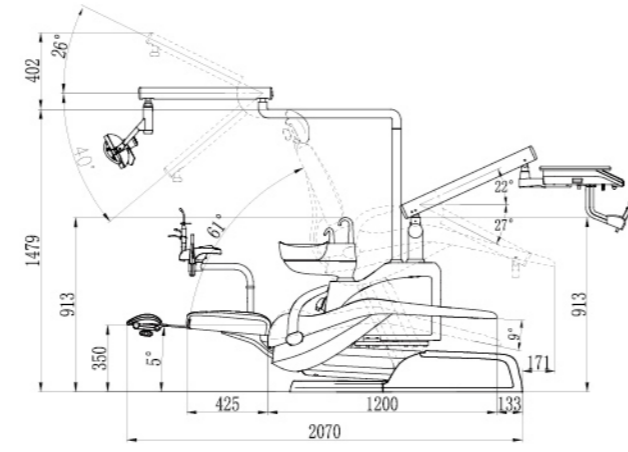


Configuration

Dental Light	Pepple I (LED/Sensor switch)		Assistant Control Panel
Patient Chair	Ergonomic electric Chair	Assistant Unit	1 Triplex
	Relaxis Micro Fiber Upholstery		1 HVE suction hose
	UP-DOWN Swivel Armrest	Side Box	1 SE suction hose
	Safety Switch		Rotatable
Delivery System	Ajax System + (with 3 programmable positions)		Side Box 1300ml Water Bottle
	Soft Start and Stop		Side Box 1500ml Water Bottle
	International Style		Detachable Glass Spittoon
Foot Control	Chair Main Control Panel	Options	Built-in scaler from EMS or Woodpecker
	Master Air/Power/Water Switch		TKD electric motor (as slow speed)
	1 Triplex		22" inch monitor and arm
Service Box	2 High Speed Lines with light		N4 Assistant stool
	1 Air Slow Speed line		Continental delivery system
Dental Stool	FT-6 Multifunctional Foot Pedal		Faro LED light (made in Italy)
	Built-in service box with all plumbings and fittings		Built-in LED curing light
	D3 Dentist stool		Assorted handpieces and couplers

Dimensions

Units : mm



www.ajaxdent.com.au



AJ15 DENTAL UNIT



Ajax Dental Supplies Pty Ltd.



Headquarter ADD: Unit 23 / 21 Merrindale Drive, Croydon South VIC 3136

NSW Branch: Shop 8 / 108 Queens Road, Hurstville NSW 2220

Tel: 03 9879 3801 After sales hotline: 0478 635 358 E-mail: info@ajaxdent.com.au

ABOUT AJAX

Ajax, established in 2007, currently employs 400 professionals, and specializes in the research, development, manufacturing, and sales of medium to high-end dental units. Rooted in the philosophy of "the pursuit of excellence in dental equipment," Ajax boasts an independent R&D team, robust technical expertise, efficient production processes, and rigorous quality control protocols. With an annual production capacity of 15,000 units, Ajax has earned certifications from global authorities such as the U.S. FDA, Japan JIS, and the European Union CE, Australian TGA, making its products available in the United States, Western Europe, and beyond. Serving dentists in over 80 countries, Ajax offers a "rapid response, mission will be achieved" after-sales concept, providing peace of mind to doctors and distributors alike. It has become the trusted global choice of over 100,000 users.



Reliable quality

Ninety percent of the dental chair components are designed and produced in-house at Ajax, ensuring stringent quality control throughout every step of the process.

Continuous Innovation

Ajax maintains a robust R&D team of 60 experts who stay at the forefront of industry trends and prioritize independent research and development.

Quick Response

We listen carefully to our customers' needs and proactively enhance our products and services to meet those demands promptly.

Quality Service

We provide a 2-year warranty and offer professional solutions for clinics through our global service network, ensuring swift delivery of chair parts.

STRONG | STYLE | HYGIENIC



AJ15



Strengthened Heavy-Duty Ergonomic Chair Frame

With a load-bearing capacity of 180kg and a metal chair frame, AJ15 ensures stability during treatments.



Patient Chair

Ergonomic Steel Backrest

Adjustable height and a wide butterfly backrest design provide ample legroom and ergonomic support, reducing the risk of occupational diseases.



Wide Backrest

Ensuring a comfortable dental experience for patients.



Ergonomic Chair

Designed to eliminate static friction when adjusting the chair position, ensuring patient comfort.

1° Trendelenburg position



Suitable For Any Height

Adjustable from 330mm to 800mm, accommodating team members of all heights.

Upholstery



Featuring Relaxis-Microfiber Leather

Featuring Relaxis-Microfiber Leather, known for its aging resistance, fade resistance, seamless finish, and a smooth and soft touch.

Durable Powder Coated Surface



Corrosion-resistant, anti-aging, and anti-brittleness properties.



Knob Style Double Articulating Headrest (Flatter Knob)

Features an articulating dual-axis headrest with adjustable height for added patient comfort.

Soft Start and Stop, Smooth Adjustment

Provides a gentle and flexible start and stop, with an ergonomic chair motion that enhances patient comfort.



Vertical Forward-Turning Armrest

Optimizes patient access and minimizes interference with doctors during treatments.



Dentist Unit

3 programmable positions

The doctor and assistant control panels offer efficiency in operation.



High-quality materials

Corrosion-resistant and capable of withstanding high-frequency sterilization.



Rotatable Doctor's Tray

Offers greater operating space.



Continental Delivery System(Optional)

Features an omni-directional rod that extends the operating space and provides a fatigue-free experience during continuous operation.



Strong Elastic Rod

Provides a lightweight and less fatiguing experience during continuous operation.

AJ15



Pebble I LED Light

Intensity control and super bright illumination offers you a clear vision.

- White Light
- The Highest brightness:30000 Lux
- The Highest Color Temperature:5000k
- Stepless adjustment of intensity

Water Unit



Cast Aluminum Frame

Lightweight, rigid, and stable.



Spin-on Filter

Easy to disassemble and clean, located outside the water unit for convenience.



1.3L and 1.5L Disinfectant/Water Bottles

Separate bottles for purified and sterilized water, ensuring ease of use.



Polymer Materials

Resistant to wear and tear even with frequent surface wiping and disinfection.



Rotatable Glass Cuspidor

The 135° rotatable glass spittoon bowl is disassemblable for high-temperature and high-pressure sterilization.



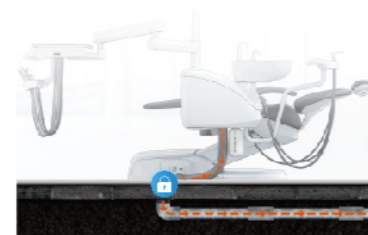
Multifunctional Foot Pedal

Controls water and air independently, as well as handpiece working modes, chair position adjustments, spittoon rinsing, cup water supply, and oral light switching.



High-efficient Four-hand Operation

Full-featured doctor and assistant control panels enable efficient four-handed medical care, with a rotatable side box for additional assistant workspace.



Sealed Drainage Device

Eliminates odors, re-infiltration, and bacterial infection.

Rotatable Side Box

Provides more space for easy operation.

Assistant Unit



Double Joint Assitant Unit with Control Panel

Enhanced efficiency with a control pad offering multiple functions.



Ultra-light Handle

Improved air tightness for stronger and more stable suction.



D3 Doctor Stool

Features a caster frame made from precision aluminum alloy casting parts, offering strength and durability.

Offers four functions, including chair lift, backrest lift, and tilt adjustment.

Wide seat lift range: 450mm-600mm.



N4 Assistant Stool (Optional)