



Type 3500/3600

High Pressure Regulator

Accurate and reliable first cut pressure regulator in brass or 316 stainless steel



The Type 3500/3600 provides a low cost, dependable regulator to reduce inlet pressures from as high as 6000 psig (413 BAR) down to working pressures ranging between 0 and 225 psig (15.5 BAR). The Type 3500 is constructed of brass and the Type 3600 is constructed of 316 stainless steel. This first-cut regulator is available in five separate spring ranges. These versatile devices can be used as pilot supply where a high-pressure operating valve must be controlled by a gas regulator pilot. The Type 3500 is designed for use with noncorrosive gases. The Type 3600 is designed to meet NACE MR-0175 requirements for sour gas.

Features

- **Choice of Five Output Pressures**
0-30 psig (0-2.0 BAR), 0-60 psig (0-4.0 BAR), 0-125 psig (0-8.6 BAR), 0-150 psig (0-10.3 BAR), and 0-225 psig (0-15.5 BAR)
- **Choice of Three Output Ports**
Provides plumbing flexibility for easy hookup
- **Socket Head or Tee Handle Adjustment**
- **Replaceable Valve Seat**
Multi-seat rotating valve block provides up to 4 replacement sealing surfaces
- **High Maximum Inlet Pressure**
Up to 6000 psig (413 BAR) inlet pressure
- **Type 3600 Meets NACE MR-0175 Requirements for Sour Gas Service**
- **Non-Relieving Design**

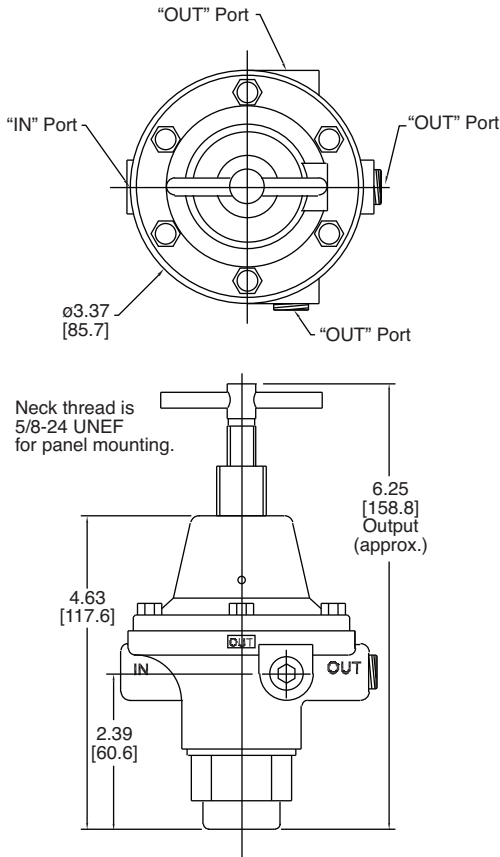
Materials of Construction

	Type 3500	Type 3600
Body, Bonnet, Bottom Plug, Cover	Brass	316 Stainless Steel
Diaphragm	302 Stainless Steel	Monel 400
Seals	Nitrile, TFE	PTFE, Fluorocarbon
Seat	Nylon	PTFE
Supply Nozzle	416 Stainless Steel	316 Stainless Steel
Range Spring	Steel	Stainless Steel



Type 3500/3600 High Pressure Regulator

Dimensions



Specifications

Type 3500/3600

Inlet Port	1/4" NPT
Outlet Ports (3)	1/4" NPT
Output Ranges	0-30 psig (0-2.0 BAR), 0-60 psig (0-4.0 BAR), 0-125 psig (0-8.6 BAR), 0-150 psig (0-10.3 BAR), and 0-225 psig (0-15.5 BAR)
Supply Pressure	6000 psig (413 BAR) Maximum
Cv Value	0.13
Temperature Range	Type 3500: -70° to 225° F (-57° to 107° C) Type 3600: -40° to 225° F (-40° to 107° C)
Weight	3.25 lb (1.5 kg)

Ordering Use this coding system to order

Model

3500

Brass

3600

316 Stainless Steel

Adjustment

B Socket

C Tee

Output Range PSIG (BAR)

A 0-30 (0-2.0)

B 0-60 (0-4.0)

C 0-125 (0-8.6)

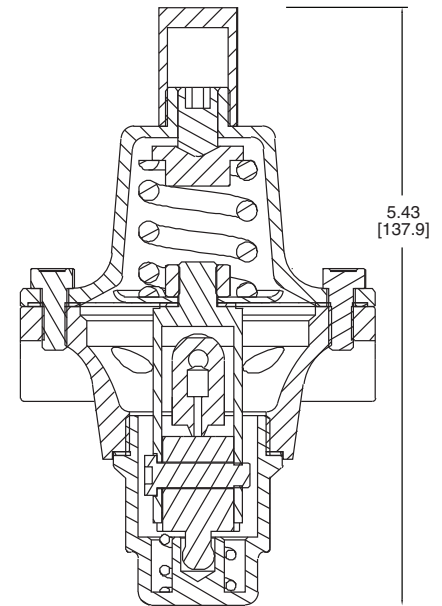
D 0-150 (0-10.3)

E 0-225 (0-15.5)

Flow Capacities of Air (SCFH)

Spring Range	Outlet Pressure Setting		Inlet Pressure, psig (BAR)						
	psig	BAR	100 (6.8)	250 (17)	500 (34)	750 (51)	1000 (69)	1500 (103)	2000 (137)
0-125	25	1.71	290	480	650	750	770	800	820
	50	3.42	400	800	1000	1200	1300	1400	1500
	75	5.14	400	900	1400	1600	1700	1800	1900
0-150	75	5.14	350	800	1300	1500	1600	1700	1800
	150	10.3	-	1000	1800	2300	2600	2800	3000
0-225	150	10.3	-	900	1700	2200	2250	2750	3000
	225	15.4	-	800	2100	2900	3500	4000	4500

Warranty ControlAir, LLC products are warranted to be free from defects in materials and workmanship for a period of eighteen months from the date of sale, provided said products are used according to ControlAir, LLC recommended usages. ControlAir, LLC's liability is limited to the repair, purchase price refund, or replacement in kind, at ControlAir, LLC's sole option, of any products proved defective. ControlAir, LLC reserves the right to discontinue manufacture of any products or change products materials, designs or specifications without notice. Note: ControlAir does not assume responsibility for the selection, use, or maintenance of any product. Responsibility for the proper selection, use, and maintenance of any ControlAir product remains solely with the purchaser and end user. Drawing downloads available at www.controlair.com



8 Columbia Drive / Amherst, NH 03031 USA / www.controlair.com / sales@controlair.com / 603-886-9400 / FAX 603-889-1844

An ISO 9001:2015 Registered Company

P/N 441-625-052 1/20