

VERTICAL FORM, FILL, SEAL

HMPS PROPAC are Leaders in Vertical Form Fill Seal (VFFS) technology, both within Australia and in the international market.

We design and manufacture a complete range of VFFS machines which are highly reliable, heavy duty and technologically advanced.

All of our packaging machines are supported by a team of factory trained engineers who are customer focused and committed to keeping you producing efficiently.



FILL IT PACK IT WRAP IT

PRODUCT RANGE & SPEED

Extensive compatibility with different product types, from liquids and powders to whole chickens or frozen foods. Runs at up to 200 bags per minute*

*Dependant on Product

PACKAGING MATERIALS

Compatible with the latest recyclable packaging materials and can be adjusted to work with a wide range of bag types.

APPLICATIONS



Snacks



Powders



Dip



Liquids



Salads

...AND MORE

FULL WASHDOWN

Built with stainless steel for superior corrosion resistance, essential for frequent washdowns. This material quality ensures durability, easy maintenance and high standards of hygiene.

PRICING & RENTALS

Purchase starting from \$132k*

Rental from only \$4100* per month

*Dependant on Model
Rental Price based on a 3 year term

WHY CHOOSE US

Award-winning expertise, custom solutions tailored to your specific project and over 40 years of experience. We're committed to providing on-site and 24/7 remote support across Australia and New Zealand to ensure your operations run smoothly. Our market leading approach to automated packaging solutions, from design to delivery, ensures we meet both performance and delivery expectations with a strong focus on customer satisfaction and technical excellence.



www.hmeps.com.au

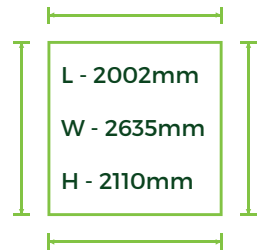
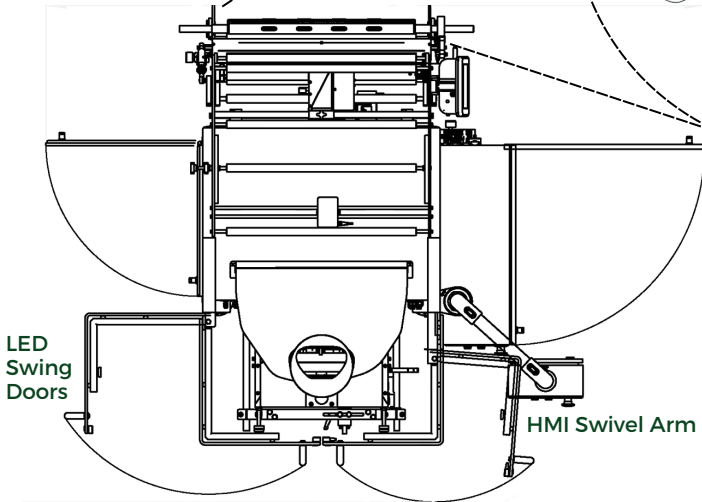
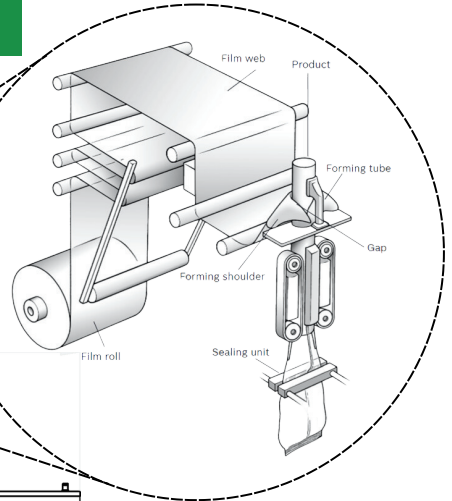
www.propac.com.au

1800 079 727


02 9674 9261

VERTICAL FORM, FILL, SEAL

A CLOSER LOOK



 www.hmps.com.au

 1800 079 727

 www.propac.com.au

 02 9674 9261

