

CALFINN

COMPAC

Air Hydraulic Jacks

Air hydraulic jack designed specifically for lifting agricultural machinery

- Heavy duty 1-stage cylinder with long lifting stroke.
- Maximum height 580 mm without extensions.
- Maximum height 780 mm by utilization of the 3 extensions.
- Standard with extensions: 120, 70 and 10 mm.



Compac Denmark
Established in 1946



A28-HC

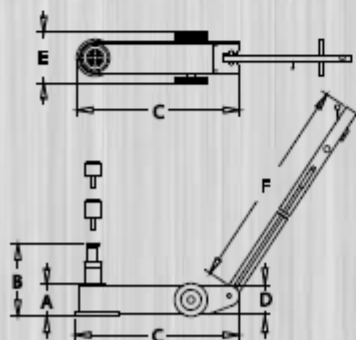


A28-HC

Heavy Vehicle Air Hydraulic Jack



A4020-C



Model	Max (Kg x 1000)	A (mm)	B (mm)	C (mm)	D (mm)	E (mm)	F (mm)	Kg
AH28-HC	28	350	580	735	350	280	1230	58

Model	Max (Ton)	A (mm)	B1 (mm)	B2 (mm)	B3 (mm)	C (mm)	D (mm)	E (mm)	F (mm)	Kg
A4020-C	40/20	150	220	300	-	495	168	310	1230	44