



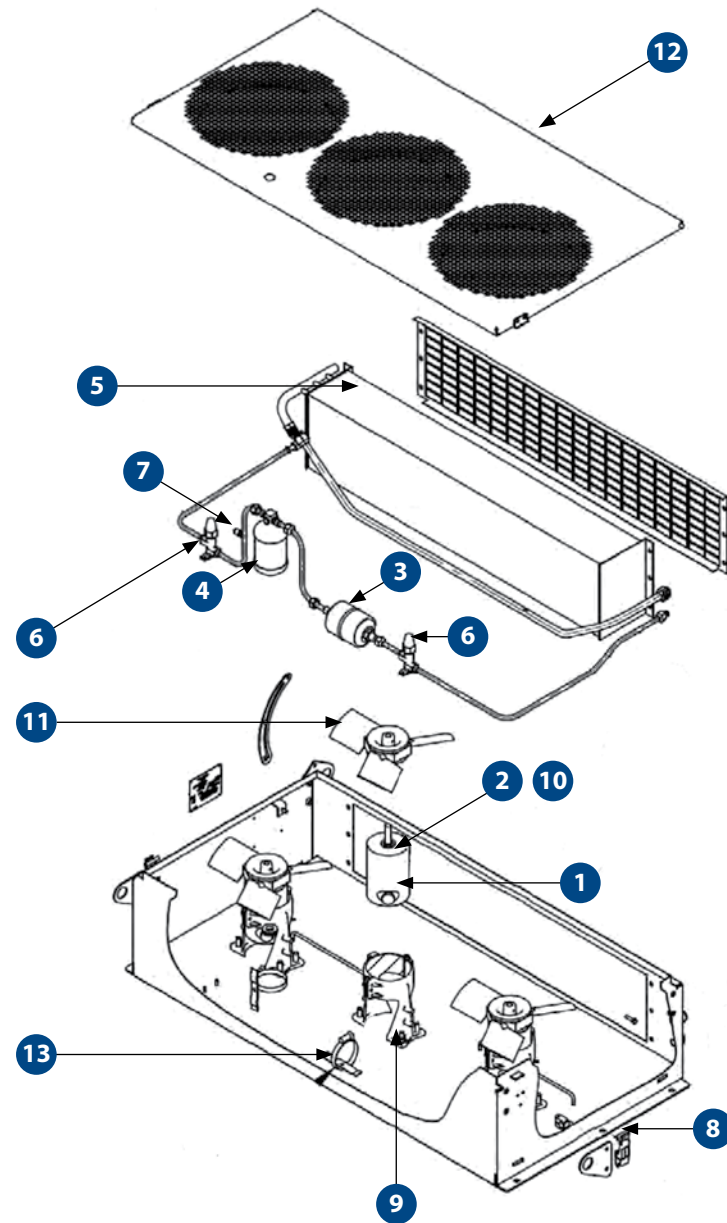
# TCF8

## FLOOR MOUNTED CONDENSER

**TCF8BX1\***  
Floor Mounted Condenser 8kW 24V Hinged Lid

**TCF8BX2**  
Floor Mounted Condenser 8kW 24V Removable Lid

\* HVAC obsolete, spares support only



## SPARE PARTS

PART NO.	DESCRIPTION	QTY
1 AU320622	BRUSH MOTOR 24VDC EACH HEAVY DUTY	6
2 H0039230	MOTOR UE026 WITH UPGRADED BRUSH	3
3 AU531138	DRIER 3/8" MF	1
4 AU531411	RECEIVER DRIER 3/8" 24UNF 165MM HIGH	1
5 AU110009	CONDENSER COIL 946MM X 203MM X 132MM 6RW TCF8	1
6 AU517254	PCAV 3/8" SOLDER	2
7 AU517505	VALVE ACCESS 1/4" 1/8" OD SOLDER	1
8 AU851593	LATCH TOGGLE WITH MANUAL SAFETY LOCK (TCF8BX1) LATCH TOGGLE WITH MANUAL SAFETY LOCK (TCF8 BX2)	2 4
9 UC028	CONDENSER MOTOR MOUNT-SUIT UE025/26	6
10 UE026	MOTOR 0.14W 24VDC S/S	3
11 AU420229	FAN AXIAL 300MM 3 BLADES LB	3
12 AS520725 AS327833	LID ASSEMBLY (TCF8BX1) LID ASSEMBLY (TCF8BX2)	1 1
13 AU553654	CLAMP UTILUX NO 4 SS	2
AS327817	LIQUID LINE - COIL TO VALVE ASSEMBLY	1
AS327818	LIQUID LINE - VALVE TO FILTER ASSEMBLY	1
AS327825	LIQUID LINE - FILTER TO VALVE ASSEMBLY	1
AU523655	HIGH PRESSURE SWITCH 1/4" FF 2415kPa	1

## SPECIFICATIONS

	METRIC	IMPERIAL
<b>Cooling Capacity</b>	8.0 kW	27296 BTU
<b>Fan Speeds</b>	1	1
<b>Air Flow</b>	980 l/s	2077 CFM
<b>Power Supply</b>	24V	24V
<b>Current Draw</b>	30 A	30 A
<b>Refrigerant</b>	R134a	R134a
<b>Maximum Ambient Temperature</b>	54°C	129°F
<b>Weight (nominal)</b>	50.0 Kg	110.0 lbs
<b>Technical Manual Reference</b>	SM278-2715	SM278-2715
<b>Dimension (L X W X H)</b>	1236mm X 600mm X 294 mm	48.7in X 23.6in X 11.6in

## MAINTENANCE

6 MONTHS / 2,400 HOURS

**AU320622** BRUSH MOTOR 24VDC EACH HEAVY DUTY

ANNUAL / 4,800 HOURS

**H0039230** MOTOR UE026 WITH UPGRADED BRUSH

**AU531138** DRIER 3/8" MF

**AU531411** RECEIVER DRIER 3/8" 24UNF165MM HIGH

3 YEARS / 14,400 HOURS

**AU523655** HIGH PRESSURE SWITCH 1/4" FF 2415kPa

Please contact SIGMA for more information including details on an overhaul scope and interval. Maintenance periods and scope are dependent on application and site conditions, and are to be used as a guide.

## COMPANION ITEMS

PART NO.	DESCRIPTION
<b>TFC8BX1</b>	8kW Evaporator Unit 24VDC
<b>TFC8BX2</b>	8kW Evaporator Unit 24VDC C/W 415 Heating
<b>EB9P4X</b>	Pressuriser
<b>H0017489</b>	Hydraulic Compressor
<b>H0017493</b>	Hydraulic Compressor
<b>AU260203</b>	Compressor 3Ph
<b>H0193262</b>	Brushless Fan Assembly Kit