

Y497AU  
1020



# MERLO ATTACHMENTS

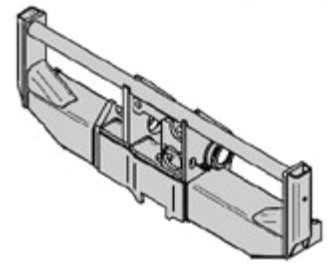
AU VERSION



# Merlo carriages

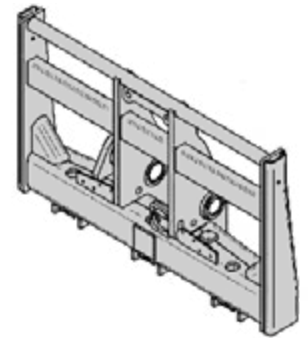
## ZM2 carriage

CARRIAGE MODEL	WIDTH (mm)	HEIGHT (mm)	MAX. CAPACITY (kg)
ZM2	1190	381	2500/4500



## ZM3 - ZM3 3TL\* carriage

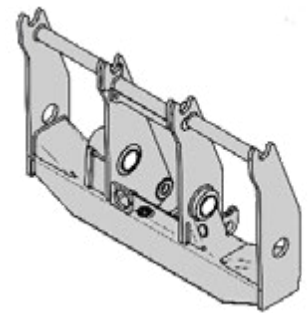
CARRIAGE MODEL	WIDTH (mm)	HEIGHT (mm)	MAX. CAPACITY (kg)
ZM3	1190	706	4500/7500
ZM3 3TL	1190	706	4500/7500



\*Triple Tac-Lock

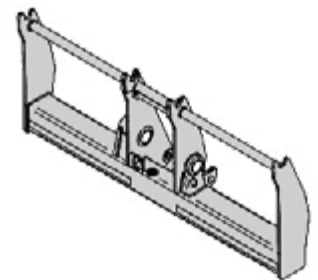
## ZM4 carriage

CARRIAGE MODEL	WIDTH (mm)	HEIGHT (mm)	MAX. CAPACITY (kg)
ZM4	1360	948	8000/12000



## ZM4 XL carriage

CARRIAGE MODEL	WIDTH (mm)	HEIGHT (mm)	MAX. CAPACITY (kg)
ZM4 XL	2315	948	8000/12000



# Tac-lock

Tac-Lock: hydraulic attachment clamping system from the cab



Standard Tac-lock



Triple Tac-Lock



ZM4 Tac-Lock

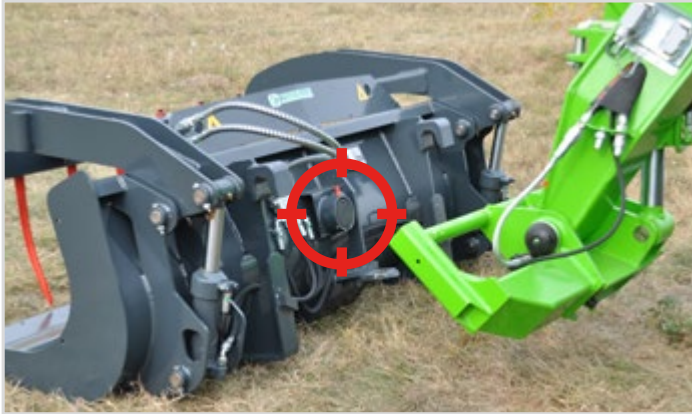


# Merlo precision and technology

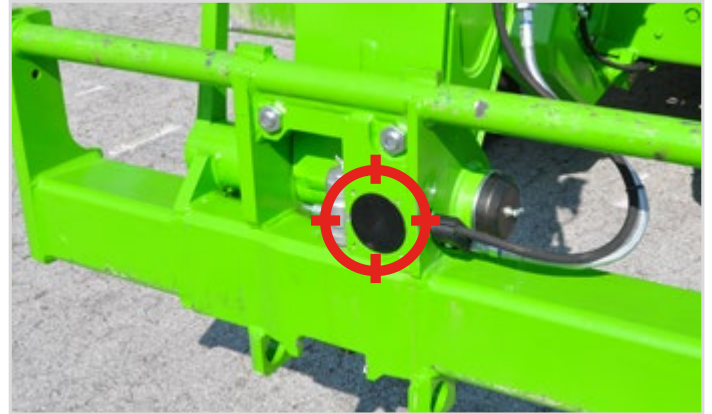
## Dynamic load control

For the Merlo Group, safety is an absolute value: this is why the exclusive new generation Merlo C.D.C. (Dynamic Load Control) system has been designed. The purpose of this technology is to allow the operator to work in total safety, making the most of the telescopic handler's potential and the attachment used.

### Automatic recognition of the attachment



Sensor on the attachment



Sensor on the carriage

### The Merlo CDC system allows the telehandler:

- to recognise the mounted attachment by automatically calibrating the vehicle's behaviour and reaction parameters. Thanks to specific load diagrams, the Merlo CDC system is therefore able to maximise machine stability and adapt boom movements to the specific working situation;
- to analyse the values received from the load sensor, by determining, in real time, the actual capacity of the machine.

The operator can check the dynamic balance of the machine at any time, thanks to the traffic light on the front upright. In the case of manoeuvres that could jeopardise the stability of the telehandler, the Merlo CDC system will block the boom and prevent further movements that could compromise the safety of the operator and the vehicle.

Once the attachment family has been selected, the CDC system will determine the appropriate load diagram for the specific machine/attachment configuration.

For works with bucket, the EN15000 standard allows the intervention limits of the safety systems to be modified in order to allow smoother and simpler working. The Merlo CDC system with retracted and low boom will therefore have working parameters that will allow more efficient work, guaranteeing smoother movements than those before the introduction of the CDC system.

All information is displayed on the LCD screen, allowing the operator to use the telescopic handler simply and safely.

The system is able to recognise all the attachments produced by TreEmme.



# Contents

MERLO FORKS, FORK CARRIERS	page	6
FEM FORKS, FORK CARRIERS	page	7
LIFTING BOOM	page	8
TELESCOPIC LIFTING BOOM	page	9
FLY JIB	page	10
CRANE HOOK	page	11
HYDRAULIC WINCH ON CARRIAGE	page	12
DRUM CLAMP	page	13
FIXED WIDTH PLATFORM	page	14
FIXED WIDTH SLEWING PLATFORM	page	15
CONCRETE MIXER	page	16
EXTENSIBLE SLEWING PLATFORM	page	17
SLEWING PLATFORM WITH PROTECTION HOOD	page	18
HYDRAULIC WINCH ON CARRIAGE	page	19
DIGGING BUCKET	page	20
REHANDLING BUCKET	page	21
BULK MATERIAL BUCKET	page	22
MULTIPURPOSE BUCKET (4X1)	page	23
MULTIPURPOSE BUCKET WITH GRAB	page	24
4 SPIKES FOLDING FORK FOR STRAW BALES WITH SLIDING PROTECTION	page	25
HANDLER FOR SINGLE ROUND BALE	page	26

# Attachment alphabetical index

4 SPIKES FOLDING FORK FOR STRAW BALES WITH SLIDING PROTECTION	page	25
BULK MATERIAL BUCKET	page	22
CONCRETE MIXER	page	16
CRANE HOOK	page	11
DIGGING BUCKET	page	20
DRUM CLAMP	page	13
EXTENSIBLE SLEWING PLATFORM	page	17
FEM FORKS, FORK CARRIERS	page	7
FIXED WIDTH PLATFORM	page	14
FIXED WIDTH SLEWING PLATFORM	page	15
FLY JIB	page	10
HANDLER FOR SINGLE ROUND BALE	page	26
HYDRAULIC WINCH ON CARRIAGE	page	12
HYDRAULIC WINCH ON CARRIAGE	page	19
LIFTING BOOM	page	8
MERLO FORKS, FORK CARRIERS	page	6
MULTIPURPOSE BUCKET (4X1)	page	23
MULTIPURPOSE BUCKET WITH GRAB	page	24
REHANDLING BUCKET	page	21
SLEWING PLATFORM WITH PROTECTION HOOD	page	18
TELESCOPIC LIFTING BOOM	page	9

# Merlo forks, fork carriers

## Standard forks

SALES REF.		ZM	WEIGHT (kg)	LENGTH (mm)	MAX. CAPACITY (kg)
PAIR	SINGLE		SINGLE	SINGLE	SINGLE
A0300	A0300.1	ZM2	77	1200	1750
A0301	A0301.1	ZM2	85	1200	2250
A0302	A0302.1	ZM3	143	1200	3000
A0304	A0304.1	ZM2	87	1200	2250
A0305	A0305.1	ZM4	290	1800	5000/6000
A0306	A0306.1	ZM3	190	1200	3750
A0311	A0311.1	ZM2	87	1200	2250
A0322	A0322.1	ZM4	288	1800	5000
A0323	A0323.1	ZM3	141	1200	3750



## Extra long forks carriage

SALES REF.	ZM	WEIGHT (kg)	WIDTH (mm)	LENGTH (mm) SINGLE	MAX. CAPACITY (kg)
A0606	ZM2	420	1200	2400	1800
A0605	ZM2	410	1200	2000	2200
A0608	ZM3	640	1210	2400	2700
A0607	ZM3	580	1210	2000	3200



## Carriage with floating forks

SALES REF.	ZM	WEIGHT (kg)	WIDTH (mm)	MAX. CAPACITY (kg)
A0271	ZM2	315	1200	4500
A0291	ZM2	290	1200	4000
A0292	ZM2	305	1200	4000
A0298	ZM3	470	1200	7500

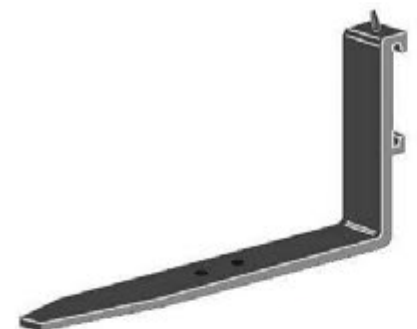


\*Approved for road use

# FEM forks, fork carriers

## FEM forks

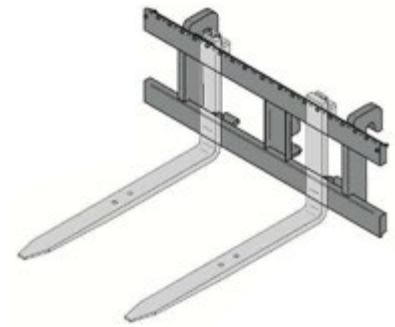
SALES REF.		FEM ATTACH.	WEIGHT (kg)	LENGTH (mm)	MAX. CAPACITY (kg)
PAIR	SINGLE		SINGLE	SINGLE	SINGLE
A0500	A0500.1	III	83	1200	2150
A0520	A0520.1	IV	130	1200	3000
A0524	A0524.1	IV	162	1200	3600
A0525	A0525.1	IV	260	1200	3750



# FEM forks, fork carriers

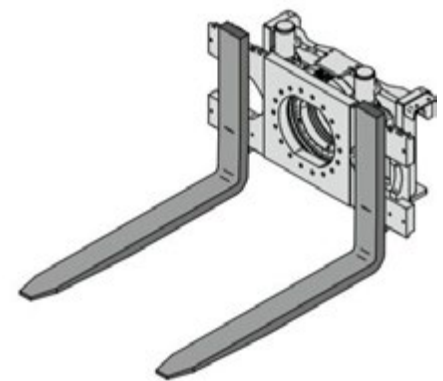
## FEM forks carriage

SALES REF.	FEM ATTACH.	ZM	WEIGHT (kg)	WIDTH (mm)	MAX. CAPACITY (kg)
A0200	III	ZM2	145	1500	4500
A0201	III	ZM2	156	1500	4500
A0230	IV	ZM3	310	1500	7500
A0240	IV	ZM3	353	1800	6000



## Rotating fork carriage

SALES REF.	FEM ATTACH.	ZM	WEIGHT (kg)	WIDTH (mm)	ROTATION MOVEMENT (°)	MAX. CAPACITY (kg)
A3210	III	ZM2	547	1200	360	3500
A3211	IV	ZM3	1015	1750	360	5000
A3212	III	ZM2	450	1000	360	2000
A3213	III	ZM2	490	1150	360	2900
A3214	IV	ZM3	885	1750	360	5500
A3217	II	2	200	1200	360	2800







## Forks sideshifter on standard carriage

SALES REF.	FEM ATTACH.	ZM	WEIGHT (kg)	WIDTH (mm)	TRANSLATION MOVEMENT (mm)	MAX. CAPACITY (kg)
A0281	III	ZM2	410	1355	+/- 154	4000
A0282	III	ZM2	380	1355	+/- 154	4000
A0283	IV	ZM3	560	1355	+/- 154	7000



## Legend

ABBREVIATIONS			
COMPACT	<b>COMP</b>	STABILIZED	<b>STAB</b>
MEDIUM CAPACITY	<b>MC</b>	HIGH CAPACITY	<b>HC</b>
TRACTOR	<b>MF</b>	ROTO	<b>ROTO</b>

APPLICATIONS	
AGRICULTURE 	INDUSTRY 
BUILDING 	ECOLOGY 

SYMBOLS
● applicable
- not applicable

**WARNING!** This information is by way of example only and does not in any way authorize the combination of the attachment to the machine model cited. Consult the use and maintenance manual of the handler for the list of authorized attachments.



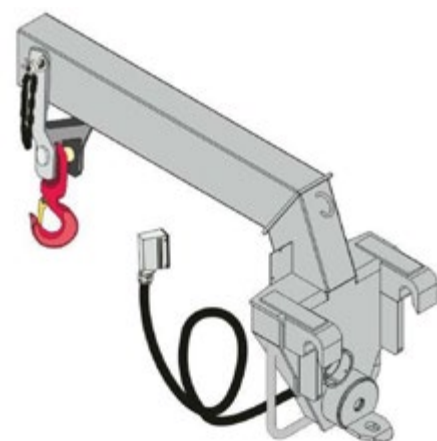


## Lifting boom

Ideal attachment for handling suspended overhanging loads

### FEATURES

- ✓ Type-approved safety hook fitted with safety tang slewing over 360°
- ✓ Ideal for handling suspended loads
- ✓ Load limiter fitted as standard
- ✓ Sturdy structure



COMMERCIAL REF. CODE	WEIGHT (kg)	WIDTH (mm)	LENGTH** (mm)	MAXIMUM CAPACITY (kg)	MACHINE RANGE					
					COMP	MC	MF	STAB	HC	ROTO
A1118B	125	495	1335	2200	●	●	●	●	-	●
A1119B	190	550	1340	3500	-	-	-	-	●	●
A1129B	415	570	1780	6000	-	-	-	-	●	-
A1110B*	125	495	1340	2000	-	●	-	●	-	-
A1111B*	190	550	1340	3500	-	-	-	-	●	-

\*Lowered

\*\*carriage – hook centre distance

REQUIREMENTS	OPTIONS	LIMITATIONS
-	-	-



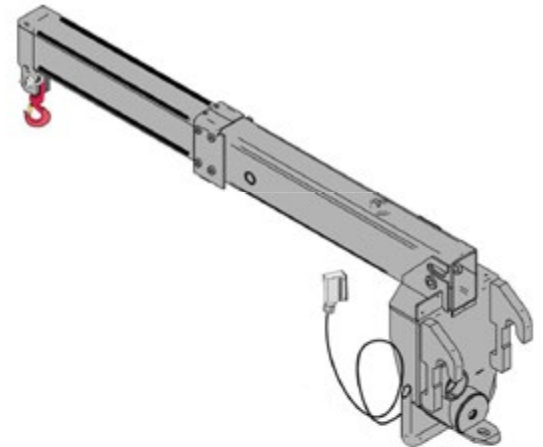


## Telescopic lifting boom

Attachment designed for handling suspended overhanging loads

### FEATURES

- ✓ Type-approved safety hook fitted with safety tang slewing over 360°
- ✓ Ideal for handling suspended loads
- ✓ Load limiter fitted as standard
- ✓ Extendable boom (725 mm)



COMMERCIAL REF. CODE	WEIGHT (kg)	WIDTH (mm)	LENGTH* (mm)	MAXIMUM CAPACITY (kg)	MACHINE RANGE					
					COMP	MC	MF	STAB	HC	ROTO
A1124B	125	500	1340	1500	●	-	-	-	-	-

\*carriage – hook centre distance

REQUIREMENTS	OPTIONS	LIMITATIONS
-	-	-



 **Fly jib**

Ideal for lifting, transport and positioning of suspended loads

**FEATURES**

- ✓ High stiffness, low-weight trellis structure
- ✓ Type-approved safety hook fitted with safety tang slewing over 360°.
- ✓ Load limiter fitted as standard
- ✓ Available in various lengths



COMMERCIAL REF. CODE	WEIGHT (kg)	WIDTH (mm)	LENGTH* (mm)	MAXIMUM CAPACITY (kg)	MACHINE RANGE					
					COMP	MC	MF	STAB	HC	ROTO
A1230B	125	400	3225	400	●	-	-	-	-	-
A1200B	112	400	3225	600	●	●	●	●	-	●
A1220B	148	450	3710	900	-	-	-	-	●	●
A1210B	120	440	1910	1500	●	●	●	●	-	●

\*carriage – hook centre distance

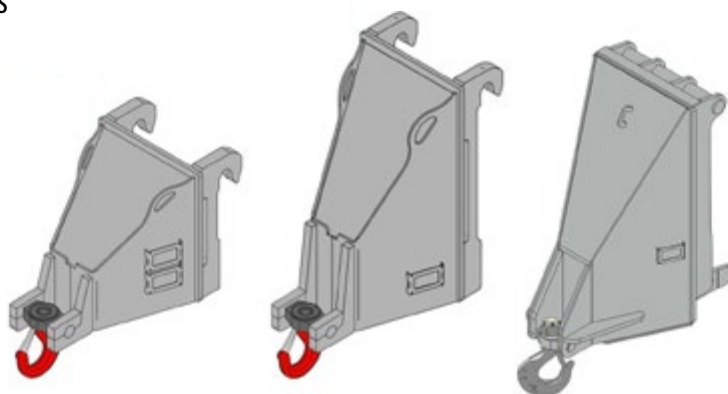
REQUIREMENTS	OPTIONS	LIMITATIONS
-	Fly jib transport equipment	-



Attachment designed for lifting and handling suspended loads

### FEATURES

- ✓ Ideal for the construction and industry sectors
- ✓ Type-approved safety hook fitted with safety tang slewing over 360°.
- ✓ Compact attachment
- ✓ Possibility of reaching the machine's maximum capacity



COMMERCIAL REF. CODE	WEIGHT (kg)	LENGTH* (mm)	MAXIMUM CAPACITY (kg)	MACHINE RANGE					
				COMP	MC	MF	STAB	HC	ROTO
A1000	100	560	5000	●	●	●	●	-	●
A1001	148	560	7500	-	-	-	-	●	●
A1003	320	675	12000	-	-	-	-	●	-

\*carriage – hook centre distance

REQUIREMENTS	OPTIONS	LIMITATIONS
-	-	-



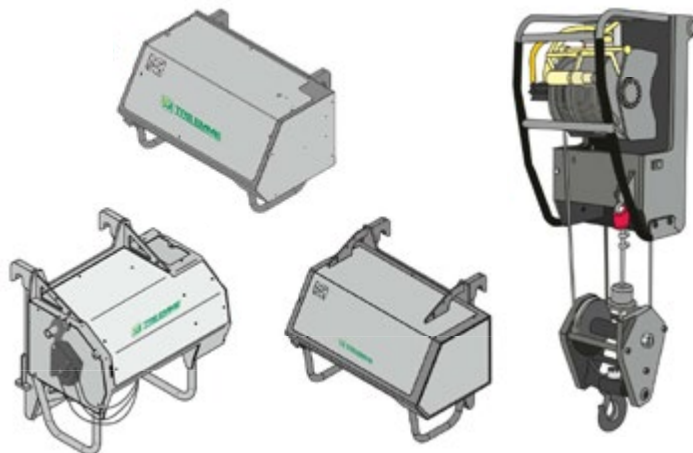


## Hydraulic winch on carriage

Attachment designed for lifting suspended loads

### FEATURES

- ✓ Fitted with an idler system to ensure cable-drum adherence
- ✓ Support available for transporting a winch on the machine (only for certain models - optional)
- ✓ Hook speed between 28 and 11 m/min
- ✓ Simplified maintenance



COMMERCIAL REF. CODE	WEIGHT (kg)	WIDTH (mm)	MAX HOOK TRAVEL (m)	MAXIMUM CAPACITY (kg)	MACHINE RANGE					
					COMP	MC	MF	STAB	HC	ROTO
A2766	575	1230	35	4500	-	-	-	●	-	●
A2765	575	1230	35	4000	-	●	●	●	●	●
A2768	575	1230	24/16*	4000/6000*	-	-	-	-	●	●
A2769	600	1230	35-24*	4500-6750*	-	-	-	-	●	●
A2772B	680	1200	13	10000	-	-	-	-	●	-

\* Pulling force with double/Pulling force with triple

REQUIREMENTS	OPTIONS	LIMITATIONS
-	Winch transport equipment (only for certain machine models)	-





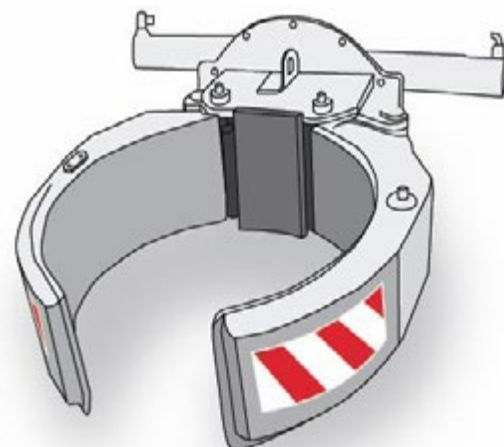



**Drum clamp**

Attachment for pick-up and handling of drums and similar materials

**FEATURES**

- ✓ *Ideal for every kind of industrial sector*
- ✓ *360° rotary clamp*
- ✓ *Handling of drums measuring 600 to 700 mm in diameter*
- ✓ *Easy to use*



COMMERCIAL REF. CODE	WEIGHT (kg)	BARREL DIAMETER MAX-MIN (mm)	MAXIMUM CAPACITY (kg)	MACHINE RANGE					
				COMP	MC	MF	STAB	HC	ROTO
A2210	275	600-700	600	●	●	●	●	-	●

REQUIREMENTS	OPTIONS	LIMITATIONS
Pre-arrangement for 2-function attachment	-	-

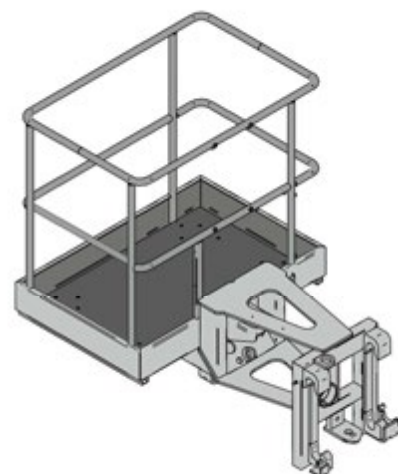


## Fixed width platform

Platform designed for safe lifting of 2 people

### FEATURES

- ✓ *Maximum safety*
- ✓ *Non-slip floor*
- ✓ *Easy access to work level*
- ✓ *Equipped with a load-sensing device with pre-alarm and alarm*



COMMERCIAL REF. CODE	WEIGHT (kg)	WIDTH (mm)	MAXIMUM CAPACITY (kg)	PERSON	MACHINE RANGE					
					COMP	MC	MF	STAB	HC	ROTO
A1745.1	230	1200	200	2	●	-	-	-	-	-
A1746.1	230	1200	300	2	-	-	-	●	-	-
A1755.1	225	1200	300	2	-	-	-	-	●	-

REQUIREMENTS	OPTIONS	LIMITATIONS
Provision for platform	-	not compatible with radial wheels. The combination of an overhead working platform to a machine must be expressly authorized by Merlo SPA



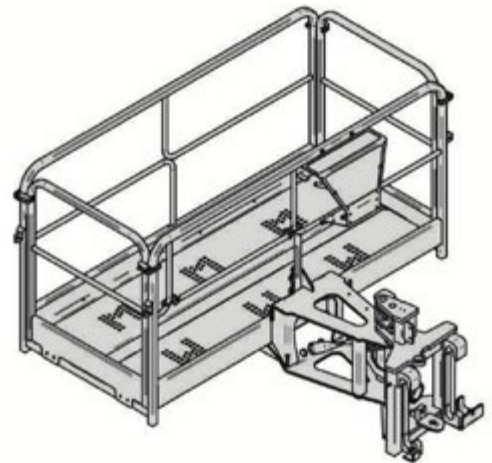


## Fixed width slewing platform

Platform designed for safe lifting of two/three people

### FEATURES

- ✓ *Hydraulically operated platform side rotation*
- ✓ *Equipped with control panel for managing machine and attachment movements*
- ✓ *Easy access to the platform area*
- ✓ *Version available with upper guard*



COMMERCIAL REF. CODE	WEIGHT (kg)	WIDTH (mm)	MAXIMUM CAPACITY (kg)	PERSON	MACHINE RANGE					
					COMP	MC	MF	STAB	HC	ROTO
A1747.1	400	2300	300	3	-	-	-	●	-	-
A1756.1	410	2300	300	3	-	-	-	●	●	-

REQUIREMENTS	OPTIONS	LIMITATIONS
Provision for platform	-	The combination of an overhead working platform to a machine must be expressly authorized by Merlo SPA

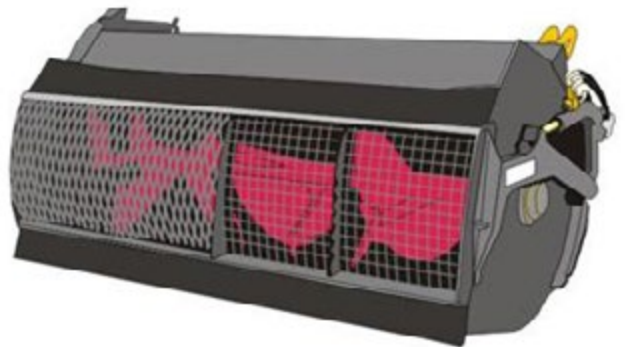


## Concrete mixer

Designed to mix and handle concrete having a maximum density of 2.500 kg/m<sup>3</sup>

### FEATURES

- ✓ Hydraulic hatch opening and closing, even with radio control
- ✓ Hydraulic control of propeller protective grid, with automatic closure device
- ✓ Wear resistant, replaceable steel propellers
- ✓ Rotating chute for delivering concrete



COMMERCIAL REF. CODE	WEIGHT (kg)	WIDTH (mm)	LOAD CAPACITY (l)	MAXIMUM CAPACITY (kg)	MACHINE RANGE					
					COMP	MC	MF	STAB	HC	ROTO
A1565	690	1060	350	875	-	-	-	●	-	-
A1570	750	1710	500	1250	-	-	-	●	●	-
A1580	880	2225	750	1875	-	-	-	-	-	-

REQUIREMENTS	OPTIONS	LIMITATIONS
Pre-arrangement for mixing bucket	Extension chute (1.5m), unload hose (1,5m), radio control	-



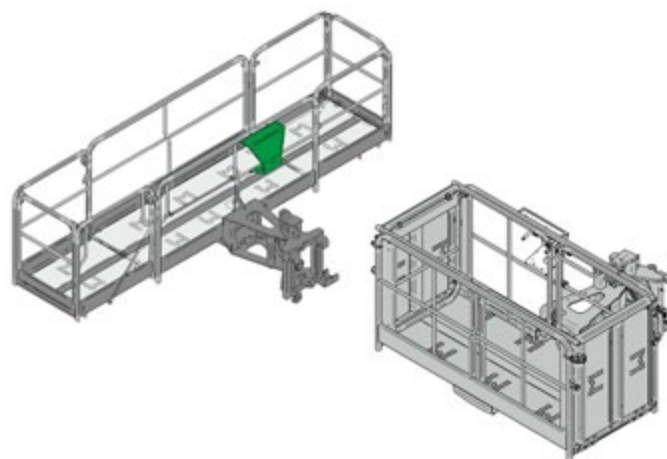


## Extensible Slewing platform

Platform designed for safe lifting of two/three people

### FEATURES

- ✓ *Lightweight structure to provide larger work area*
- ✓ *Hydraulically operated platform side rotation*
- ✓ *Manual opening of the two extending structures, performed from inside and at height*
- ✓ *Load limiter fitted as standard*



COMMERCIAL REF. CODE	WEIGHT (kg)	WIDTH (m)	MAXIMUM CAPACITY (kg)	PERSON	MACHINE RANGE					
					COMP	MC	MF	STAB	HC	ROTO
A1748.1	510	2300 - 4500	300	3	-	-	-	●	-	-

REQUIREMENTS	OPTIONS	LIMITATIONS
Provision for platform	-	The combination of an overhead working platform to a machine must be expressly authorized by Merlo SPA



## Slewing platform with protection hood

Framework made from hollowed sections, with anti-slip aluminium sheet flooring.

### FEATURES

- ✓ *Hydraulically-controlled sideways slewing.*
- ✓ *Tilting protective hood with anti-collision device.*
- ✓ *Automatic load limiter, that locks movements in case of overload.*
- ✓ *Fixed to the carriage by means of a safety bolt.*



COMMERCIAL REF. CODE	WEIGHT (kg)	WIDTH (mm)	MAXIMUM CAPACITY (kg)	PERSON	MACHINE RANGE					
					COMP	MC	MF	STAB	HC	ROTO
A1749.1	465	2300	300	3	-	-	-	●	-	-
A1757.1	465	2300	300	3	-	-	-	-	●	-

REQUIREMENTS	OPTIONS	LIMITATIONS
-	-	-

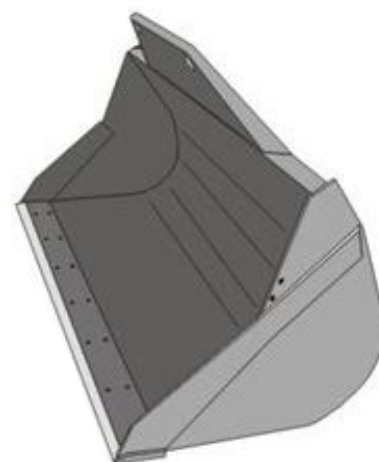


## Digging bucket

Ideal for excavation and handling of material with a maximum density of 2.250 kg/m<sup>3</sup>

### FEATURES

- ✓ *Monocoque body for better resistance*
- ✓ *Delivered with front cutter protection for on-road circulation*
- ✓ *Bucket loader cutter and wear blade with hardness 530HB*
- ✓ *Side reinforcement cutters*



COMMERCIAL REF. CODE	WEIGHT (kg)	WIDTH (mm)	CAPACITY* (l)	MAXIMUM CAPACITY (kg)	MACHINE RANGE					
					COMP	MC	MF	STAB	HC	ROTO
A0699	300	1840	550	1250	●	-	-	-	-	-
A0700	360	2000	800	1800	●	-	-	-	-	●
A0701	400	2240	900	2025	●	●	●	●	-	●
A0707	400	2440	1000	2250	-	-	-	-	●	●
A0704**	565	2440	1200	2700	-	-	-	-	●	●
A0703	910	2440	1800	4050	-	-	-	-	●	-

\*heaped full capacity

\*\*triple Tac-Lock

REQUIREMENTS	OPTIONS	LIMITATIONS
-	Teeth, Blade wear	-



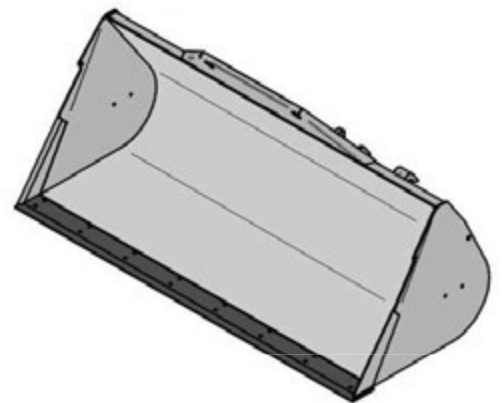


## Rehandling bucket

Bucket designed to handle materials having a maximum density of 1.800 kg/m<sup>3</sup>

### FEATURES

- ✓ Suitable for levelling, shifting and handling
- ✓ Monocoque body with external reinforcements for better resistance
- ✓ Delivered with front cutter protection for on-road circulation
- ✓ Bucket loader cutter and wear blade with hardness 530HB



COMMERCIAL REF. CODE	WEIGHT (kg)	WIDTH (mm)	CAPACITY* (l)	MAXIMUM CAPACITY (kg)	MACHINE RANGE					
					COMP	MC	MF	STAB	HC	ROTO
A0710	390	2240	1250	2250	●	●	●	●	-	●
A0712	410	2400	1350	2430	●	●	●	●	-	●
A0715	400	2240	1250	1800	-	●	●	●	-	-
A0717	710	2500	1800	3240	-	-	-	-	●	●

\*heaped full capacity

REQUIREMENTS	OPTIONS	LIMITATIONS
-	Teeth, Blade wear	-





## Bulk Material Bucket

Bucket designed to handle bulk materials having a maximum density of 900 kg/m<sup>3</sup>

### FEATURES

- ✓ Ideal for bulk materials
- ✓ Monocoque body with external reinforcements for better resistance
- ✓ Sides with steel ribbing
- ✓ Wear blade with double bolted bevel available



COMMERCIAL REF. CODE	WEIGHT (kg)	WIDTH (mm)	CAPACITY* (l)	MAXIMUM CAPACITY (kg)	MACHINE RANGE					
					COMP	MC	MF	STAB	HC	ROTO
A0713	435	2000	1700	1530	●	-	-	-	-	-
A0714	485	2240	1800	1620	●	●	●	●	-	●
A0720	490	2400	2000	1800	●	●	●	●	-	●
A0721	510	2400	2000	1800	-	-	-	-	●	●
A0780	605	2400	2500	2250	●	●	●	●	-	●
A0781**	740	2500	2500	2250	-	-	-	-	●	●
R2200**	890	2500	3000	2700	-	-	-	-	●	●
A0785	1050	2500	3500	3150	-	-	-	-	●	-
A0786	1400	2500	5000	4500	-	-	-	-	●	-

\*heaped full capacity

\*\*triple Tac-Lock

REQUIREMENTS	OPTIONS	LIMITATIONS
-	Blade wear	-

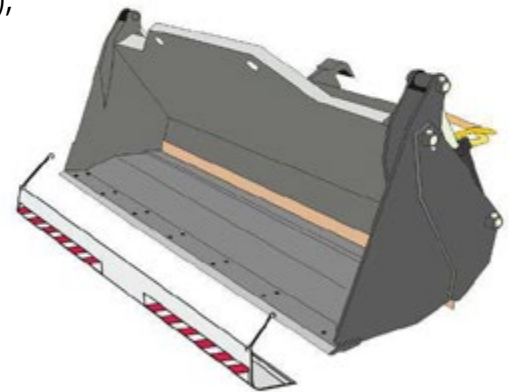


## Multipurpose bucket (4x1)

Ideal attachment for various processing operations: excavation (max density 2.250 kg/m<sup>3</sup>), rehandling (max density 1.800 kg/m<sup>3</sup>), bulk handling (max density 900 kg/m<sup>3</sup>)

### FEATURES

- ✓ Suitable for levelling, pushing, excavating, handling
- ✓ Mobile part for unloading on to truck or trailers
- ✓ Triple Tack Lock as standard (excluding A0810)
- ✓ Delivered with front cutter protection for on-road circulation



COMMERCIAL REF. CODE	WEIGHT (kg)	WIDTH (mm)	BLADE WIDTH (mm)	CAPACITY* (l)	CAPACITY (kg)	MACHINE RANGE					
						COMP	MC	MF	STAB	HC	ROTO
<b>DIGGING BUCKET</b>											
A0810	630	1905	1840	600	1350	●	-	-	-	-	-
A0800	720	2305	2240	800	1800	●	●	●	●	●	●
A0820	780	2305	2240	1000	2250	●	●	●	●	●	●
<b>REHANDLING BUCKET</b>											
A0870	840	2305	2240	1250	2250	●	●	●	●	●	●
<b>BULK MATERIAL BUCKET</b>											
A0860	1220	2585	2500	3000	2700	-	-	-	-	●	-

\*heaped full capacity

REQUIREMENTS	OPTIONS	LIMITATIONS
-	Teeth (excavation only), Blade wear	-



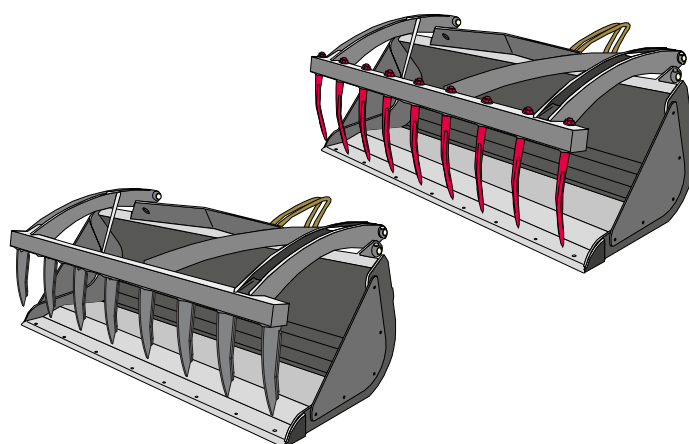


## Multipurpose bucket with grab

Attachments designed to handle materials having a maximum density of 1.800 kg/m<sup>3</sup>

### FEATURES

- ✓ *Monocoque body for better resistance*
- ✓ *Removable sides for more volume*
- ✓ *Available with welded or forged teeth, with closure flush with or against walls to meet any operating requirement*
- ✓ *Hydraulically-operated grab*



COMMERCIAL REF. CODE	WEIGHT (kg)	WIDTH (mm)	LOAD CAPACITY (t)	MAXIMUM CAPACITY (kg)	MACHINE RANGE					
					COMP	MC	MF	STAB	HC	ROTO
A0836	497	1840	700	1260	●	-	-	-	-	-
A0841	570	2000	900	1700	●	●	●	●	-	-
A0840	605	2240	1000	1900	●	●	●	●	-	-
A0846	804	2400	2350	4230	-	-	-	-	●	-
A0837	Lateral panels for A0836									
A0847	Lateral panels for A0846									
A0848	Lateral spikes									

**Warning:** weight varies depending on the teeth chosen. weight of forged teeth is indicated

REQUIREMENTS	OPTIONS	LIMITATIONS
-	Blade wear	-



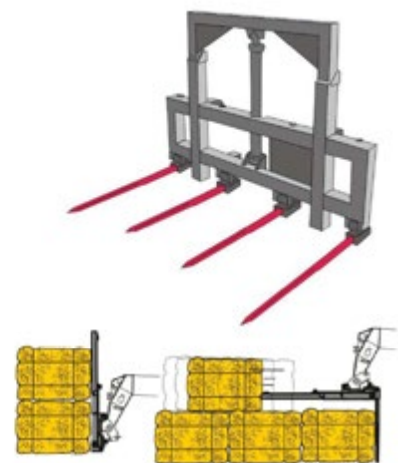


## 4 spikes folding fork for straw bales with sliding protection

Attachment suitable for handling one or two bales

### FEATURES

- ✓ Suitable for storing bales up to roof level
- ✓ Hydraulically-operated height-adjustable protection
- ✓ Interchangeable and tip-over high-penetration tips
- ✓ Guard height from 1.320 mm to 1.900 mm



COMMERCIAL REF. CODE	WEIGHT (kg)	WIDTH (mm)	MAXIMUM CAPACITY (kg)	MACHINE RANGE					
				COMP	MC	MF	STAB	HC	ROTO
A2340	320	1720	1500	●	●	●	●	-	-

REQUIREMENTS	OPTIONS	LIMITATIONS
-	-	-

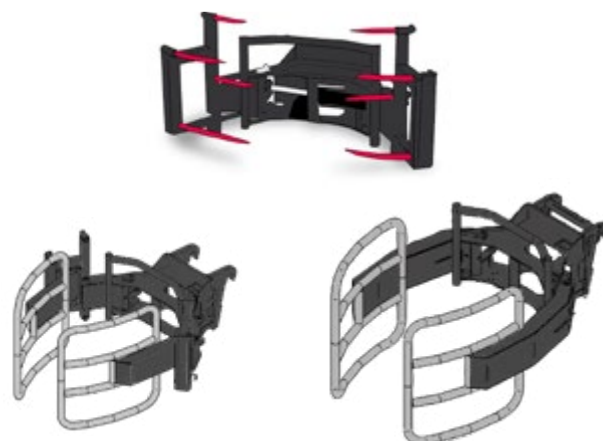


## Handler for single round bale

Attachment designed for handling round bales

### FEATURES

- ✓ Version available for round bales with or without bands
- ✓ Easy transitions from banded to non-banded rotary bales for multi-purpose versions
- ✓ Available for various bale dimensions
- ✓ Independent closure movement for individual sides



COMMERCIAL REF. CODE	WEIGHT (kg)	WIDTH (mm)	ROTARY BALE DIAMETER		MAXIMUM CAPACITY (kg)	MACHINE RANGE					
			ØP (m)	ØF (m)		COMP	MC	MF	STAB	HC	ROTO
A2405	323	1495	1,2-2	1,4-1,8	1200	●	●	●	●	●	-

ØP: round bale without band

ØF: round bale with band

REQUIREMENTS	OPTIONS	LIMITATIONS
-	-	-

# Note





# Note





## ATTACHMENTS

The data, features and illustrations contained in this document are for indicative purposes only, and are not binding. Merlo Spa pursues a policy of continual research and development, and as such, our products may feature characteristics that differ from those described or may be subject to modification without prior notice. The products illustrated may include optional equipment.



**MERLO S.P.A.**

Via Nazionale, 9 - 12010 S. Defendente di Cervasca - Cuneo - Italia

Tel. +39 0171 614111 - Fax +39 0171 684101

[www.merlo.com](http://www.merlo.com) - [info@merlo.com](mailto:info@merlo.com)

Y497AU  
1020